



AEROSOL DELIVERY UNIT USER'S MANUAL

Safety Precautions

- Use only with a conventional, hand-held aerosol can.
- Do not attach or spray if the aerosol can is leaking.
- Do not inject aerosol into electric outlets or cable boxes.
- Turn valve to 'Off' (horizontal) position when can is not in use.
- Disconnect the delivery system when the aerosol can is empty of liquid.
- When detaching the delivery system, first turn valve to the Off position (horizontal), pull up on the lock ring, then lift unit off the can.
- Only use the recommended unit with the proper aerosol: Red hose units with Whitmire aerosol cans; Blue hose units with Waterbury aerosol cans.

Suggested Uses

This delivery system can be used with hand-held aerosol cans to apply solvent- or water-based insecticides. Treatment sites include exposed surfaces, cracks-and-crevices, and voids recommended by aerosol product labels.

Before Starting

- Inspect the coiled hose for breaks
- Inspect the junction between the coiled hose and the spray handle, and the coiled hose and the On/Off valve
- Turn valve to Off (horizontal) position
- Inspect spray tip and crack-and-crevice straw for dirt and obstruction

Connecting The Unit

- The aerosol can must be upright and on a level surface
- Remove the spray tip from the top of the aerosol can to expose the short plastic stem
- Center the Aerosol Unit above the stem, then push down firmly to insert the stem into the bottom of the Unit
- Push down the lock ring to secure the Aerosol Unit to the top of the can
- Attach the spray tip from the aerosol to the short stem on the application handle
- Turn the valve to the On position (vertical) to permit fluid from the can to full the coiled hose



Disconnecting The Unit

- Before disconnecting the unit, be certain the aerosol can is empty.
- Turn valve to the Off position and empty the hose by spraying into an approved location
- With the valve in the 'Off' position, pull up on the locking ring, then lift the canister clamp straight up and off the can

Care and Maintenance

- Keep the Unit away from extreme heat and sharp edges that can damage the hose.
- Always use the spray tip supplied with the aerosol can
- Replace Unit when hose, valve, or locking ring are damaged

Trouble Shooting

Problem: Clamp does sit securely on the top of the aerosol can

Solution: • It may be the incorrect Unit for the aerosol can: Red-hose Units are for Whitmire cans; Blue-hose Units are for Waterbury cans

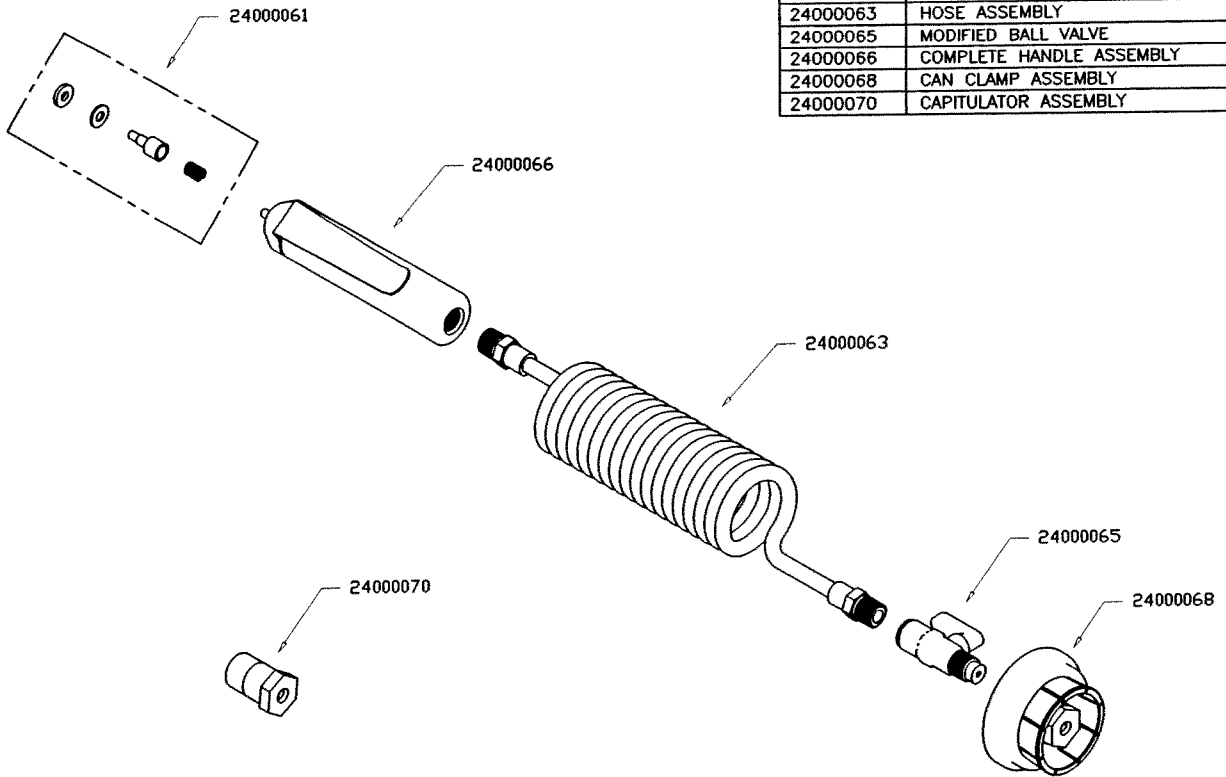
Problem: Fluid is released from the top of the can when Unit is removed

Solution: • Reduce the pressure and fluid in the hose by turning the valve Off and then making the last application. This will empty the hose.

B&G Help Line
800-544-8811

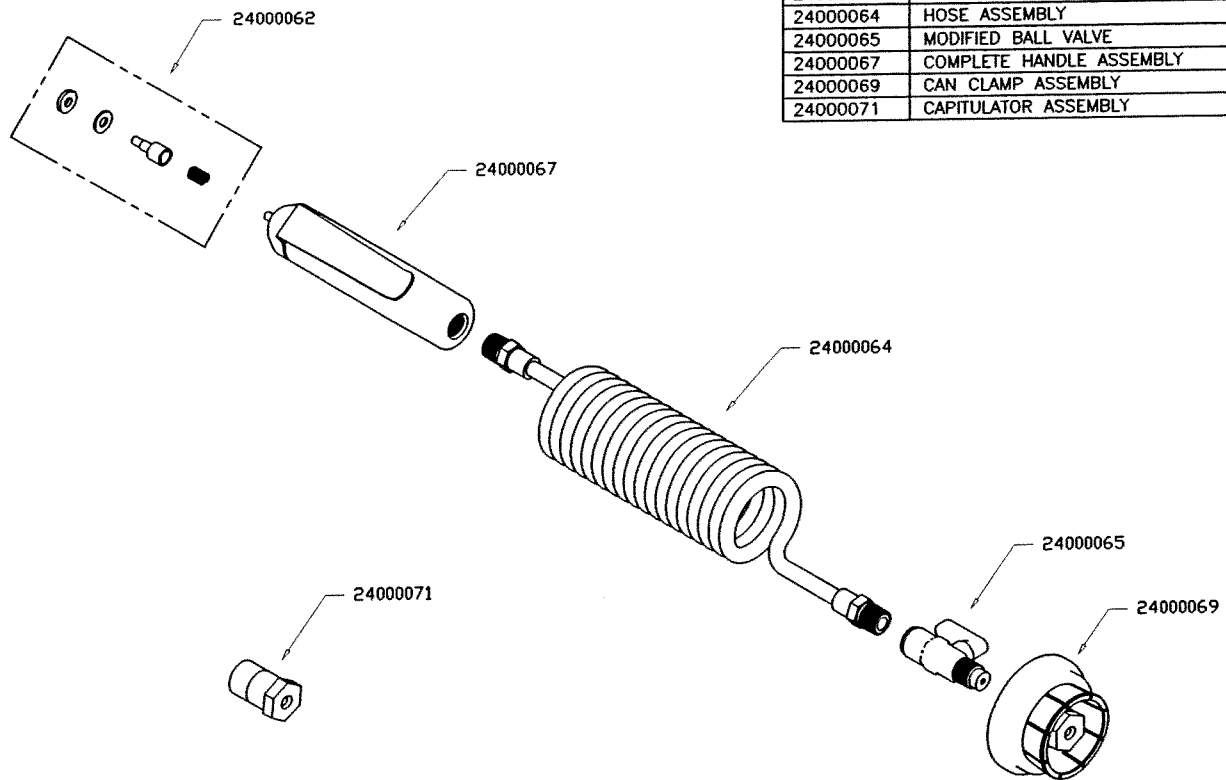


135 REGION SOUTH DRIVE • JACKSON, GA 30233
Toll Free 800-544-8811 • Phone 678-688-5601
www.bgequip.com • Fax 678-688-5633



NUMBER	DESCRIPTION
24000061	HANDLE REPAIR KIT
24000063	HOSE ASSEMBLY
24000065	MODIFIED BALL VALVE
24000066	COMPLETE HANDLE ASSEMBLY
24000068	CAN CLAMP ASSEMBLY
24000070	CAPITULATOR ASSEMBLY

DR. SKIP SMITH	NAME:	WATERBURY PARTS LIST	
UPDATE: 11-06-07			
DATE: 11-06-07			
SCALE: 1 TO 2			
		B & G EQUIPMENT COMPANY DRAWING No. 95138444 135 Region South Drive 678 688-5601 Jackson, GA 30233 toll free: 800 544-8811 website: www.bgequip.com fax: 678 688-5633	



NUMBER	DESCRIPTION
24000062	HANDLE REPAIR KIT
24000064	HOSE ASSEMBLY
24000065	MODIFIED BALL VALVE
24000067	COMPLETE HANDLE ASSEMBLY
24000069	CAN CLAMP ASSEMBLY
24000071	CAPITULATOR ASSEMBLY

DR. SKIP SMITH	NAME:	WHITMIRE PARTS LIST	
UPDATE: 11-06-07			
DATE: 11-06-07			
SCALE: 1 TO 2			
		B & G EQUIPMENT COMPANY DRAWING No. 95138444 135 Region South Drive 678 688-5601 Jackson, GA 30233 toll free: 800 544-8811 website: www.bgequip.com fax: 678 688-5633	