



**MSP**  
**605-000-110**



**MSA**  
**605-000-010**

**Airo Mini Sprayer**  
**Manual**

# Safety Notices

*Airofog 16oz Mini Sprayers model MSA and MSP referred to in this document are designed for use by qualified and experienced personnel. Please read this instruction thoroughly before usage.*

## Safety Instruction

- Keep out reach of children
- Before use, check condition and proper function of the sprayer
- Only pump up and down and maintain sprayer in an upright position or a vertically hanging position
- Do not leave insecticide filled sprayer out in direct sunlight
- Note wind direction when in use to avoid spraying in areas that aren't supposed to be treated and yourself
- Never spray into electrical outlets or cable boxes
- When using metal extension close to electrical equipment, pay attention to avoid electric shock
- Do not operate a sprayer that has visible wear on parts
- Always wear personal protective equipment (PPE) when handling dangerous substances
- Application of insecticides should follow manufacturer recommendations and must be in compliance with local regulations in regards to the application of pesticides. We are not liable for consequences of improper application
- When unscrewing cap, never point the lance at others or yourself
- Never blow through clogged nozzles or valves with your mouth
- Before repair and maintenance, drain insecticide and release all pressure from sprayer
- Always replace damaged, or malfunctioning parts

## Caution



It is the operator's responsibility to ensure the safe use of the sprayer and that they're fully compliant with national or local regulations governing compression sprayer and applications of pesticides.



AIROFOG USA is not liable for damages that has occurred due to improper use/repair/maintenance, the use of non-recommended or non OEM parts, and acceptance of damaged/broken sprayers for any reason.



Airofog USA  
15074 Aviation Loop Drive  
Brooksville, FL 34604  
USA

+1-352-593-5152  
airofog@airofogusa.com  
www.airofogusa.com

# Care & Maintenance

## ***Cleaning the sprayer***

- Rinse tank thoroughly with water
- Add water and detergent to the tank
- Attach pump cap and tighten it
- Shake vigorously to clean inside of tank
- Pressurize the tank
- Flush the hose and trigger valve
- Empty the tank and refill with clean water
- Flush the hose and trigger valve once more
- Empty remaining water
- Sprayer should be cleaned thoroughly weekly

## ***Pump & trigger valve maintenance***

- Piston o-ring and trigger valve o-ring should be greased every 90 days
- Lightly grease threads on the inside of the filler cap with marine or automotive grease every 90 days
- Check valve at the bottom of the pump cylinder for wear or loose fit. This valve prevents liquid from entering pump. If liquid is leaking into pump, valve should be replaced

## ***Airofog Guarantee***

Airofog USA guarantees the Airomini Sprayers to be free of defects in materials and workmanship to the original purchaser for a period of one(1) year on labor and parts which are not subject to usual wear. During this period, AIROFOG USA will replace and/or repair the parts and manufacturer faults on the exclusive judgment of our technical department free of charge.

**Shipping and dispatch of defect equipment will be at original purchaser's expense**

Guarantee does not cover damages occurred during transport or by incorrect handling, tampering, use, or the use of non-recommended products and so on.

Under no circumstances will AIROFOG USA be liable for damages due to improper use or application.

Under no circumstances will AIROFOG USA be responsible for damages to any persons or property.



Airofog USA  
15074 Aviation Loop Drive  
Brooksville, FL 34604  
USA

+1-352-593-5152  
airofog@airofogusa.com  
www.airofogusa.com

## ***After every use***

- Empty tank
- Drain the hose and lance
- Carefully inspect all gaskets and hoses as well as the other fittings for wear
- Replace any worn parts as necessary

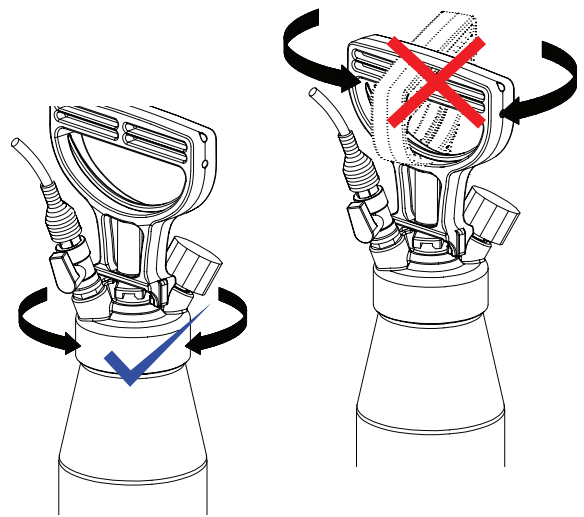
## ***Clogged nozzle and extension straw***

- DO NOT insert metal objects into tip
- Clean with soft bristle brush to free clogs
- Detergents or solvents can be used to soak tip
- DO NOT use ammonia; it can corrode brass
- Run warm water over and into extension straw
- Blow compressed air through the back of the nozzle and extension straw

# Operation & Repair

## Opening the cap

- To open the bottle, hold body and turn cap counter clockwise
- Follow insecticide's label instructions and fill the mixed water or oil based insecticide into the bottle.
- Avoid power based products to prevent the nozzle becoming clogged
- To close, hold body and turn cap clockwise until tight.
- **Never open or close bottle by turning the handle as this may severely damage the handle**



## Pressurizing the sprayer

- Press down then turn the pump handle 90 degrees to unlock it.
- Pump the plunger up and down until required pressure is reached
- Lock pump handle back in original position by pumping it down and turning the handle 90 degrees back into its original position
- **Never exceed maximum psi ratings when pressurizing the sprayer**

## Repair

- Modification of sprayer may result in harm or injury to both sprayer and user
- If any parts show signs of damage or wear, replace immediately
- Always use OEM parts for repair and maintenance

### Application rates of multi-nozzle (water @ 40psi)

Fine fan	12oz./min
Coarse fan	26oz./min
Pin stream	11oz./min
CC straw	1.7oz./min

### Application rates of aerosol nozzle (water @ 60psi)

Fine, white	2oz./min
Medium, blue	3oz./min
Coarse, red	4.4oz./min
CC tip	3.8oz./min



Airofog USA  
15074 Aviation Loop Drive  
Brooksville, FL 34604  
USA

+1-352-593-5152  
airofog@airofogusa.com  
www.airofogusa.com

# Specifications

	<i>Mini-Spray Aerosol (MSA)</i>	<i>Mini-Spray Pistol Grip (MSA)</i>
Bottle	stainless steel AISI 304, 1/5 Gal.	
Working Capacity	16oz	
Max. Working Pressure	up to 116psi	
Pump Cylinder	stainless steel AISI 304, with Viton™ check-valve	
Spray Hose	heavy duty coiled	
Pressure Gauge	0-150 psi	
Pressure Release Valve	supplied as standard	
Discharge Valve	brass trigger with Flexi-pro blue extension wand	brass, drip-free trigger valve with multi-nozzle and C&C straw
Carry Pouch	supplied as standard	
Total Height (bottle with handle)	13.5 in	
Net Weight	2 lbs	2.6 lbs

※ Specifications are subject to change without notice or obligation.

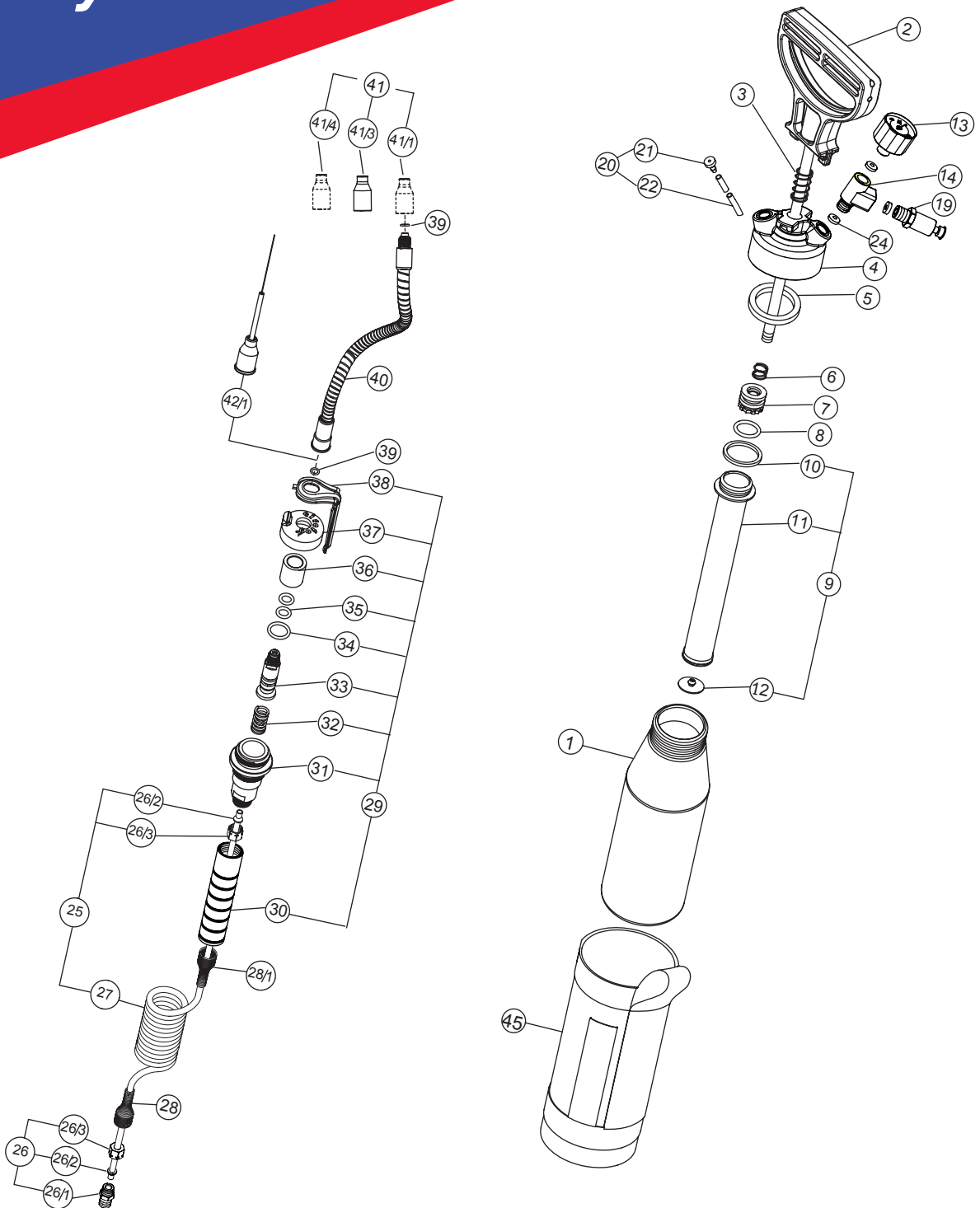
Trademarks appearing within are the property of Airofog Machinery Co., Ltd. or Airofog German  
Other trademarks are the property of their respective owners.



Airofog USA  
15074 Aviation Loop Drive  
Brooksville, FL 34604  
USA

+1-352-593-5152  
airofog@airofogusa.com  
www.airofogusa.com

# Mini Sprayer Aerosol Assembly



Airofog USA  
15074 Aviation Loop Drive  
Brooksville, FL 34604  
USA

+1-352-593-5152  
airofog@airofogusa.com  
www.airofogusa.com

# Mini Sprayer Aerosol Parts List

<i>Pos.</i>	<i>Part no.</i>	<i>Description</i>
1	603-001-000	Bottle
2	605-002-000	Piston rod
3	604-003-000	Spring
4	605-004-000	Bottle cap
5	605-005-000	Viton gasket
6	505-001-020	Spring
7	605-007-000	Piston
8	605-008-000	O-ring
9	605-009-000	Pump cylinder assembly
10	605-010-000	Gasket
11	605-011-000	Cylinder tube
12	604-012-000	Check valve
13	604-013-000	Pressure gauge
14	510-003-030	T-connector
19	604-019-000	Pressure release valve
20	603-020-000	Supply tube assembly
21	604-021-000	Tube adapter
22	603-022-000	Supply tube
24	505-002-020	Gasket
26	601-004-010	Hose adapter assembly
26/1	601-004-011	Adapter
26/2	601-004-012	Cutting ring
26/3	601-004-013	Retaining nut

<i>Pos.</i>	<i>Part no.</i>	<i>Description</i>
27	601-004-130	Coiled hose; Blue
28	601-004-040	Hose protective spring
28/1	603-004-040	Hose protective spring
29	601-007-000	Flexi-valve assembly
30	601-007-010	Valve handle
31	601-007-020	Valve body
32	505-003-014	Spring
33	601-007-040	Seat
34	601-007-060	Viton o-ring
35	935-041-000	Viton o-ring
36	601-007-070	Seat sleeve
37	601-007-080	Valve cap
38	601-007-090	Trigger
39	601-007-100	Viton o-ring
40	601-008-010	Spiral wand extension
41	601-009-000	Aerosol nozzle set
41/1	601-009-030	Fine nozzle; white (optional)
41/3	601-009-050	Medium nozzle; blue
41/4	601-009-070	Coarse nozzle; red (optional)
42/1	604-010-012	Extension; 12cm
45	605-020-010	Airofog carrying pouch

## Service kits

25	604-025-100	Hose replacement kits (Pos: 26/2x2, 26/3x2,27)
	605-025-100	Cap/Pump service kit (Pos: 5, 8, 10, 12, 20, 24x3)
	601-023-200	Flexi-valve service kit (Pos: 34, 35x2, 39x3)



Hose replacement  
kit (604-025-100) not  
included with purchase

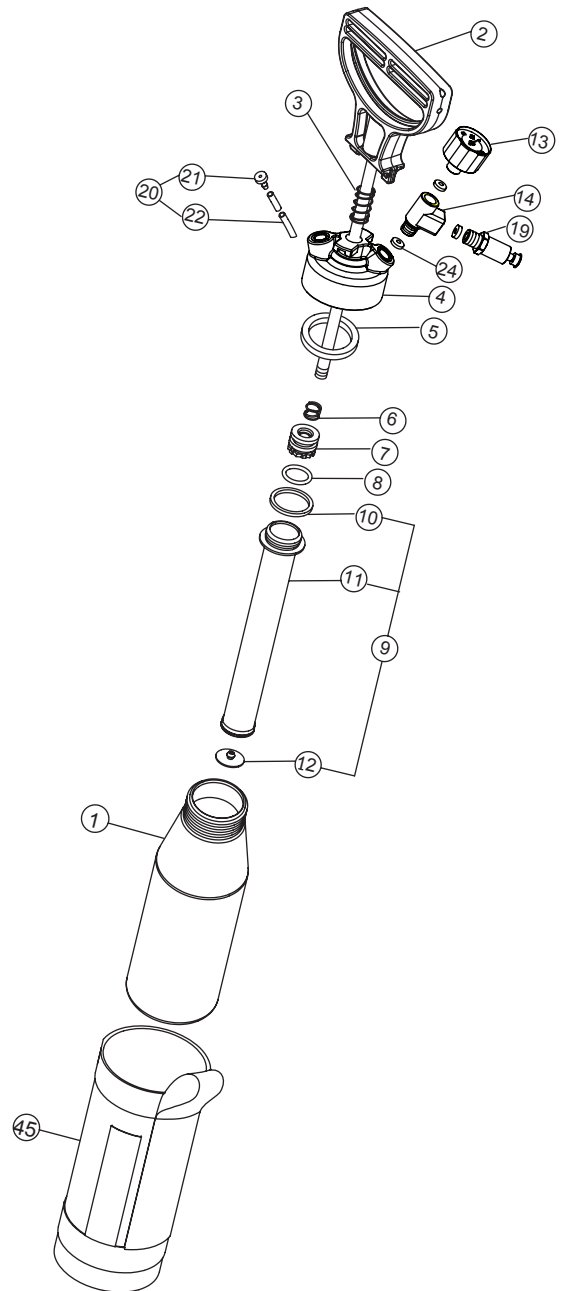
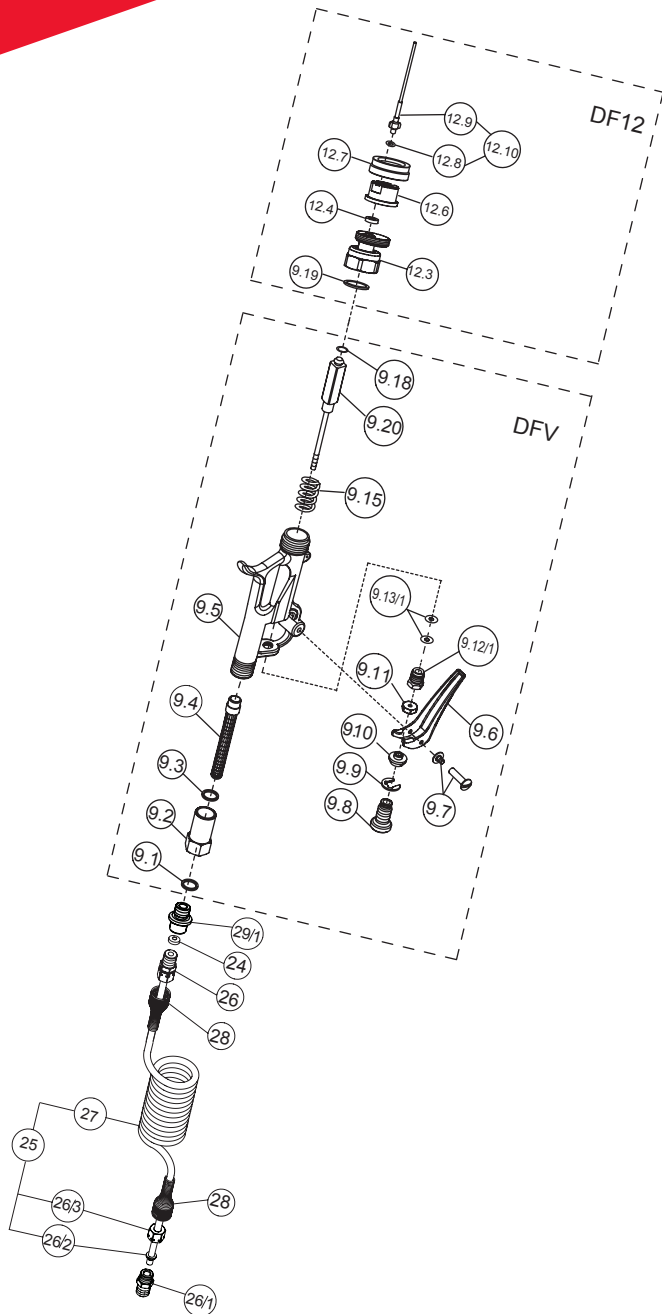


Airofog USA  
15074 Aviation Loop Drive  
Brooksville, FL 34604  
USA

+1-352-593-5152  
airofog@airofogusa.com  
www.airofogusa.com



# Mini Sprayer Pistol Grip Assembly



Airofog USA  
15074 Aviation Loop Drive  
Brooksville, FL 34604  
USA

+1-352-593-5152  
airofog@airofogusa.com  
www.airofogusa.com



# Mini Sprayer Pistol Grip Parts List

Pos.	Part no.	Description
1	603-001-000	Bottle
2	605-002-000	Piston rod
3	604-003-000	Spring
4	605-004-000	Bottle cap
5	605-005-000	Viton gasket
6	505-001-020	Spring
7	605-007-000	Piston
8	605-008-000	O-ring
9	605-009-000	Pump cylinder assembly
10	605-010-000	Gasket
11	605-011-000	Cylinder tube
12	604-012-000	Check valve
13	604-013-000	Pressure gauge
14	510-003-030	T-connector
19	604-019-000	Pressure release valve
20	603-020-000	Supply tube assembly
21	604-021-000	Tube adapter
22	603-022-000	Supply tube
24	505-002-020	Gasket
26	601-004-010	Hose adapter assembly
26/1	601-004-011	Adapter
26/2	601-004-012	Cutting ring
26/3	601-004-013	Retaining nut
27	601-004-130	Coiled hose; Blue
28	601-004-040	Hose protective spring

## Service kits

25	604-025-100	Hose replacement kits (Pos: 26/2x2, 26/3x2,27)
	605-035-100	Cap/Pump service kit (Pos: 5, 8, 10, 12, 20, 24x3)
	604-036-000	DF service kit (Pos: 24, 9.3, 9.13/1, 9.18, 9.19x2, 12.4, 12.8)

Pos.	Part no.	Description
29	604-029-010	Female adapter
DFV	500-009-000	DF valve assembly
9.2/1	501-009-020	Housing strainer
9.3	500-009-030	Gasket
9.4	500-009-040	Strainer
9.5	500-009-050	Valve body
9.6	500-009-060	Trigger
9.7	500-009-070	Trigger screw
9.8	500-009-080	Safety lock nut
9.9	500-009-090	Snap ring
9.10	500-009-100	Adjusting screw
9.11	500-009-110	Lock nut
9.12/1	500-009-121	Sealing nut
9.13/1	500-009-131	Viton o-ring
9.15	500-009-150	Seat spring
9.18	500-009-180	Viton o-ring
9.20	500-009-200	Long seat stem
12	500-012-000	Multi-nozzle assembly
9.19	505-009-150	Gasket
12.3	500-012-030	Multi-nozzle holder
12.4	500-012-040	Gasket
12.6	500-012-060	Multi-nozzle
12.7	500-012-070	Retainer
12.8	935-018-000	Viton o-ring
12.9	505-012-090	C&C Straw
12.10	505-012-100	Straw with o-ring
45	605-020-010	Airofog carrying pouch



Airofog USA  
15074 Aviation Loop Drive  
Brooksville, FL 34604  
USA

+1-352-593-5152  
airofog@airofogusa.com  
www.airofogusa.com



Airofog USA  
15074 Aviation Loop Drive  
Brooksville, FL 34604  
USA

+1-352-593-5152  
[airofog@airofogusa.com](mailto:airofog@airofogusa.com)  
[www.airofogusa.com](http://www.airofogusa.com)