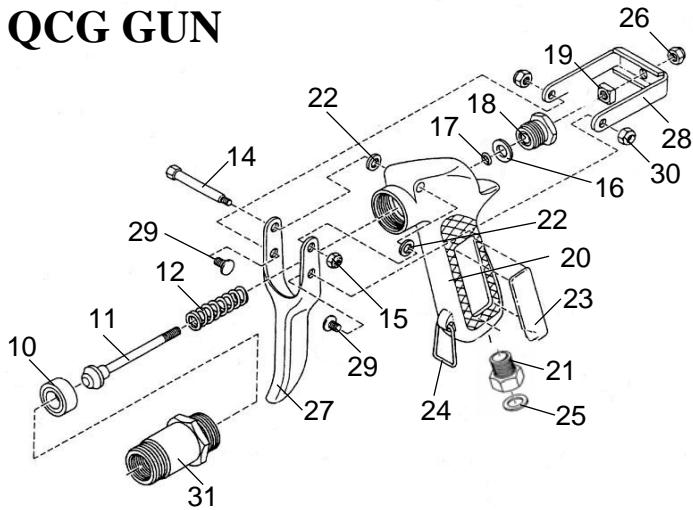
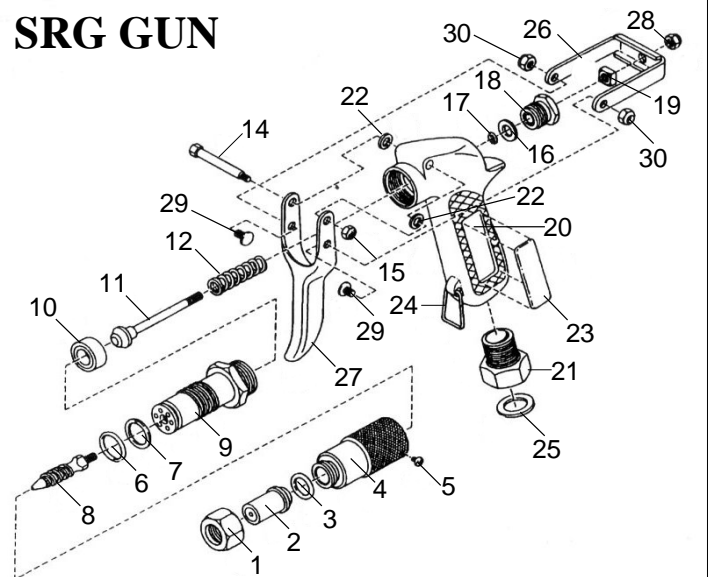


QCG GUN**SRG GUN****SRG AND QCG GUNS**

#	Part	Description	#	Part	Description
1	34501	Nozzle nut	16	34516-V	Gasket
2	34502-6	Nozzle orifice	17	34517-V	O-Ring
3	34503-V	O-Ring P-14	18	34518	Gland nut
4	34504	Adj. sleeve	19	34519-S	Valve stem nut
5	34505	Sleeve screw	20	34520	Handle
6	34506-V	O-Ring P-18	21	34521	1/2 MPT adapter
7	34507	Back-up O-ring	22	34522	Pivot bolt washer
8	34508	Pattern valve	23	34590-S	Label
9	34509	Valve body	24	34596	Trigger lock
10	34510	Valve seat	25	HWN	Gasket for <u>QCG</u> gun
11	34511	Shutoff valve	26	34519-N	Lock nut, valve stem
12	34512	Shutoff valve spring	27	34513-A	Trigger piece
13	34513	Trigger assembly*	28	34513-B	Valve yolk
14	34514	Pivot bolt	29	34513-C	Trigger hinge bolt
15	34515-N	Pivot bolt nut	30	34513-D	Hinge bolt nut
			31	34563	Nosepiece

* Trigger assembly = #s 27- 30