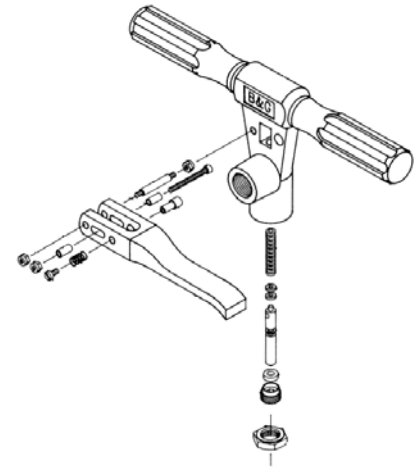
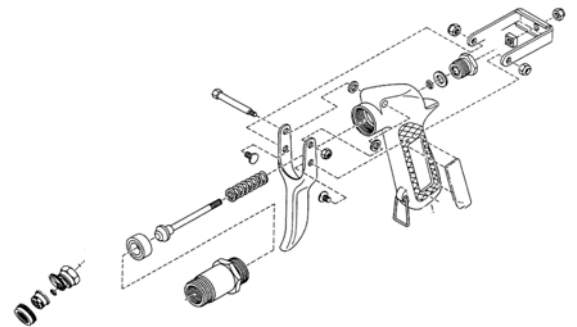
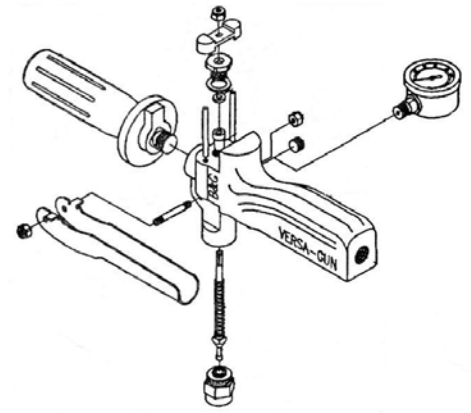




REPAIR AND MAINTENANCE MANUAL

Professional
Pest Control Application
Equipment

Revised 9/06



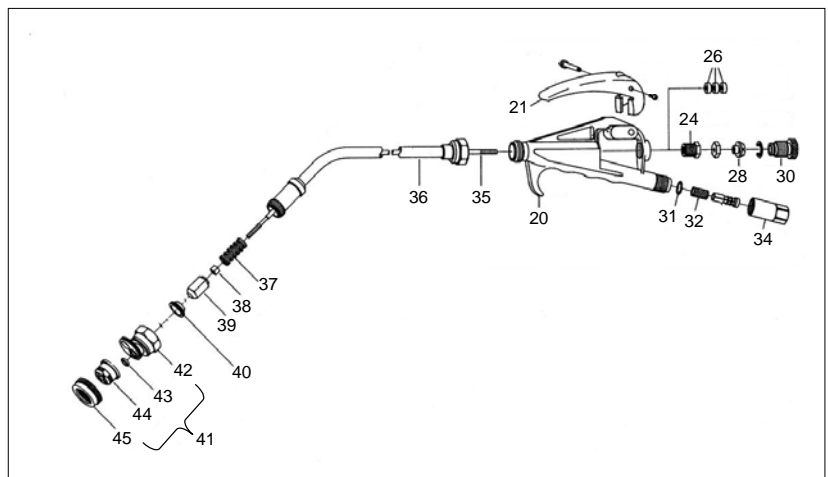
B&G Equipment Company
135 Region South Drive, Jackson, GA 30233
Phone: 800.544.8811 678.688.5601
Fax: 678.688.5633

Table of Contents

Prime Line Tank Sprayers	Pages
Extenda-Ban Valve, Tank, Parts	3, 4
Ban-Drip, XR Valve Parts	5
Repair Kits	6, 7
Valve Repair Procedures	8 - 10
Sprayer, Valve Trouble-shoot	11,12
Ban-Drip Trouble-shoot	13
Termiticide Application Tools	
Versagun, Versatool Parts	14
QCG, SRG Parts	15
Termite Tool Pipe Sets	16
484 / 486 Versatool Parts	17
Sub-Slab Injector Parts	18
Repair Kits	19
Termite Tools Prior to 2005	20, 21
Robco Termite Tool Prior to 2005	22
Versagun, Versatool Trouble-shoot	23, 24
QCG, SRG Trouble-shooting	25
Sub-Slab Injector Trouble-shoot	26
Pest Control Equipment	
Electric Duster Parts	27
Multidose Bait Gun Parts, Trouble-shoot ..	27
Pistol Pro Parts, Trouble-shoot	28, 29
Duster Parts	30
Wood Treatment System Parts	31, 32
Wood Treatment System Trouble-shoot..	33
Electric Fogger Parts	34
Electro Sprayer Parts	35
Fogger, Duster Trouble-shoot	36
Miscellaneous Repair Parts	37- 40

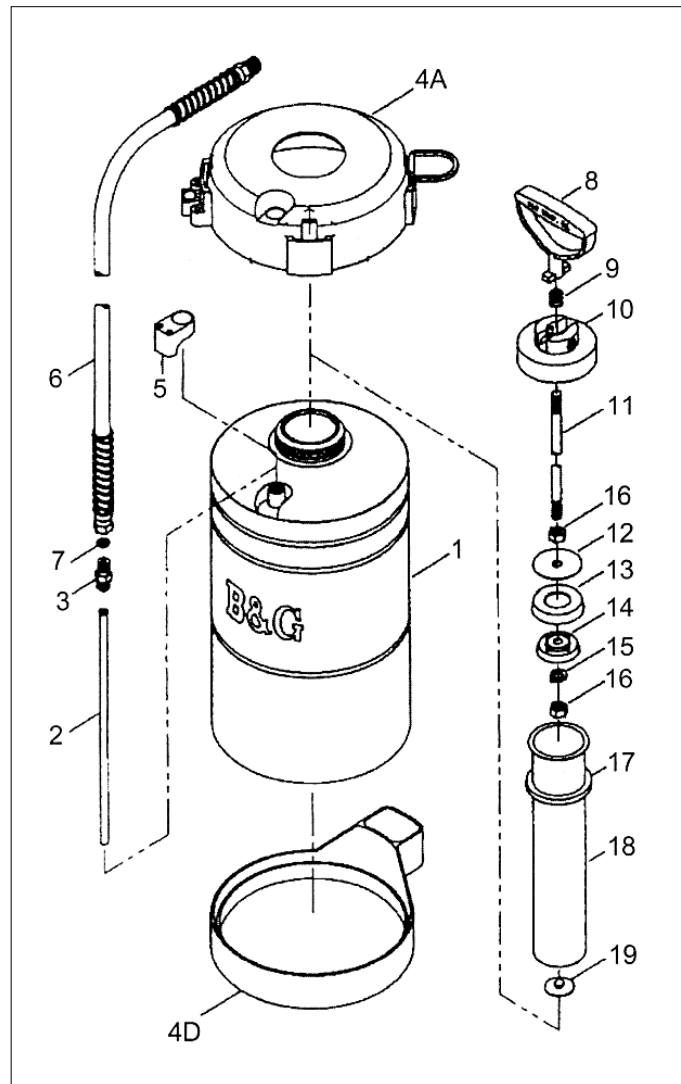


Extenda-Ban Valve



Extenda-Ban Valve

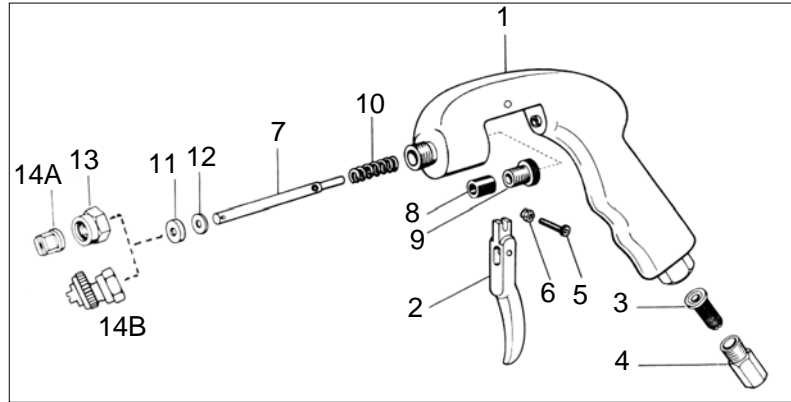
#	Part	Order #	Description
20	VB-147	22044450	Valve body
21	VT-140	22042800	Valve Trigger Kit (includes SH-142 Screw housing, TS-141 Trigger screw)
24	PN-150-2	22042455	Packing nut (stainless steel)
26	VP-151	22045099	Valve packing washer
28	AS-148	22044500	Adjustment Screw Kit (includes LN-149 Lock nut, SR-161 Snap ring)
30	SL-162	22046700	Safety lock nut
31	NG-146	22044200	Nylon gasket
32	MS-145-50	22043800	Mesh Strainer Kit (includes SS-144 Strainer support)
34	SA-143	22043400	Strainer housing
35	VC-152	22045300	Valve cable, 9 in
	VC-153	22045400	Valve cable, 18 in.
	VC-163	22045450	Valve cable, 24 in.
36	VE-154	22045500	Valve extension, 8 in. (brass)
	VE-155	22045600	Valve extension, 18 in. (brass)
	VE-164	22045650	Valve extension, 24 in. (brass)
	VE-154-SS	22045510	Valve extension, 8 in. (stainless steel)
	VE-155-SS	22045610	Valve extension, 18 in. (stainless steel)
	VE-164-SS	22045710	Valve extension, 24 in. (stainless steel)
37	VS-156	22045700	Valve spring
38	SSL-157	22045900	Seat stem nut
39	SS-158	22046100	Seat stem
40	SP-159	22046300	Soft seat gasket
41	5850-CC	22049466	Multeejet tip assembly
42	9751-M	22034700	Multeejet tip holder
43	4190	22034700	Viton gasket
44	5800-CC	22049467	Multeejet CC tip
45	4596	22034500	Tip retainer



Stainless Steel Sprayer

<u>#</u>	<u>Part</u>	<u>Description</u>	<u>#</u>	<u>Part</u>	<u>Description</u>	
1	T-50	Tank, ½ gallon	8	P-275	Pump handle	
	T-100	Tank, 1 gallon		9	P-276	Pump lock spring
	T-200	Tank, 2 gallon		10	P-274	Pump cap
	T-300	Tank, 3 gallon		11	PH-273	Plunger rod, ½ gal.
	T-500	Tank, 5 liter		PO-273	Plunger rod, 1 gal.	
2	HS-297	Siphon tube, ½ gal.	PF-265	Plunger rod, 2 gal., 5 L		
	OS-297	Siphon tube, 1 gal.	PT-265	Plunger rod, 3 gal.		
	TS-297	Siphon tube, 2 gal.	12	P-272	Back plate	
	THS-297-01	Siphon tube, 3 gal.	13	NP-277	Polypropylene cup	
	FS-297	Siphon tube, 5 liter	14	NP-270	Cup spreader plate	
3	HA-298	Adapter, hose	15	P-269A	Lock washer	
4A	TT-1	Tank top (1 gal.)	16	P-269-SS	Plunger nut	
4D	TB-1	Tank bottom	17	P-268	Pump gasket	
5	5700-H	Tip holder	18	PH-267	Pump tube, ½ gal.	
6	D-50	Hose, 4 ft. red		PO-267	Pump tube, 1 gal.	
7	D-51-P	Hose washer		PF-267	Pump tube, 2 gal.	
				PT-267	Pump tube, 3 gal.	
				19	PV-266	Check valve

Ban-Drip Valve

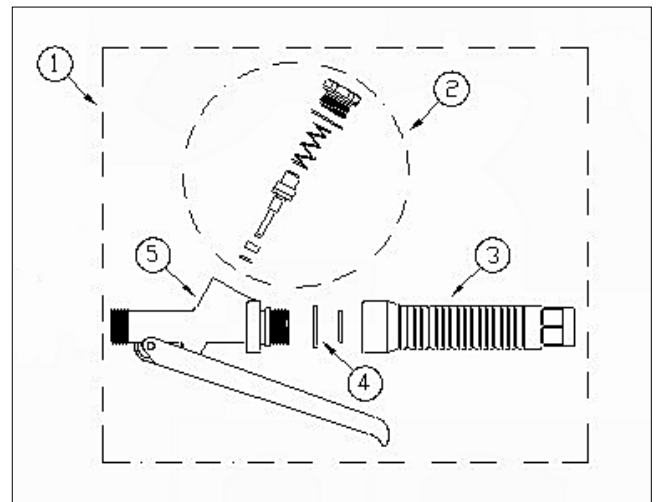


Ban-Drip Valve

#	Part	Description
1	VB-40	Valve body
2	VT-41	Valve trigger
3	SA-42	Mesh strainer
4	SB-43	Pipe thread strainer
5	TS-44	Trigger screw
6	TN-45	Trigger nut
7	VR-46	Valve rod and pin
8	PN-47	Brass packing nut
9	RP-48	Rod packing
10	RS-49	Rod spring
11	SGH-50	Seat gasket holder
12	TSG-51	Seat gasket
13	TC-52	Tip cap
14A	800067	Fine fan tip
14B	5850	Multiejet tip assembly

XR VALVE

#	Order #	Description
1	22037500	Valve assembly
2	22037510	XR Valve Kit
		Valve stem sub-assembly
		Brass guide
		O-ring #1
		Gasket, copper
		Valve spring
3	22037503	Handle
4	22037508	O-ring (Viton)
5	22037501	XR Valve body



REPAIR KITS

EXTENDA-BAN VALVE REPAIR KIT GD-124 (Order # 22050100)

1	PV-266	22027200	Check valve
1	P-268	22028000	Tank gasket
1	NP-270	22028600	Spreader plate
1	NP-277	22029000	Plastic plunger cup
1	P-276	22029900	Lock spring
1	D-51-P	22030400	Washer (hose coupling)
1	4190	22034700	Gasket (Viton)
1	NG-146	22044200	Gasket (Nylon)
3	VP-151	22045099	Valve packing
1	VS-156	22045700	Valve spring
1	SP-159	22046300	Soft seat gasket

BAN-DRIP VALVE REPAIR KIT GB – 114 (Order # 22049900)

1	PV-266	22027200	Check valve
1	P-268	22028000	Tank gasket
1	NP-270	22028600	Spreader plate
1	NP-277	22029000	Plastic plunger cup
1	P-276	22029900	Lock spring
1	D-51-P	22030400	Washer (hose coupling)
1	4190	22034700	Gasket (Viton)
1	RP-48	22041100	Packing rod
1	RS-49	22041300	Rod spring
1	TSG-51	22041700	Seat gasket (Teflon)

XR GUN REPAIR KIT GT-100 (#22049600)

1	PV-266	22027200	Check valve
1	P-268	22028000	Tank gasket
1	NP-270	22028600	Spreader plate
1	NP-277	22029000	Plastic plunger cup
1	P-276	22029900	Lock spring
1	D-51-P	22030400	Washer (hose coupling)
1	4817	22037800	Valve stem sub-assembly
1	4932	22038200	Brass guide
1	-----	22038900	O-ring #1
1	4143	22039100	Gasket, copper
1	VS-156	22045700	Valve spring

XR GUN FIRST AID KIT FA-600-T (#22050200)

1	PV-266	22027200	Check valve
1	P-268	22028000	Tank gasket
1	NP-270	22028600	Spreader plate
1	NP-277	22029000	Plastic plunger cup
1	P-276	22029900	Lock spring
1	D-51-P	22030400	Washer (hose coupling)
1	4190	22034700	Gasket (Viton)
1	4817	22037800	Valve stem sub-assembly
1	4932	22038200	Brass guide
1	4578	22038700	Brass cap
1	-----	22038900	O-ring #1
1	4143	22039100	Gasket, copper
1	VS-156	22045700	Valve spring

EXTENDA-BAN VALVE FIRST AID KIT FA-600-D (Order #22050400)

6	PV-266	22027200	Check valve
4	P-268	22028000	Tank gasket
1	NP-270	22028600	Spreader plate
2	NP-277	22029000	Plastic plunger cup
1	P-276	22029900	Lock spring
1	D-51-P	22030400	Washer (hose coupling)
3	4190	22034700	Gasket (Viton)
1	TS-141		Trigger screw
1	SH-142	22043200	Trigger screw housing
1	MS-145-50	22043800	Mesh screen (filter)
2	NG-146	22044200	Gasket (Nylon)
1	AS-148	22044500	Adjustment screw
1	LN-149		Locknut
1	VP-151	22045099	Valve packing
2	VS-156	22045700	Valve spring
1	SS-158	22046100	Seat stem
2	SP-159	22046300	Soft seat gasket

EXTENDA-BAN VALVE REPAIR AND MAINTENANCE

1. Detach the Valve and Extension from the hose. Carefully remove the mesh strainer. Squeeze the Trigger to drain all liquid from the Valve.
2. Remove the Trigger (1), then the Snap ring (5), Safety lock nut (6), the Adjustment screw (4), the Lock nut (3), and then the Packing nut (2).

The Trigger can be removed by moving it to the back of the Valve.

3. Unscrew the extension at the front of the valve. The extension can be pulled away from the valve along with the interior steel cable.

4. Packing washers (white) that were at the end of the cable will remain inside the valve. Carefully dislodge and remove these washers.

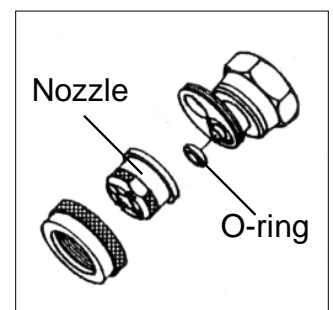
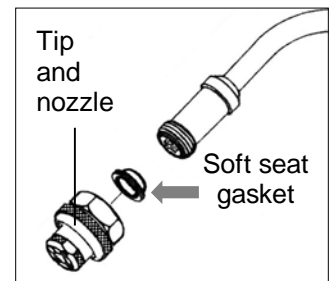
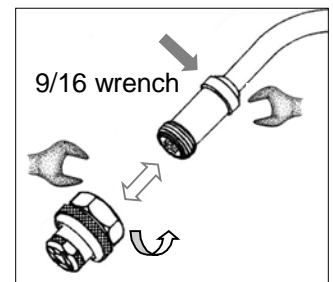
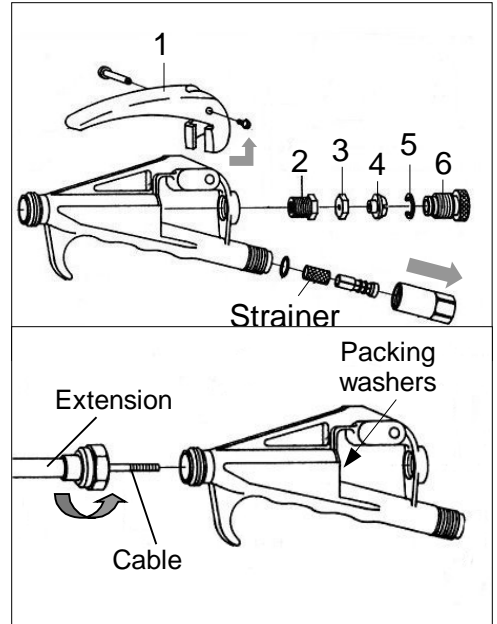
5. Remove the tip and nozzle assembly from the end of the extension, be careful to keep the Soft seat gasket.

Use 2 wrenches to loosen the tip: one (5/8 ") to hold the extension, and a second to loosen the tip

Note: The extension may become twisted and unusable unless 2 wrenches are used to remove the tip.

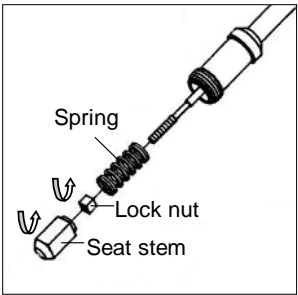
Inspect the soft seat gasket and the small O-ring on Multeejet tips, replace if damaged or worn. Replace the nozzle if it is more than old.

6. Push the cable out the front of the Extension to expose the Spring, the small Lock nut, and the Seat stem.



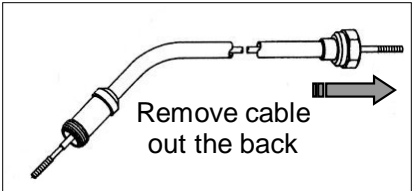
Rev 1/05

Unscrew the Seat stem and Lock nut, and slide off the Spring. Place these small pieces in a closed container (they are easily misplaced).



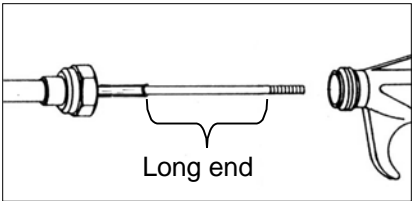
- 7. Remove the stainless steel cable by pulling it slowly through the back end of the Extension – you cannot pull the cable through the front of the Extension.

The threaded end of the cable at the nozzle end is short and easily passes through the curve in the Extension. The end of the cable at the valve end is long and will not pass through the curve.



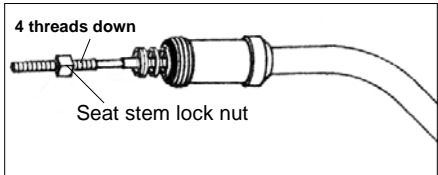
Replace the cable if it is worn or damaged.

- 8. Re-assemble the Extension by inserting the short end of the cable into the back so that threads are exposed at the nozzle end.

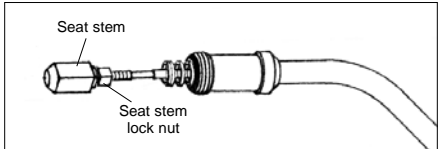


- 9. Slide the Spring onto the end of the cable, then the Seat stem lock nut.

Screw lock nut only about 4 threads down, towards the end of the cable.

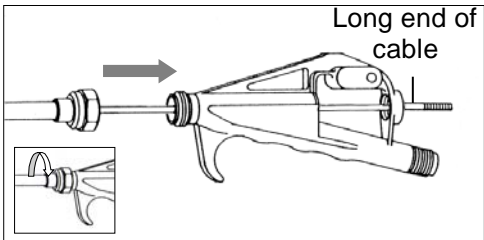


- 10. Attach the Seat stem onto the cable, in front of the Lock nut. Hand tighten Seat stem against the lock nut.



- 11. Insert the long end of the cable into the front end of the valve. Push the cable through the valve until the end is through the back of the valve.

Tighten the Extension to the valve body.



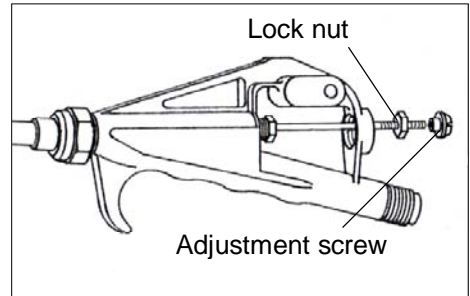
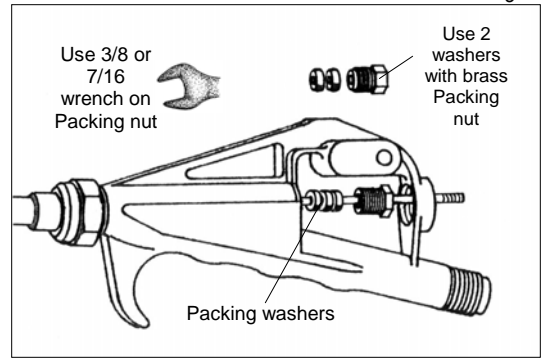
- 12. Insert 2 or 3 Packing washers onto the cable, then slide on the Packing nut

behind the washers and tighten.

Valves built before 1999 have a stainless steel Packing nut that takes 3/8 wrench, there is no internal O-ring, these valves need 3 washers.

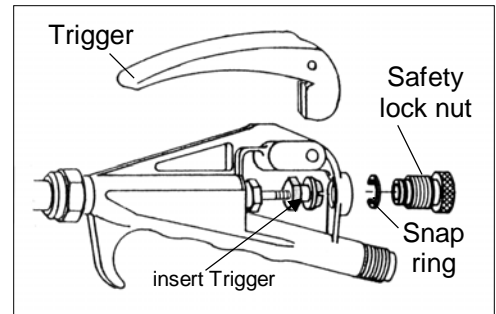
Valves built between 1999 and 2000 have a brass Packing nut + O-ring, this nut takes a 7/16 wrench, these valves need 2 washers.

Valves built after 2000 have a stainless steel Packing nut + O-ring, this nut takes a 3/8 wrench, and these valves require 2 washers.



13. Screw onto the cable the Lock nut and the Adjustment screw. Turn the Adjustment screw so the end of the cable is level to the top of the slot in the top of the screw. Tighten the Lock nut against the screw.

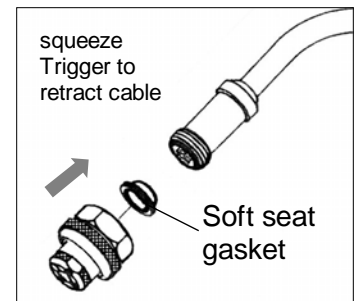
14. Attach the valve trigger by inserting it into the space between the Lock nut and Adjustment screw, then insert the Trigger screw.



15. Screw the Safety lock nut into the valve body, and then attach the Snap ring.

16. Attach the tip and nozzle to the end of the Extension, make certain the Soft seat gasket is facing correctly. The small end faces the Extension.

Press the Trigger to retract the Seat stem into the Extension, then attach the tip and nozzle.



TANK SPRAYER PROBLEMS AND SOLUTIONS

P. Tank is not holding pressure; pump is working but no pressure remains in the tank.

S. Check pump gasket, replace if cracked.

P. Tank is not getting pressure; the pump seems to be working but no pressure builds in the tank.

S. Grease plastic cup in pump tube, or replace cup and spreader plate.

P. Pump cylinder fills with liquid, pumping is difficult.

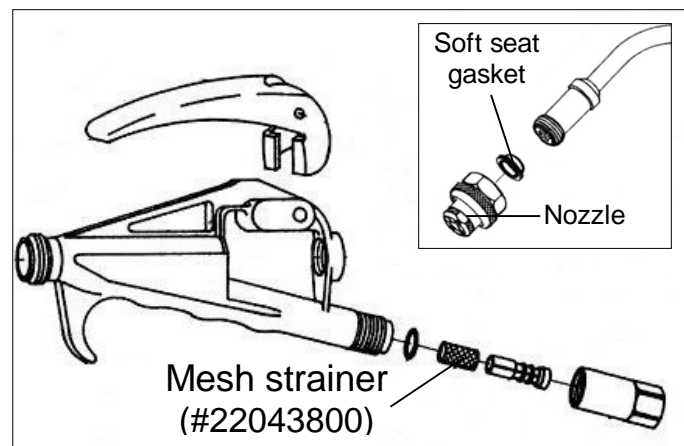
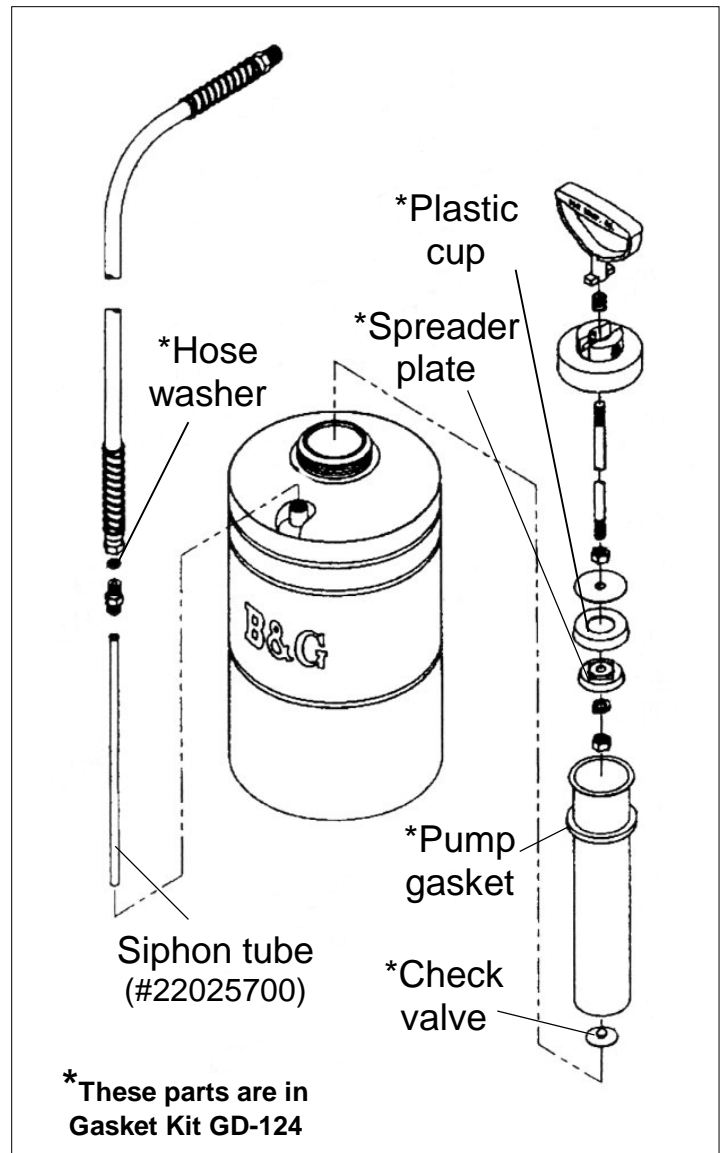
S. Clean dirt from bottom of pump tube, replace check valve at bottom.

P. Won't spray; tank holds pressure but there is no spray from the nozzle, this is a new sprayer.

S. Replace Hose washer, it may have been damaged when hose was attached to tank; the junction may have been over-tightened!

P. Tank holds pressure, but there is no spray from nozzle (old sprayer).

- S.** (1) Siphon tube is clogged or cracked, it must be cleaned or replaced.
- (2) Clean the mesh strainer at the end of the hose near the valve.
- (3) Clean the nozzle with a soft brush.
- (4) Clean or replace Soft seat gasket at end of the extension.



TANK SPRAYER PROBLEMS AND SOLUTIONS

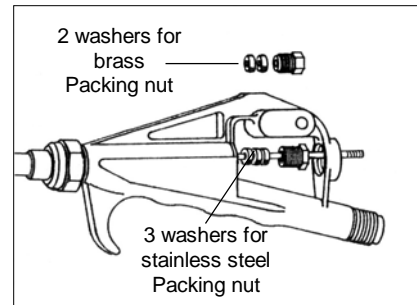
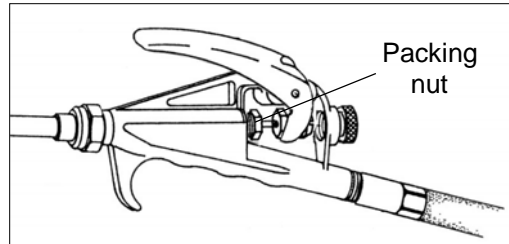
(page 2)

P. Valve is leaking around the packing nut, and the handle is wet.

- S.** (1) Tighten the packing nut.
(2) Replace the valve packing washers.

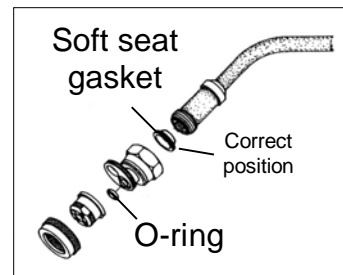
2 washers with brass packing nut

3 washers with stainless steel packing nut



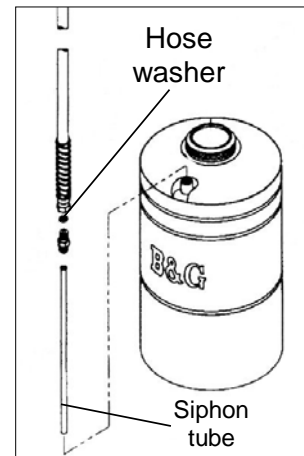
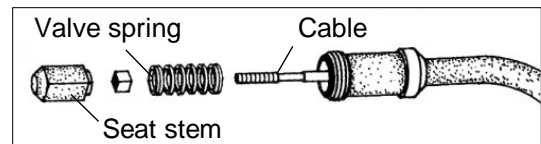
P. Extension is leaking at the tip, a constant drip from the tip.

- S.** (1) Clean or replace nozzle O-ring.
(2) Clean end of seat stem.
(3) Clean or replace soft seat gasket.
(4) Replace the valve spring.



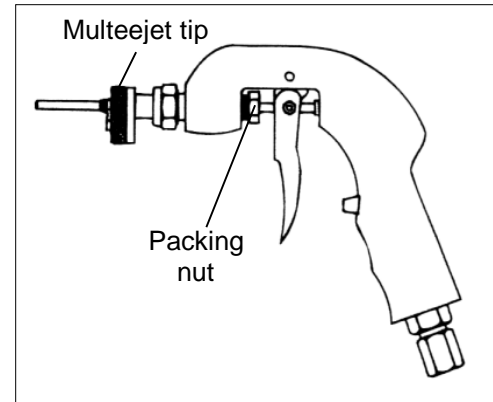
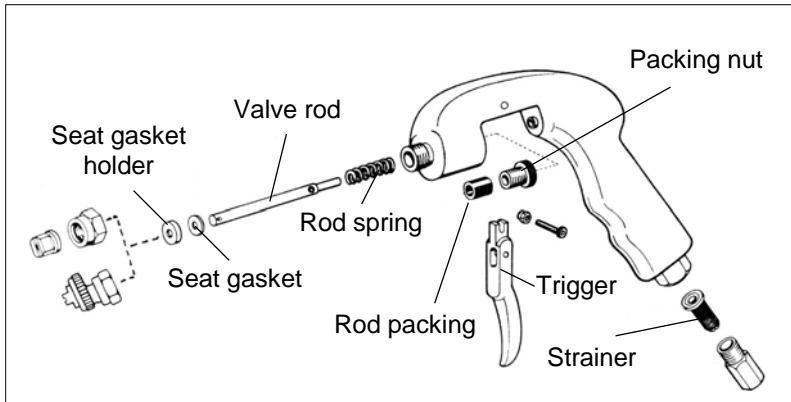
P. Hose is leaking at the connection with the tank; leaks when tank is pressurized.

- S.** Replace the hose washer at the end of the hose; do not over-tighten the connection when reconnecting the hose to the tank.



BAN-DRIP AND BAIT GUN

PROBLEMS AND SOLUTIONS

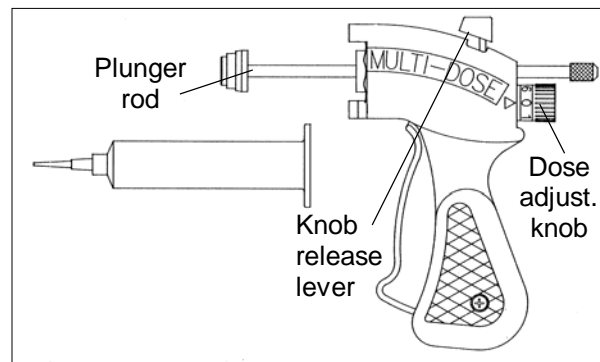


P. Gun is leaking from the tip.

S. Replace the seat gasket. Loosen the Tip cap. Pull the trigger and remove the tip cap and nozzle, then insert a new gasket, pull the trigger and re-assemble the tip.

P. Leaking occurs around the packing nut and trigger.

S. Tighten the packing nut; if leaking continues, then replace the rod packing. Remove the packing nut and then remove the rod packing.



P. Not enough or no bait delivered at setting No. 1.

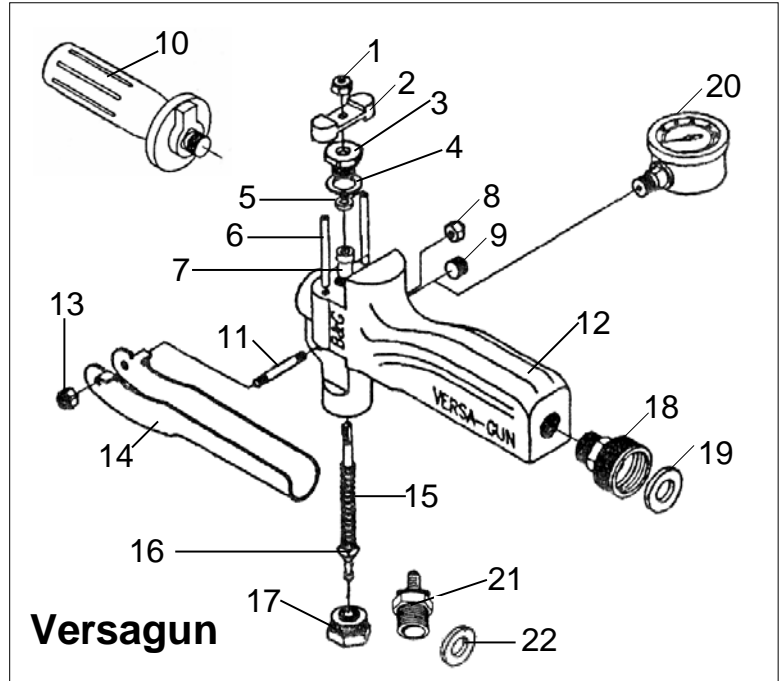
S. Tip may be clogged. Some baits do not work well at setting No. 1, a larger setting may be necessary.

P. Trouble releasing plunger rod.

S. Lightly depress the knob release lever at top of gun, pull back the rod and apply 3-in-1 oil. Move oiled rod back and forth. (Squeeze trigger along with the knob release lever.)

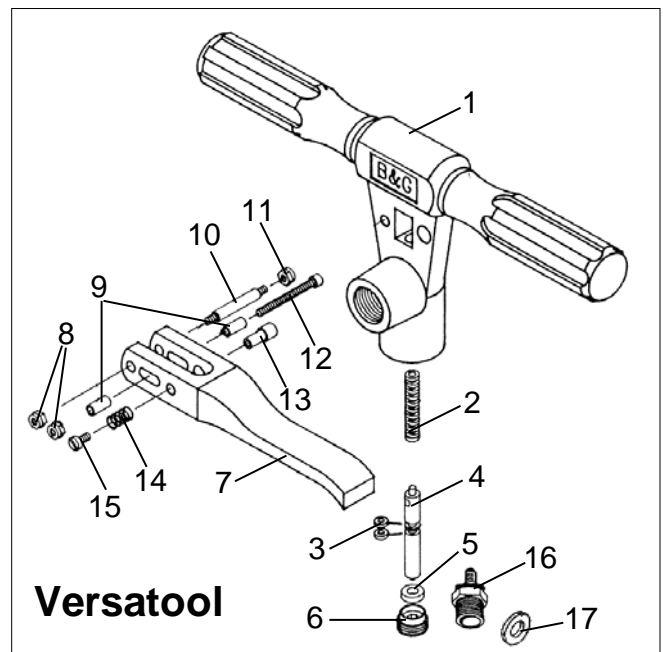
Versagun Valve – 700 Series

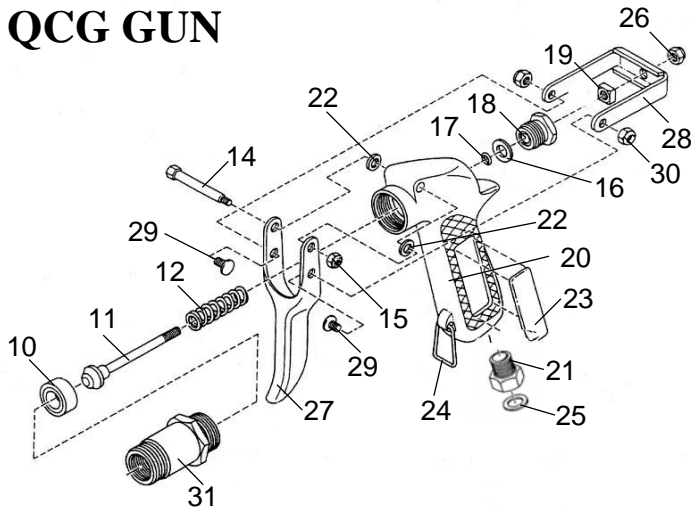
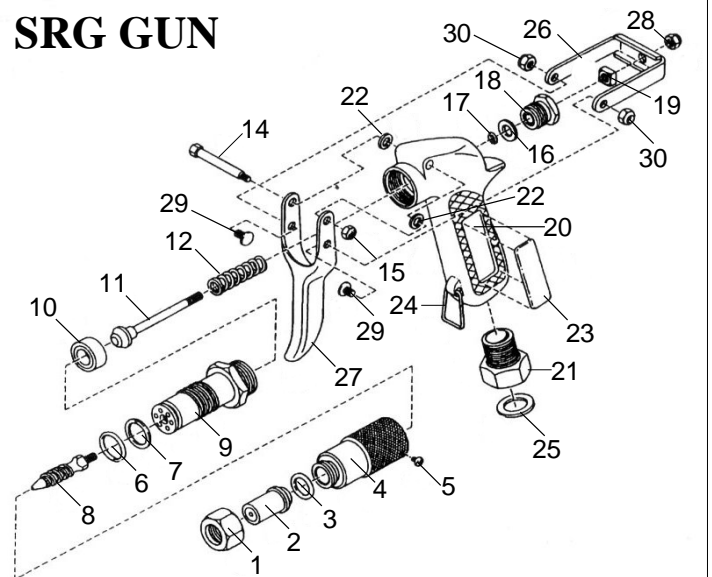
#	Order #	Description
Valve	11007406	Valve assembly
1	22067514	Locknut
2	22067513	Actuator block
3	22067511	Packing screw
4	22067517	Sealing washer
5	22067510	Packing gland
6	22067512	Actuator pin
7	22067509	Spring spacer
8	22067514	Locknut
9	22071285	Pipe plug 1/8" NPT
10	22067506	Versagun handle
11	22067516	Trigger pin
12	22067505	Versagun body
13	22067514	Locknut
14	22067515	Versagun trigger
15	22024410	Shutoff spring
16	22067507	Shutoff stem
17	22067503	Adapter 1/2
18	22067526	Hose fitting
19	22067527	Hose fitting washer
20	22070725	0-160 psi gauge
21	22067518	Adapter
22	95144402	Threaded washer
Kit	22067554	Valve Rebuild Kit (includes 1, 4, 17)



Versatool Valve – 700 Series

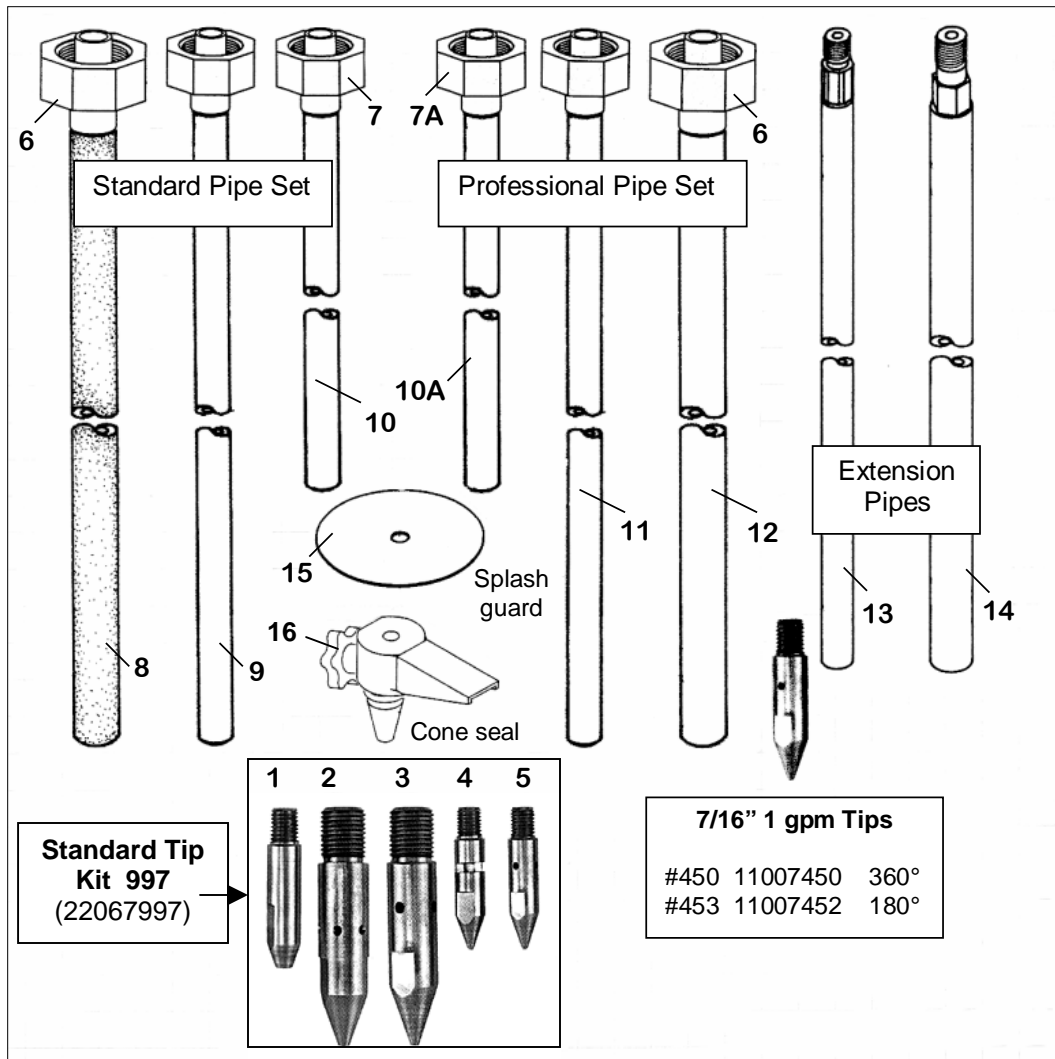
#	Part	Order #	Description
Valve	-----	11007407	Valve assembly
1	1544	22071644	Valve body
2	VT-618	22059700	Spring rod
3	1-1964	33000090	O-Ring
4	VT-619	22059800	Valve rod
5	VT-621A	22060000	Seat gasket
6	VT-622A	22060100	Seat gasket holder
7	VT-611	22059000	Valve trigger
8	TN-45	22040500	Hex nut
9	1138	22071038	Spacer
10	VT-609	22058800	Trigger pin
11	TN-45	22040500	Hex nut
12	VT-612	22059100	Rod screw
13	VT-615	22059400	Trigger lock
14	VT-616	22059500	Trigger lock spring
15	VT-617	22059600	Trigger lock screw
16	-----	22067518	Adapter
17	-----	95144402	Threaded washer
Kit	-----	22067554	Valve Rebuild Kit (includes 1, 4, 17)



QCG GUN**SRG GUN****SRG AND QCG GUNS**

#	Part	Description	#	Part	Description
1	34501	Nozzle nut	16	34516-V	Gasket
2	34502-6	Nozzle orifice	17	34517-V	O-Ring
3	34503-V	O-Ring P-14	18	34518	Gland nut
4	34504	Adj. sleeve	19	34519-S	Valve stem nut
5	34505	Sleeve screw	20	34520	Handle
6	34506-V	O-Ring P-18	21	34521	1/2 MPT adapter
7	34507	Back-up O-ring	22	34522	Pivot bolt washer
8	34508	Pattern valve	23	34590-S	Label
9	34509	Valve body	24	34596	Trigger lock
10	34510	Valve seat	25	HWN	Gasket for <u>QCG</u> gun
11	34511	Shutoff valve	26	34519-N	Lock nut, valve stem
12	34512	Shutoff valve spring	27	34513-A	Trigger piece
13	34513	Trigger assembly*	28	34513-B	Valve yolk
14	34514	Pivot bolt	29	34513-C	Trigger hinge bolt
15	34515-N	Pivot bolt nut	30	34513-D	Hinge bolt nut
			31	34563	Nosepiece

* Trigger assembly = #s 27- 30



Standard Pipe Set

#	Computer #	Description
6	22067797	1/8" adapter
7	22067798	3/8" adapter
8	22067906	5/8" x 40" galvanized pipe
9	22067912	7/16" x 40" stainless pipe
10	22067904	7/16" x 12" stainless pipe
15	22060850	Splash guard
16	22071716	7/16" ACS assembly

Professional Pipe Set

#	Computer #	Description
6	22067797	1/8" adapter
7A	22067798	3/8" adapter
10A	22071427	7/16" x 12" stainless tubing
11	22071428	7/16" x 40" stainless tubing
12	22071429	5/8" x 40" stainless tubing
15	22060850	Splash guard
16	22071716	7/16" ACS assembly

Standard Tip Kit

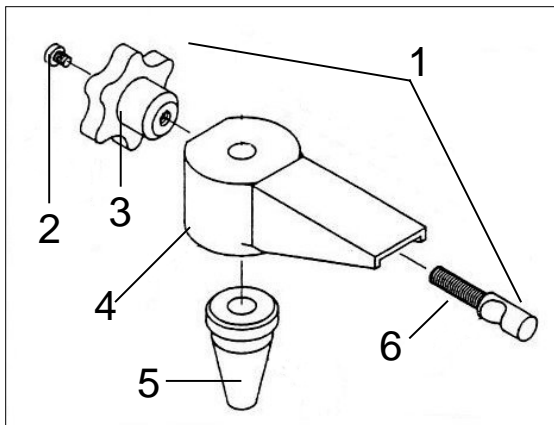
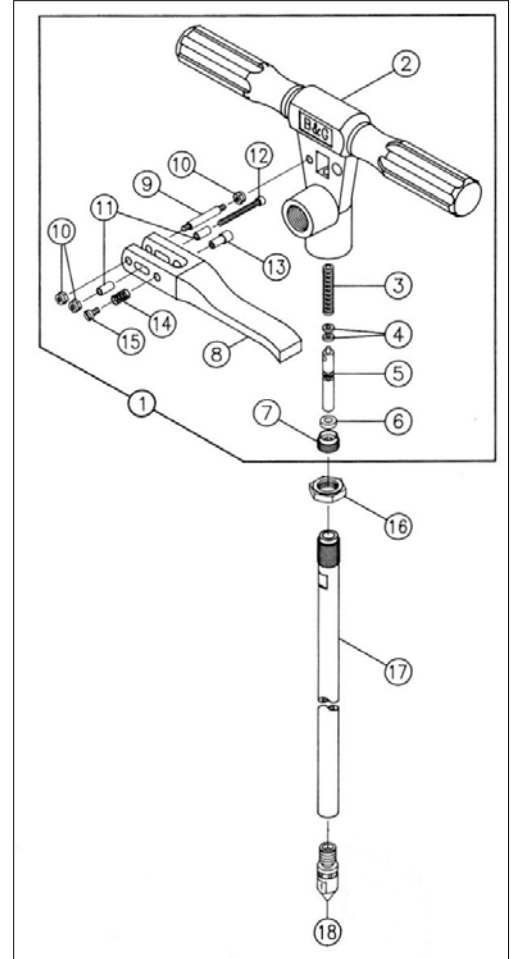
#	Part	Computer #	Description
1	457	11007457	void 2 gpm
2	455	11007455	360° 5 gpm
3	454	11007454	360° 2 gpm
4	453	11007453	180° 2 gpm
5	451	11007451	360° 2 gpm

Extension Pipes

#	Computer #	Description
13	11007460	7/16" x 40" stainless tubing
14	11007465	5/8" x 40" stainless tubing

484 / 486 Versatool

#	Part	Order #	Description
1	1549	22071649	Valve assembly
2	1544	22071644	Valve body
3	VT-618	22059700	Rod spring
4	1-1964	33000090	O-Ring
5	VT-619	22059800	Valve rod
6	VT-621A	22060000	Seat gasket
7	VT-622A	22060100	Seat gasket holder
8	VT-611	22059000	Valve trigger
9	VT-609	22058800	Trigger pin
10	TN-45	22040500	Hex nut
11	1138	22071038	Spacer
12	VT-612	22059100	Rod screw
13	VT-615	22059400	Trigger lock
14	VT-616	22059500	Trigger lock spring
15	VT-617	22059600	Trigger lock screw
16	-----	22071783	Seal nut
17	1393	22071393	Slab pipe 7/16" x 40"
18	1390	22071390	Tip, 360°, 2 gpm

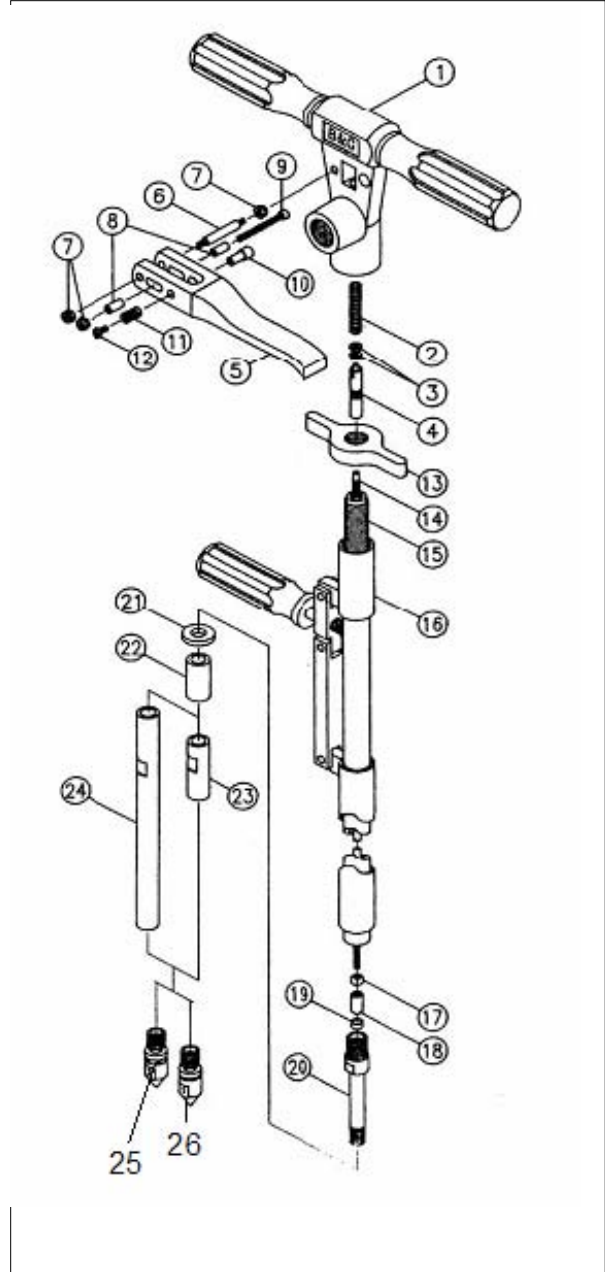


Adjustable Cone Seal

#	Part	Order #	Description
1		22071716	Adj. Cone Seal 7/16"
2	1145	22071045	Retaining screw
3	1380	22071380	Lock knob
4	ACS-30	22071776	Foot ram
5	ACS-26	22071715	Cone seal 7/16"
6	1381	22071381	Lock bolt

Sub-Slab Injector (SSI-4, SSI-14)

<u>#</u>	<u>Part</u>	<u>Description</u>
1	VT-610	Valve assembly
2	VT-618	Rod spring
3	I-1964	O-Ring
4	2673	Valve rod
5	VT-611	Valve trigger
6	VT-609	Trigger pin
7	TN-45	Hex nut
8	1138	Spacer
9	VT-612	Rod screw
10	VT-615	Trigger lock
11	VT-616	Trigger spring
12	VT-617	Trigger screw
13	22065300	Wing nut
14	2674	Extension rod for #4
	2675	Extension rod for #14
15	2668	Shaft for #4
	2669	Shaft for #14
16	400	Lock sleeve for #4
	500	Lock sleeve for #14
17	SSL-157	Seat stem lock nut
18	2676	Seat stem
19	2677	Seat gasket
20	2678	Stud
21	#5	Compression ring
22	#6	Expansion ring
23	1370	Tip adapter
24	LDT-36	Extension, 6 in.
25	1390	360°, 2 gpm
26	1542	180° fan, 2 gpm



TERMITE TOOL REPAIR KITS

VERSAGUN REPAIR KIT (Order # 22067554)

1	-----	22067503	Adapter ½-20
1	-----	22067514	Locknut, Versagun
1	-----	22067517	Seal, Versagun

VERSATOOL REPAIR KIT (Order # 22028910)

1	TN-45	22040500	Trigger nut
1	VT-616	22059500	Spring lock
1	VT-621A	22060000	Valve seat gasket
1	VT-622A	22060100	Seat gasket holder
1	1138	22071038	Space
2	1-1964	33000090	O-Ring

SRG and QCG REPAIR KIT 1 34555-V (Order # 22067848)

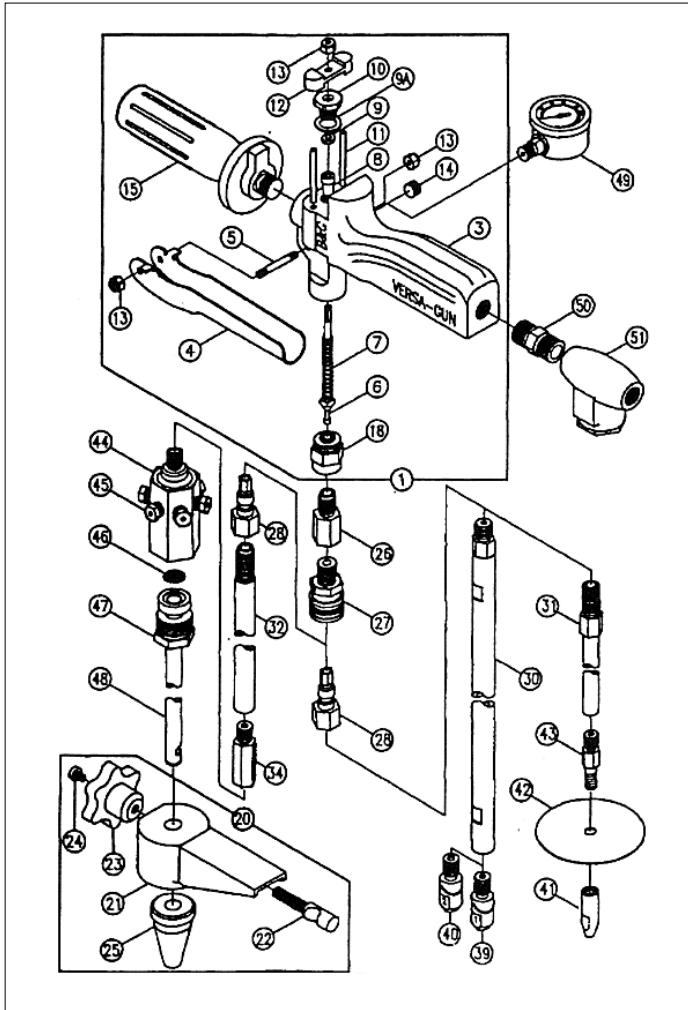
1	HWN	22067536	Hose gasket
1	34516-V	22067714	Gasket, Viton
1	34517-V	22067715	O-Ring PT-6
1	34503-V	22067740	O-Ring, Viton
1	34506-V	22067743	O-Ring, Viton
1	34507	22067744	O-Ring, back-up

SRG and QCG REPAIR KIT 2 34601-V (Order # 22067748)

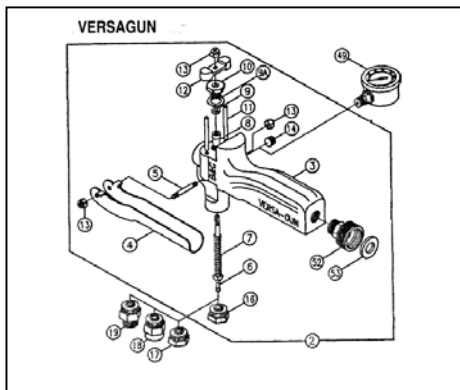
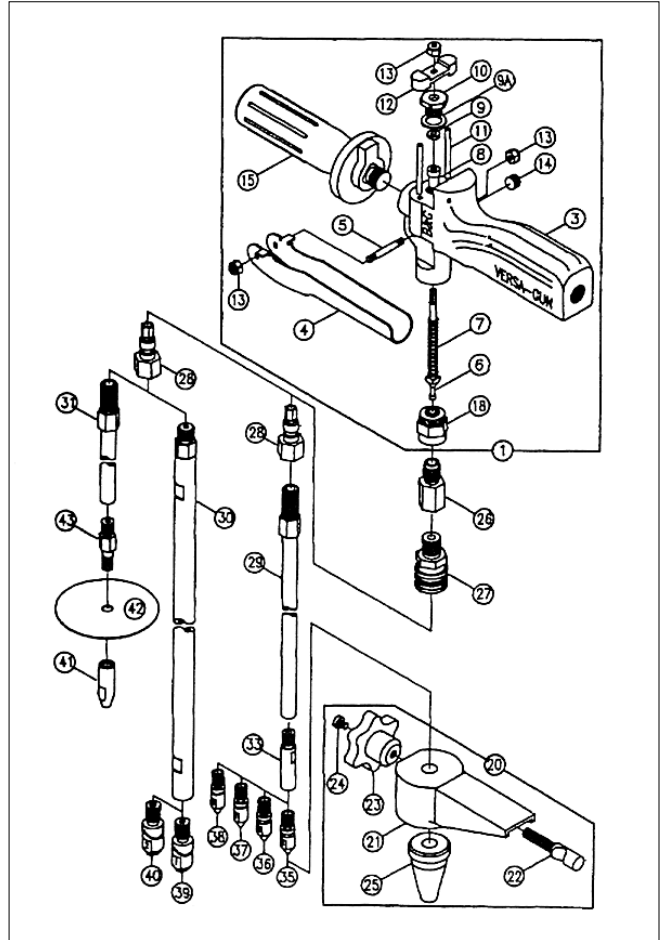
1	HWN	22067536	Hose gasket
1	34516-V	22067714	Gasket, Viton
1	34517-V	22067715	O-Ring PT-6
1	34510	22067728	Valve seat

VERSAGUN TOOLS PRIOR TO 2005

Versatool 2000



Versatool 480 and Soil Rodder 488

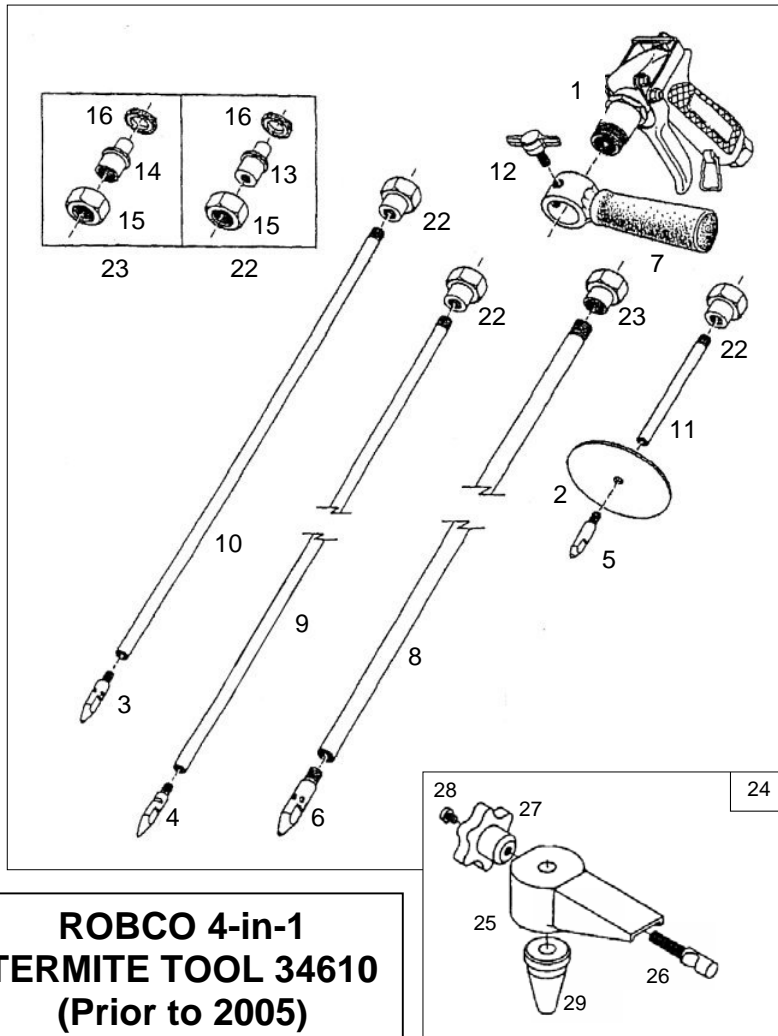


VERSAGUN TERMITE TOOLS

Repair Parts List

#	<u>Computer #</u>	<u>Description</u>
1	22067500	Valve, Versagun Termite
2	22067530	Valve, Versagun 200
3	22067505	Body, Versagun
4	22067515	Trigger, Versagun
5	22067516	Pin, Trigger
6	22067507	Stem, Shutoff
7	22067508	Spring, Shutoff
8	22067509	Spacer, Spring
9	22067510	Gland, Packing
9A	22067517	Washer (not shown)
10	22067511	Screw, Packing
11	22067512	Pin, Actuator
12	22067513	Block, Actuator
13	22067514	Locknut
14	22071285	Plug, Pipe 1/8 NPT
16	22067501	Tip, 2 gpm
17	22067502	Tip, 3 gpm
18	22067503	Adapter, 1/2-20
19	22067504	Adapter, 1325 Tip Cap
20	22071716	Cone Seal Assembly
21	22071776	Foot Ram Weldement
22	22017381	Bolt , Lock
23	22071380	Knob, Lock
24	22071045	Screw, Retaining (#10-24X.25)
25	22071715	Seal, Cone
26	95122354	Adapter, Quick Connect

#	<u>Computer #</u>	<u>Description</u>
27	95122356	Socket, Quick Connect
28	95122355	Plug, Quick Connect
29	22071940	Pipe, Slab 7/16" x 40
30	22071378	Pipe, Soil 5/8" x 46"
31	22071912	Pipe, Slab 7/16" x 12"
32	22071970	Shaft, Slabjet
33	22071950	Valve, Check (480)
34	22071955	Valve, Check (Slabjet)
35	22071389	Tip, Slab 360°, 1 gpm
36	22071390	Tip, Slab 360°, 2 gpm
37	22071643	Tip, Slab 180°, 1 gpm
38	22071642	Tip, Slab 180°, 2 gpm
39	22071694	Tip, Soil 180°, 1 gpm
40	22071695	Tip, Soil 180°, 2 gpm
41	22060300	Tip, Void
42	22060850	Guard, Splash
43	22071640	Adapter, Male
44	20002001	Body, Foam Head
45	22051231	Valve, Air Check
46	20002010	Screen, Foam
47	20002005	Adapter, Foam Slab Pipe
48	20002015	Pipe, Foam 7/16" x 16"
49	22070725	Gauge, 0-160 psi
50	22058653	Nipple, Hex 3/8 NPT
51	22058662	Strainer
52	22067528	Fitting, Garden Hose
53	22067527	Washer, Garden Hose



**ROBCO 4-in-1
TERMITE TOOL 34610
(Prior to 2005)**

ROBCO 4-in-1 TERMITE TOOL 34610 (Prior to 2005)

#	Part	Description
1	QCG	Quick-Change Gun
2	VT-630	Splashguard, Metal for Void Injector
3	34568-L	Injection tip, lateral 4-way, stainless
4	34568-S	Injection tip, sub-slab, 5° upfan, stainless
5	34568-C2	Injection tip, Center, 2 gpm, stainless
6	34571	Injection tip for 11/16" rod, stainless
7	34573	Push handle with rubber grip
8	34576	Rod for injector, 11/16" x 36", galvanized
9	34583-40	Rod, .405" O.D. x 39", stainless
10	34583-24	Rod, .405" O.D. x 24", stainless
11	34583-4	Rod, .405 O.D. x 4", stainless
12	34588	Setscrew, 3/8" x 1/2", stainless
13	34611-18	Quick-Change shank for .405" rod
14	34511-38	Quick-Change shank for 11/16" rod
15	GHN	Nut for Quick-Change adapter
16	HWN	Gasket, Buna-N
17	22071716	Slab Injector Pedal assembly
22	34605-1/8	Quick-Change adapter for .405" rod
23	34605-3/8	Quick-Change adapter for 11/16" rod
24	22071716	Cone Seal assembly
25	220717716	Foot Ram Weldment
26	22071381	Bolt, Lock
27	22071380	Knob, Lock
28	22071045	Screw, retaining
29	22071715	Seal, Cone

Rev 9/06

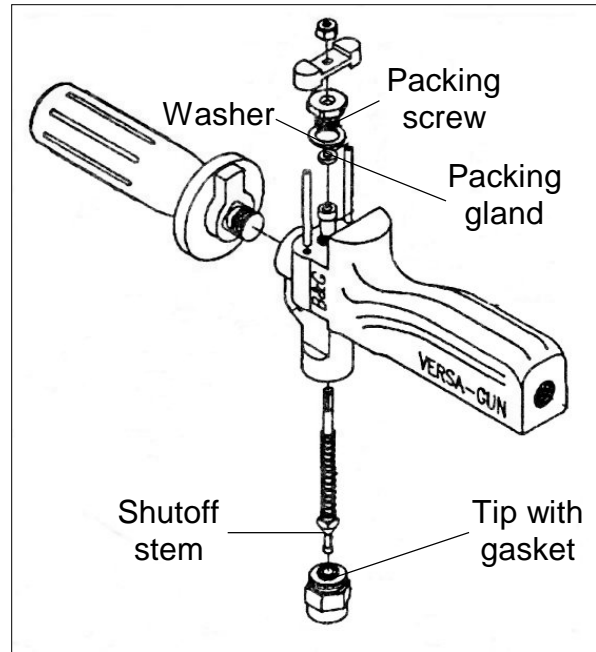
VERSAGUN PROBLEMS AND SOLUTIONS

P. Gun is leaking at the junction with the soil rod.

S. Remove the soil pipe and tighten the tip to the gun.

If leak continues, loosen and remove the tip, clean the exposed end of the shutoff stem and the white gasket in the center of the tip.

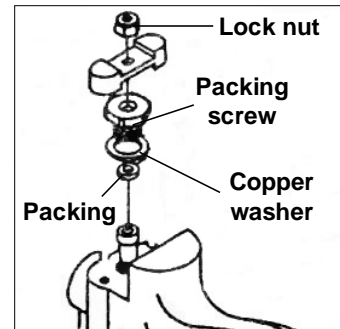
If leak continues, replace the tip, the gasket can not be replaced separately.



P. Leaking occurs at the back of the valve.

S. Loosen the lock nut (1/4 turn) at the back of the gun – this will re-set the shutoff stem to the gasket in the tip.

If leak continues, the packing screw may have to be removed and the packing replaced.



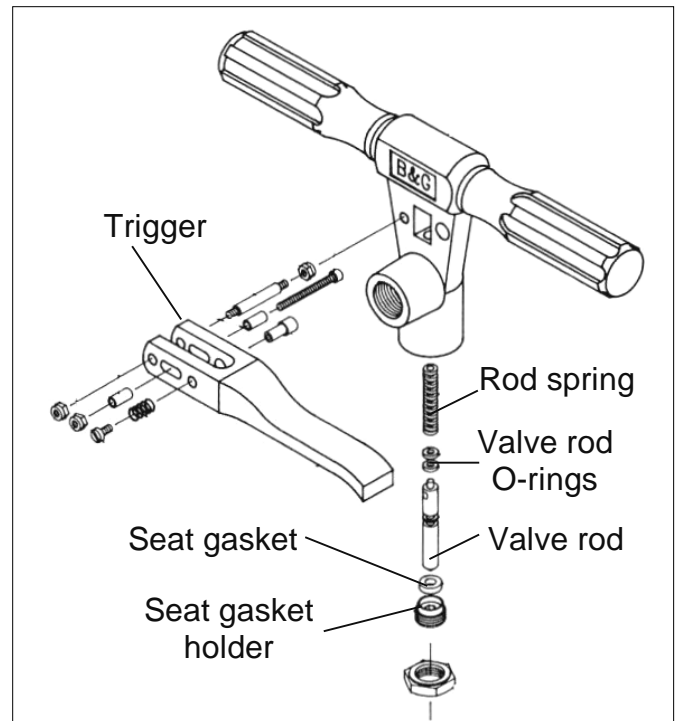
VERSATOOL PROBLEMS AND SOLUTIONS

P. Tool is leaking from the tip.

S. Remove the soil pipe and in the base of the valve tighten the seat gasket holder with a 5/32" hex wrench.

If tool continues to leak, remove the seat gasket holder with a 5/32" hex wrench and replace the (white) seat gasket.

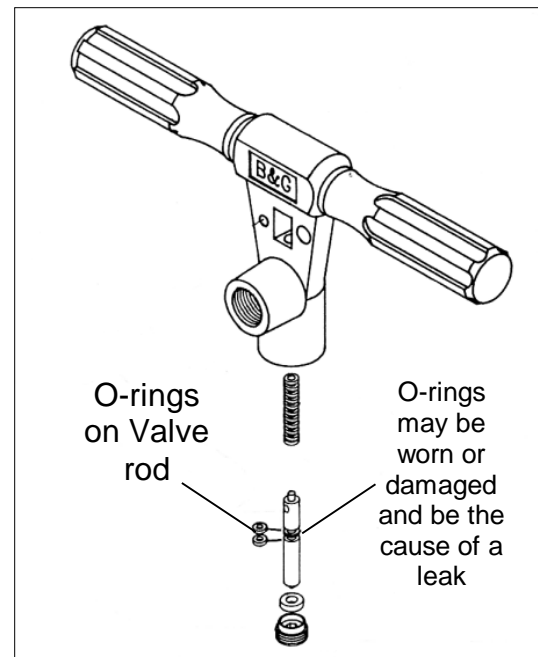
If tool continues to leak, replace O-rings on the valve rod. Disassemble the trigger, then remove the seat gasket holder; push the Valve rod out from above.



P. Leaking occurs around the soil pipe connection to the valve.

S. Remove the soil pipe and in the base of the valve tighten the seat gasket holder with a 5/32" hex wrench.

If leak continues, remove the Seat gasket holder (5/32" hex wrench) and replace the white seat gasket.

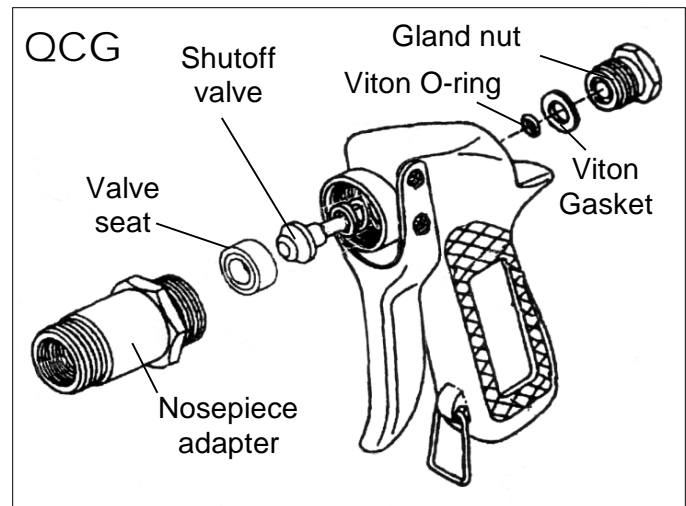


P. Leaking occurs around the rod spring at the center of the valve handle.

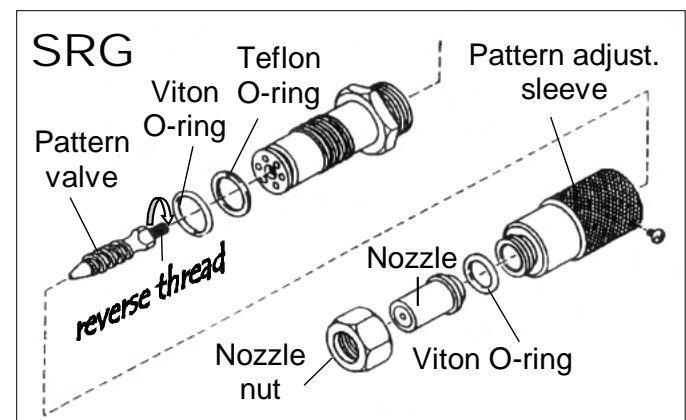
S. Replace O-rings on the Valve rod. Disassemble the trigger, then remove the Seat gasket holder; push the valve rod out from above.

QCG AND SRG GUN PROBLEMS AND SOLUTIONS

- P.** Gun is leaking from the tip, around the junction of the nosepiece and the body of the gun.
- S.** Remove nosepiece-adapter and inspect the shutoff valve and the valve seat (gasket). Clean the tip of the shutoff valve, and turn over the valve seat (gasket).
- If leaking continues, replace the valve seat (gasket).



- P.** Leaking occurs at the back of the gun around the large brass nut.
- S.** Tighten the gland nut at the back of the gun. If leaking continues at this site, disassemble the gun and replace the gasket and O-ring associated with the gland nut.



- P.** Leaking occurs around the pattern adjust. sleeve of SRG gun.
- S.** Remove the nozzle nut and inspect the O-ring, remove dirt from around the nozzle.
- Remove pattern adjustment sleeve and inspect Viton and Teflon O-rings. Replace if damaged or worn.
- Note:** Pattern valve has reversed thread to open.

QCG REPACKING KIT – 34601-V:

- 1 Valve seat
- 1 Viton gasket
- 1 Viton O-ring

SSI #4, #14 PROBLEMS AND SOLUTIONS

P. Tool is leaking from the tip or just above.

S. Tighten tip with a wrench.

If tool continues to leak, replace the seat gasket (#22071977).

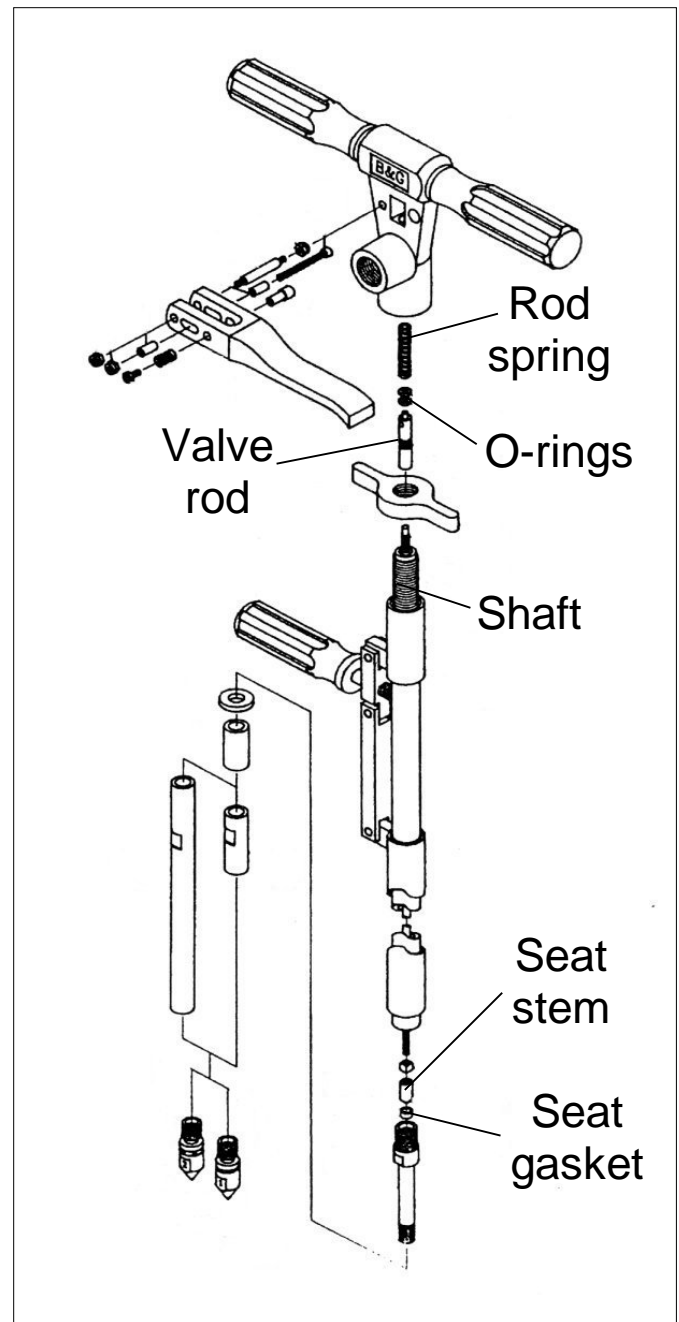
If tool continues to leak from the tip, check the seat stem and replace if damaged (#22071976).

P. Leaking occurs around the rod spring connection to the Valve.

S. Remove the pipe at the wing nut and disassemble the valve to free the rod spring. Replace the 2 O-rings in the valve rod.

P. Leaking occurs around the pipe connection to the valve.

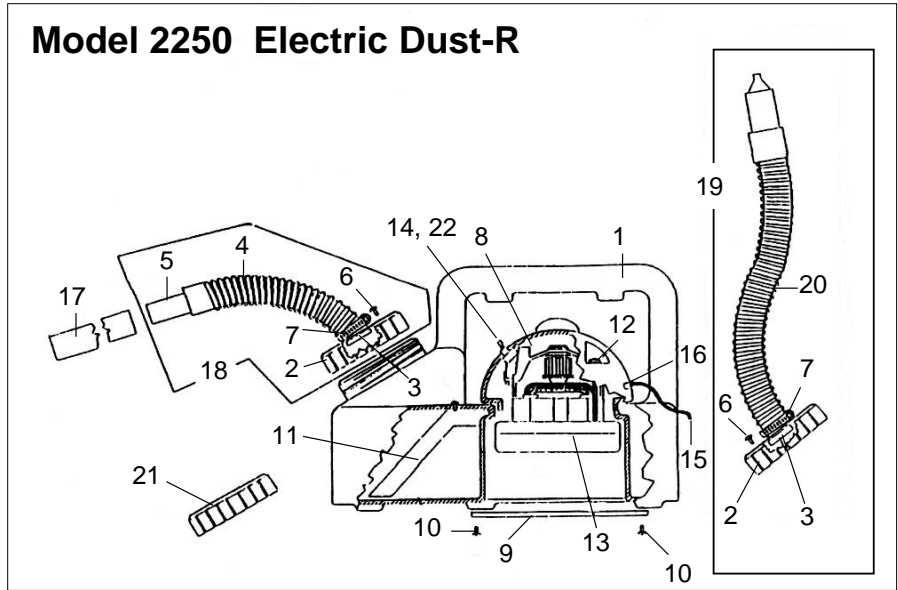
S. Tighten the pipe into the valve body.



Model 2250 Electric Dust-R

#	Part	Description
1	2251	1.5 gallon tan
2	2255	Cap with liner
3	2256	Flange
4	2257	Flex hose
5	2258	Cuff
6	2260	Screw, #6
7	2261	Clamp
8	2252	Cover
9	2305	Motor guard
10	2306	Screw, #8
11	2253	Duct
12	2308	Screw, #10
13	2323	Motor, 110V, 2 stage
14	2311	Switch, 110V
15	2314	Cord, 110V
16	2315	Strain relief
17	2259	Extensions
18	2263	Discharge unit
19	2264	Void treat discharge
20	2265	Void treat hose
21	2262	Cover with liner
22	990	Boot/switch

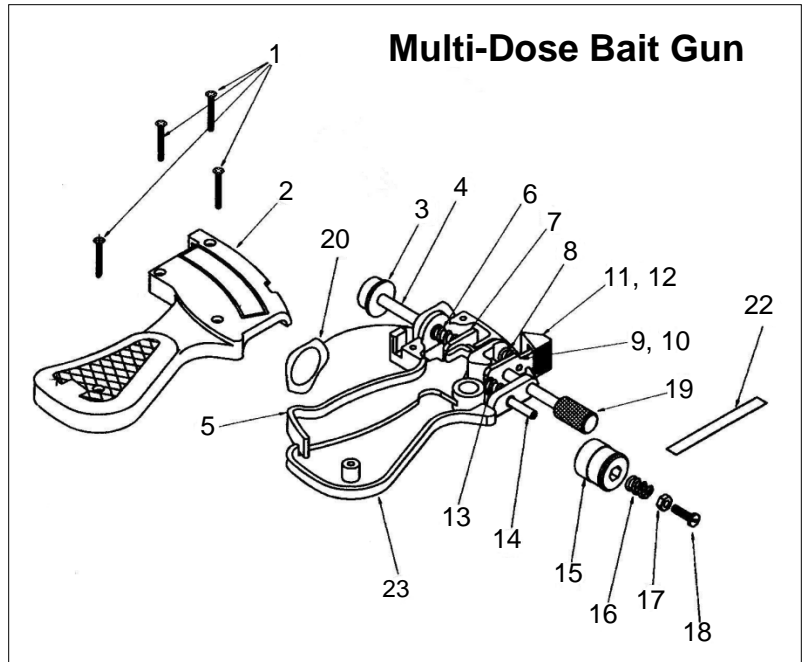
Model 2250 Electric Dust-R



Multi-Dose Bait Gun

#	Order #	Description
1	24020129	Screw, self-tapping
2	24020103	Body, gun
3	24020112	Plunger, syringe
4	24020111	Plunger rod
5	24020105	Trigger
6	24020125	Spring, front lock plate
7	24020114	Plate, front lock
8	24020124	Spring, upper rear lock
9	24020115	Plate, rear lock
10	24020152	Screw, #8 32 x 1/8"
11	24020107	Knob, rod release
12	24020147	Screw, #8 32 x 1/8"
13	24020127	Spring, lower rear lock
14	24020121	Screw, dose adjusting
15	24020116	Dose adj. knob assembly
16	24020126	Spring, dose adj. knob
17	24020122	Nut, modified
18	24020128	Screw
19	24020113	Knob, plunger
20	24020146	Washer, wavy spring
21		Label
22	24020119	Label, dose adjusting
23	24020153	Body and pin assembly

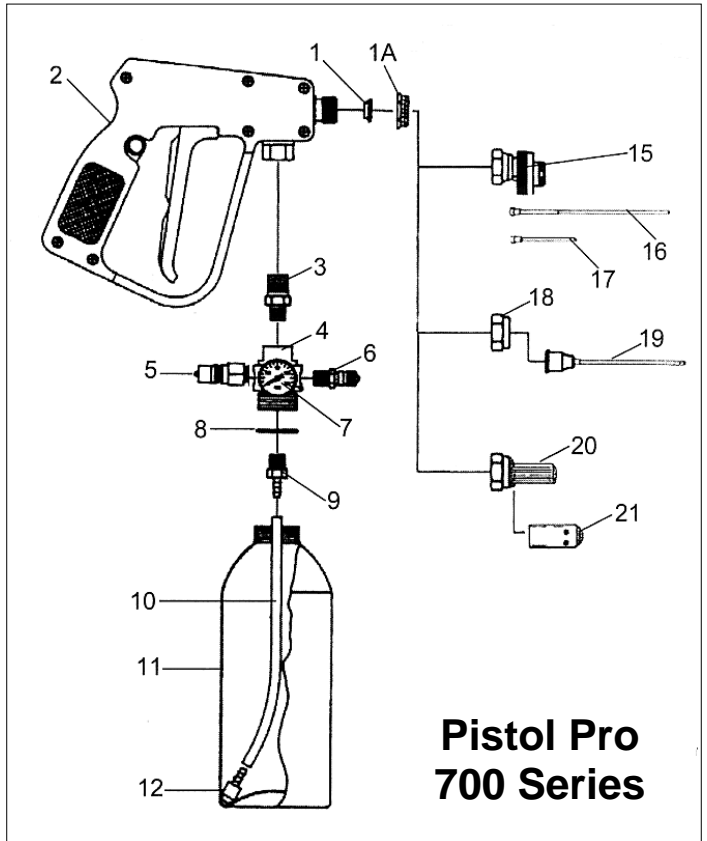
Multi-Dose Bait Gun



PistolPro 700 Series

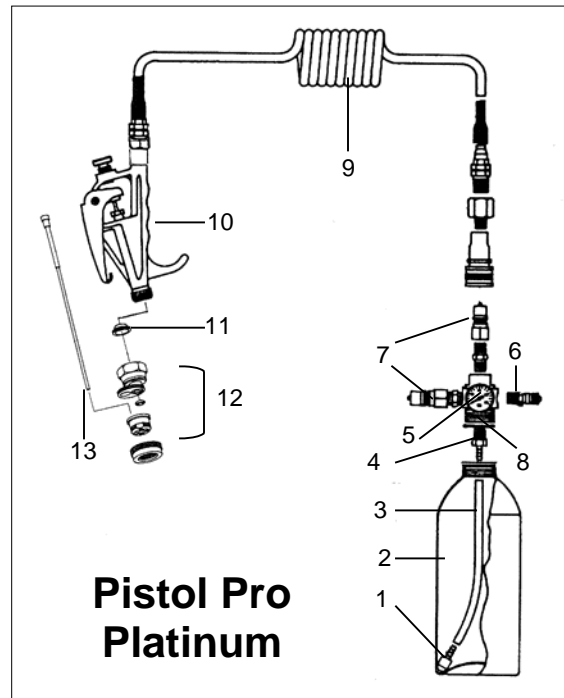
Pistol Pro 700

#	Order #	Description
1	SP-159	Soft seat gasket
1A	22032720	200 mesh screen
2	22067312	30-L Gunjet
3	22071266	Reducing nipple
4	24010016	Adapter
5	22071801	Quick connect
5A	22026700	Nipple pipe 1/8"
6	22054900	Air valve
7	24010003	Gauge, 160 psi
8	24010002	O-ring
9	24013050	Hose barb fitting
10	24013052	Siphon hose
11	24010710	Bottle + cap, 1 pint
	24010715	Bottle + cap, 1 quart
12	24013050	Siphon weight
15	22049468	Tip assembly
16	22049200	C+C straw
17	22071785	Injection needle, 2"
18	TC-160	Tip cap
19	24010059	Needle assembly
20	23083601	Adjusting nozzle
21	22036655	Foam tip assembly



Pistol Pro Platinum

#	Order #	Description
1	24013050	Siphon weight
2	22010710	Bottle + cap, 1 pint
	24010715	Bottle + cap, 1 quart
3	24013052	Siphon hose
4	24013050	Hose barb fitting
5	24010003	Gauge, 160 psi
6	22054900	Air valve
7	22071801	Quick connect
	22026700	Nipple pipe 1/8
8	24010016	Adapter
9		Coiled hose
10		Valve assembly
11	22046300	Soft seat gasket
12	22049466	Multiejet tip assembly
13		Crack-Crevice straw



PISTOL PRO SYMPTOMS AND SOLUTIONS

P. Gun is leaking from the front of the tip.

S. Tighten tip retainer or tip cap.
Check nozzle for deposits.

P. Gun is leaking from behind the tip.

S. Tighten tip retainer; remove tip and clean or replace soft seat gasket.

P. Leaking occurs at bottom of gun, or the top of the bottle.

S. Tighten reducing nipple connection.
Tighten Hose barb, check O-ring for damage and replace (#24010002)
Remove and replace Teflon tape.

P. Foam from foaming tip is watery.

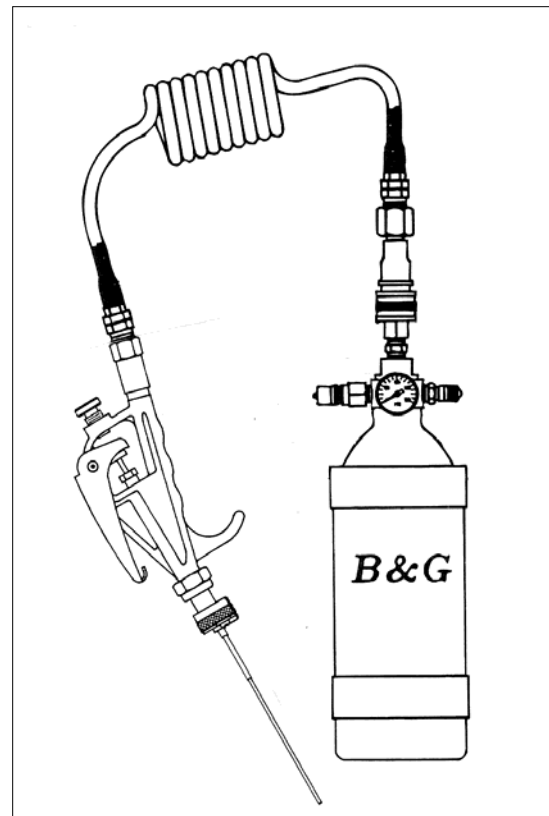
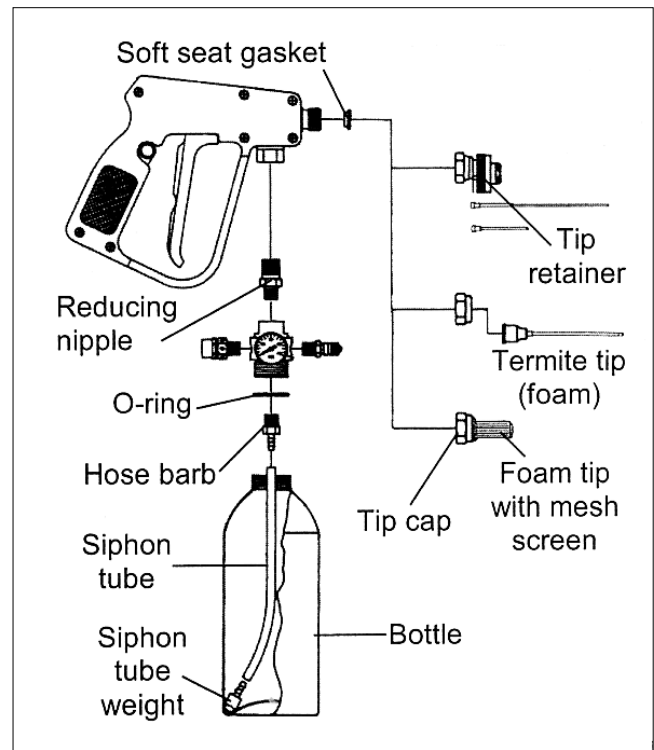
S. Adjust the tip, increase the amount of foaming liquid in bottle, or clean the mesh screen.

P. No foam is produced by the foaming tip or the termite tip.

S. Increase amount of foaming liquid in the bottle. Check the siphon tube and weight at bottom.

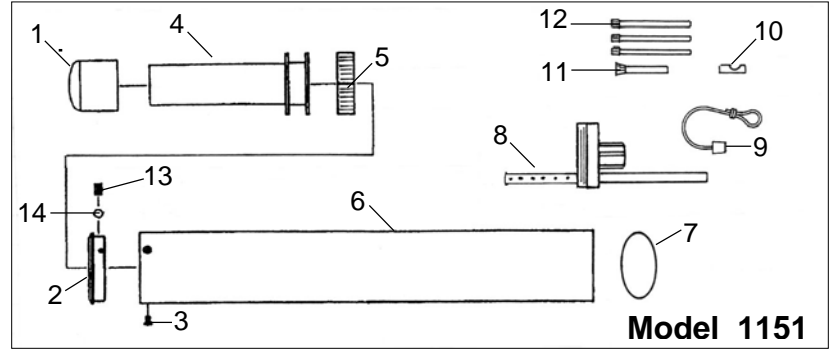
P. Extenda-Ban valve or tip on Pistol Pro Platinum leaking.

S. Tighten packing nut (PN-150-2).
Replace packing washers (VP-151).
Replace the O-ring (#22034700).



Model - 1151-M Mini-Dust-R

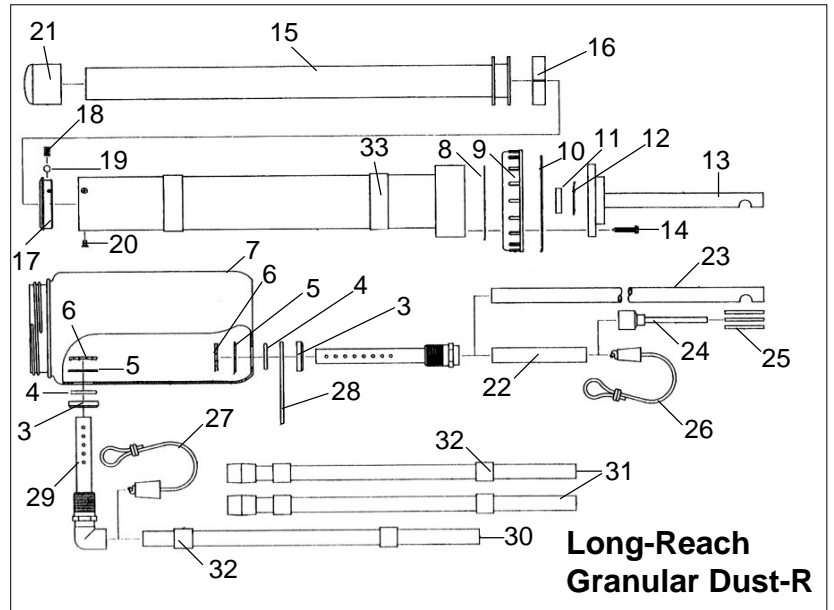
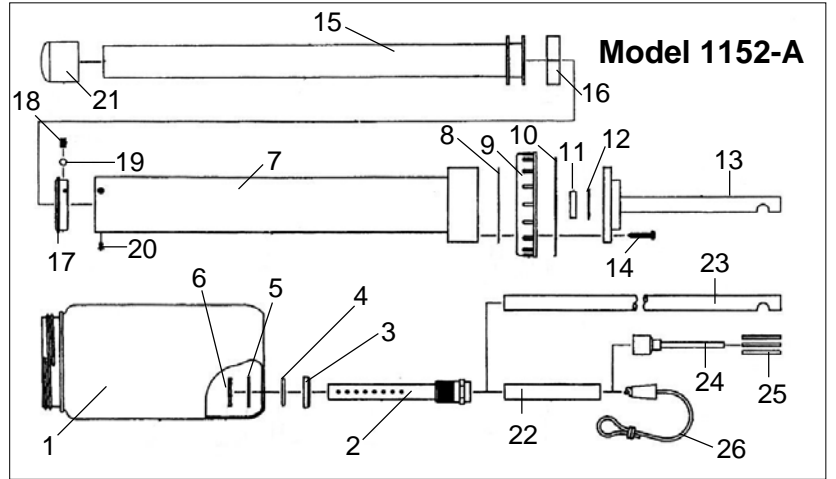
#	Part	Description
1	MDR-1	Cap
2	MDR-2	Collar
3	1174	Screw, flat head #6
4	MDR-4	Plunger
5	DR-020	Pump gland
6	MDR-7	Barrel
7	MDR-8	Barrel seal
8	MDR-9	Closure
9	MDR-10	Stopper assembly
10	MDR-11	Tip, offset fan
11	MDR-12	Tip, straw
12	MDR-13	Extensions (3)
13	VT-616	Spring
14	MDR-15	Ball

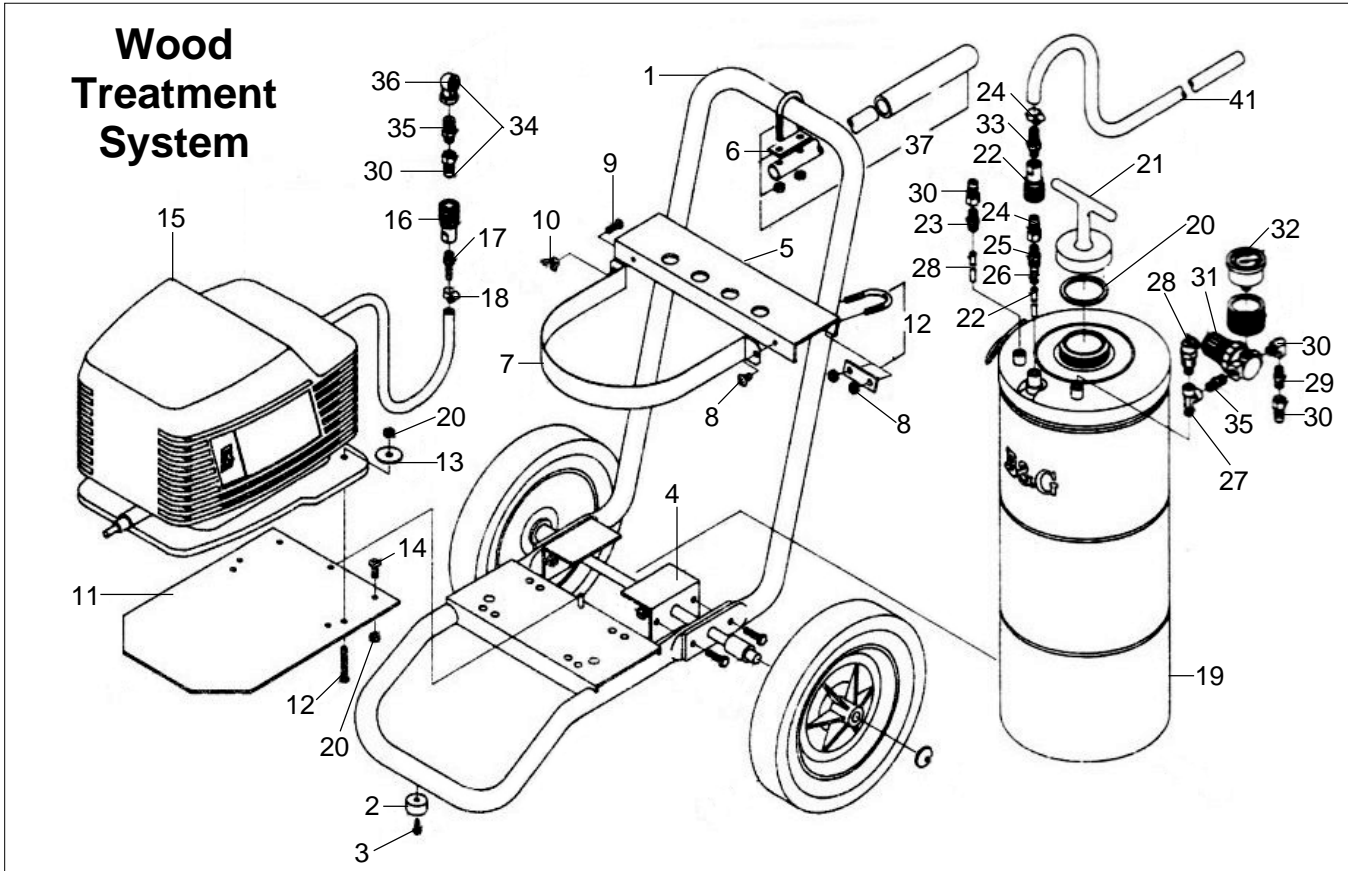


Model - 1152- A Hand Dust-R

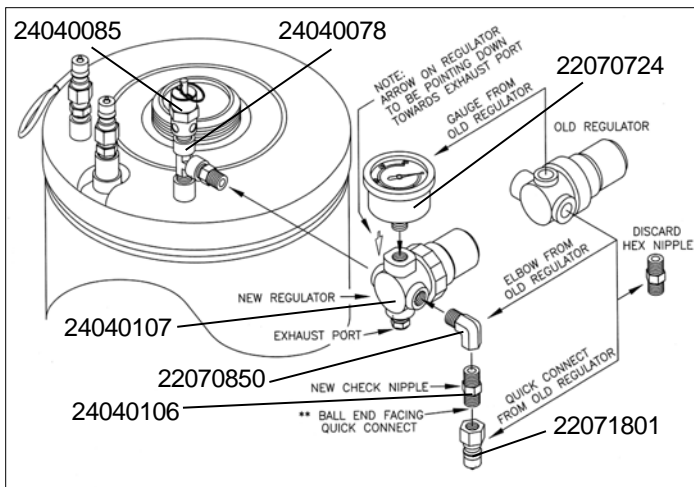
Long-Reach Granular Dust-R

#	Part	Description
1	DR-003	Bottle – 1152-A
2	24050001	Bottle – Long Reach
3	DR-027	Outlet
4	2273	O-Ring
5	DR-029	Washer
6	DR-028	Locknut
7	DR-012	Barrel
8	DR-010	Seal, barrel
9	DR-009	Bottle cap
10	DR-006	Bottle seal
11	DR-008	Valve
12	DR-007	Valve plate
13	DR-005	Valve cap
14	1224	Screw, hex head #8
15	MDR-4A	Plunger
16	DR-020	Pump gland
17	MDR-2	Collar
18	MDR-15	Ball
19	VT-616	Spring
20	1174	Screw, flat head #6
21	MDR-1	Cap
22	DR-002	Short extension
23	DR-011	Long extension
24	041	Tip, pencil
25	042	Tip, straw
26	DR-001	Stopper assembly
27	24050010	Stopper assembly
28	24050016	Extension clip
29	24050008	Granular outlet
30	24050012	Granular extension
31	24050011	Extension and coupling
32	24050014	Extension Velcro
33	24050015	Barrel Velcro

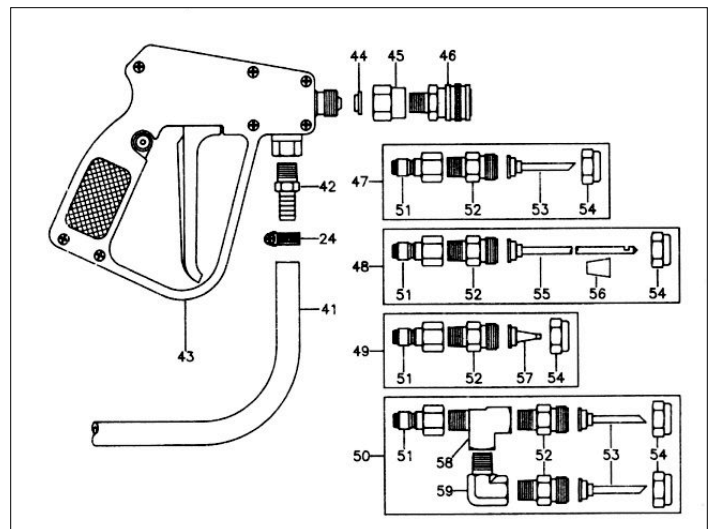




Wood Treatment System, Regulator Replacement



Wood Treatment System, 30-L Gun and Tips



Wood Treatment System

<u>#</u>	<u>Order #</u>	<u>Description</u>	<u>#</u>	<u>Order #</u>	<u>Description</u>
1	24040060	Cart assembly	23	24040057	Adapter, foam siphon
2	24040100	Bumper	24	22071801	Plug, quick connect
3	24040101	Screw, #10	25	24040057	Adapter, foam siphon
4	24040062	Bracket, tank	26	24040093	O-ring
5	24040061	Rail, cart	27	24040078	Tee, street 1/8 NPT
6	24040063	U bolt	28	24040085	Valve, pressure relief
7	22071743	Band, tank	29	22026700	Nipple, hex 1/8 NPT
8	22071751	Screw, Phillips	30	22070850	Elbow, street 1/8 NPT
9	24040080	Screw, Phillips	31	22025300	Adapter, liquid siphon
10	24040084	Wing nut	32	22070724	Gauge, liquid filled
11	24040061	Rail, cart	33	22071803	Fitting, 3/8 hose NPT
12	24040081	Screw, Phillips	34	24040093	O-ring
13	24040082	Washer, fender	35	22071266	Nipple, reducing
14	22071752	Nut, hex	36	24040088	Air chuck, quick connect
15	24040065	Compressor, hose	37	24040102	Handle, grip, U-bolt
16	22071802	Socket, quick connect			
17	24040079	Fitting, hose 1/8 NPT			
18	33000467	Clamp, hose			
19	24040051	Tank			
20	22028000	Seal, tank			
21	22070600	Cap + handle assb			
22	22025901	Siphon tube			

Wood Treatment System Gun and Hose

<u>#</u>	<u>Order #</u>	<u>Description</u>	<u>#</u>	<u>Order #</u>	<u>Description</u>
41	24040067	30 ft. hose, 3/8 I.D.	53	24040071	Tip, straight foam
	24040086	50 ft. hose, 3/8 I.D.	54	22033100	Cap, tip
42	95137800	Fitting, 3/8 hose	55	24040074	Tip, wall void foam
43	22067312	Gunjet, 30L	56	24050006	Stopper, wall void tip
44	22046350	Gasket, seat	57	24040077	Tip, wood injection
45	22037400	Adapter, 1/4 NPT	58	22071738	Tee, street 1/4 street
46	22071813	Socket, quick connect	59	22070540	Elbow, street 1/4 NPT
47	24040069	Straight tip assmb			
48	24040073	Wall void tip assmb			
49	24040076	Wood tip assmb			
50	24040072	Dual tip assmb			
51	22071809	Plug, quick connect			
52	22033900	Body, nozzle			

WTS PROBLEMS AND SOLUTIONS

P. Tank not getting pressure.

S. Compressor not operating properly.
The regulator may not be adjusted properly, pull knob out, then turn to the right increase pressure.

P. Tank not hold pressure.

S. Tighten cap; check the tank gasket and replace if cracked or worn.

Check all quick-connect plugs for proper fitting and an air leak.

P. Gun sprays only air, no liquid or foam.

S. Check tank to be certain there is sufficient liquid in tank.

Check siphon tube for cracks, replace if damaged.

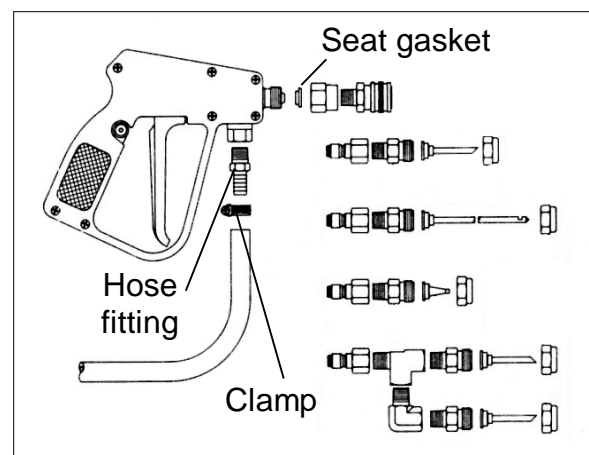
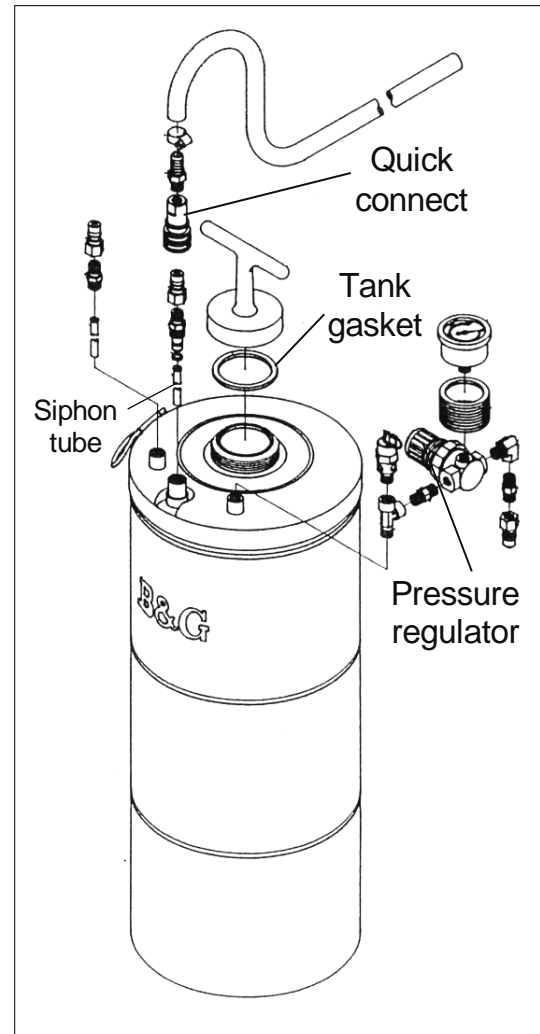
P. Compressor will not start.

S. Check gauge, there may be too much pressure in tank, pull the release valve to reduce pressure.

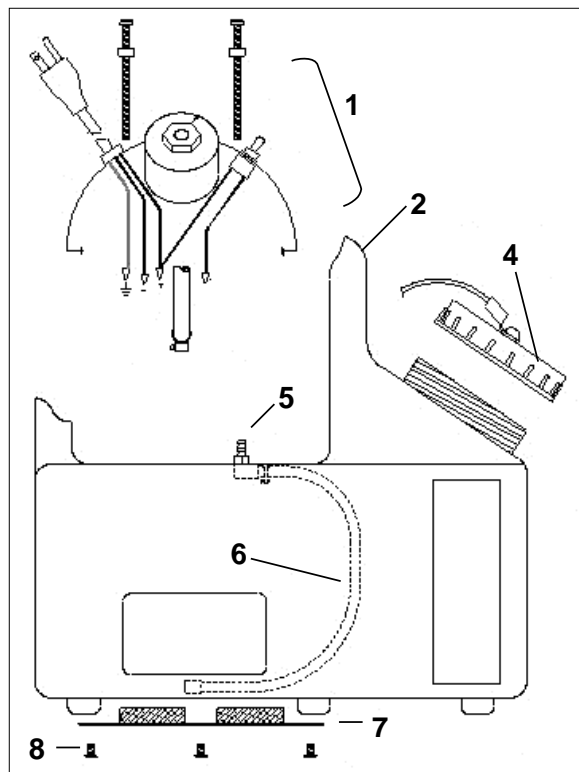
P. Leaking occurs around the hose fitting or around the tip fitting.

S. Tighten the hose fitting to the gun, tighten the hose clamp.

Replace the seat gasket, be certain to install the gasket with the narrow end toward the gun.

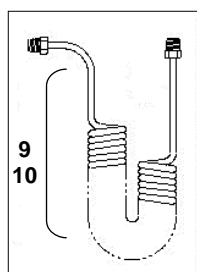
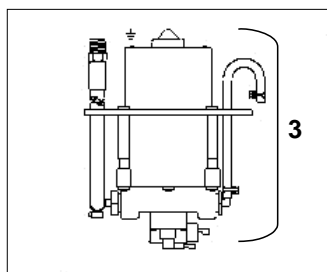


ELECTRO SPRAYER 1000



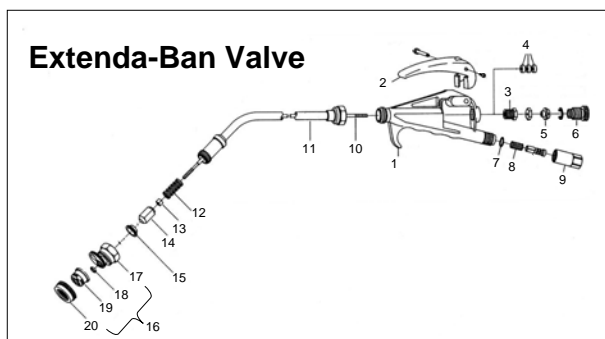
Electro Sprayer 1000

#	Order #	Description
1	29108025	Dome assembly
2	29108026	Tank assembly
3	29108027	Pump assembly
4	29108248	Cap and O-ring
5	29108250	Upper tank barb
6	29108180	Supply tube assembly
7	29108105	Motor guard
8	29108110	Screws, #8-32, 5/16
9	22071763	40 ft. coiled hose
10	22072000	25 ft. coiled hose

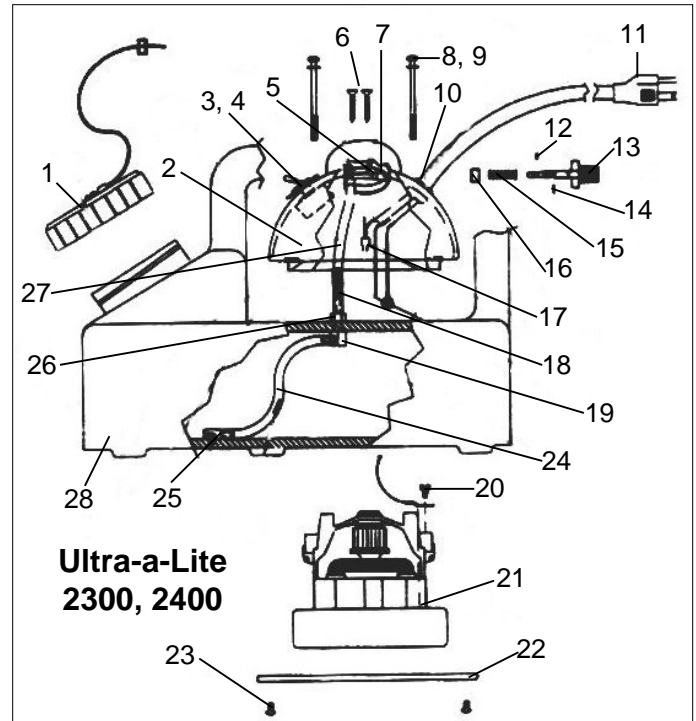
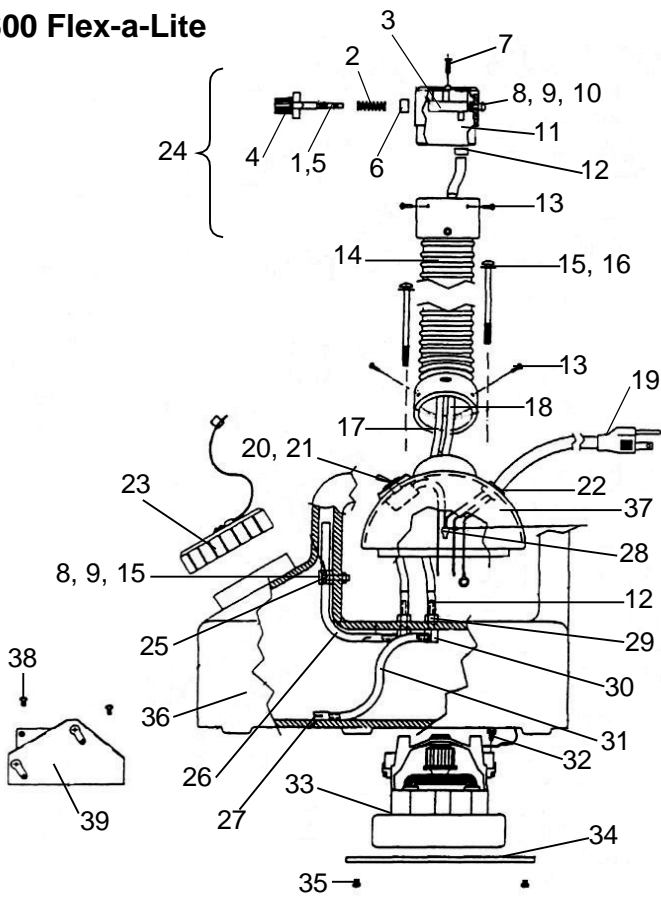


Extenda-Ban Valve

#	Order #	Description
1	22044450	Valve body
2	22042800	Valve Trigger Kit
3	22042455	Packing nut (ss steel)
4	22045099	Valve packing washer
5	22044500	Adjustment screw
6	22046700	Supply tube assembly
7	22044200	Nylon gasket
8	22043800	Mesh Strainer Kit
9	22043400	Strainer housing
10	22045400	Valve cable, 18 in.
11	22045600	Valve extension, 18 in.
12	22045700	Valve spring
13	22045900	Seat stem nut
14	22046100	Seat stem
15	22046300	Soft seat gasket
16	22049466	Multiejet tip assembly
17	22034700	Multiejet tip holder
18	22034700	Viton gasket
19	22049452	Multiejet tip
20	22034500	Tip retainer



2600 Flex-a-Lite



**Ultra-a-Lite
2300, 2400**

2600 Flex-a-Lite Fogger

#	Part	Description
1	2332	Clip
2	2334	Spring
3	2346	Venturi
4	2331	Knob assembly
5	2330	O-Ring
6	2333	Sleeve
7	2329	Screw
8	2352	Screw
9	2357	Hex nut
10	2359	Spacer
11	2353	Nozzle
12	1433	Spring clamp
13	2354	Screw
14	2385	Hose assembly
15	2326	Flat washer
16	2306	Screw
17	2349	Pressure tube
18	2374	Supply tube
19	2314	Electric cord
20	2311	Switch
21	990	Switch boot
22	2315	Strain relief
23	2386	Cap and O-ring
24	2384	Nozzle assembly
25	2358	Tube retainer
26	2319	Pressure tube
27	2312	Strainer
28	2316	Wire connector
29	1241	Tank barb
30	1246	Angle barb
31	2375	Supply tube
32	2327	Ground screw
33	2323	Motor 110V
	2324	Motor 220V
34	2305	Motor guard
35	2306	Screw
36	2406	Tank
37	2408	Housing
38	1145	Screw
39	2355	Mount plate

Ultra-Lite 2300, 2400 Fogger

#	Part	Description
1	2386	Cap and O-Ring
2	2407	Housing
3	990	Switch boot
4	2311	Switch 110V
	2340	Switch 220V
5	2336	Ring
6	2329	Screw
7	2346	Venturi
8	2326	Flat washer
9	2308	Screw 12-24 x 3 1/4
10	2315	Strain relief
11	2314	Electric cord 110V
	2341	Electric cord 220V
12	2330	O-ring (Model 2400)
12	2337	Plug (Model 2300)
13	2331	Valve rod, knob (Model 2400)
14	2332	Clip (Model 2400)
15	2334	Spring (Model 2400)
16	2333	Sleeve (Model 2400)
17	2316	Wire connector
18	2418	Spring
19	1246	Angle barb
20	2327	Grounding screw
21	2323	Motor 110V
	2324	Motor 220V
22	2305	Motor guard
23	2306	Screw
24	2375	Supply tube, lower
25	2312	Strainer
26	1241	Tank barb
27	2401	Supply tube, upper
28	2404	Tank

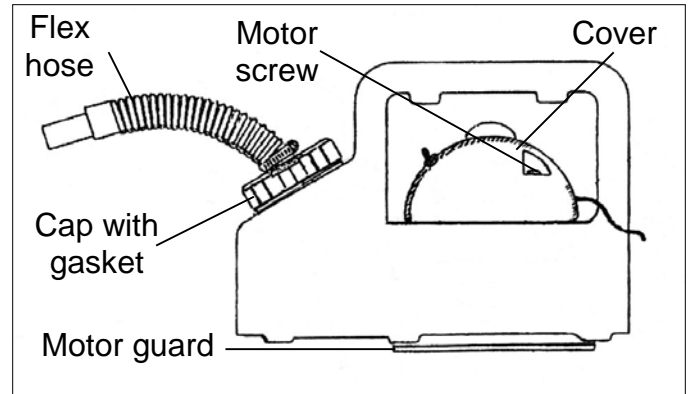
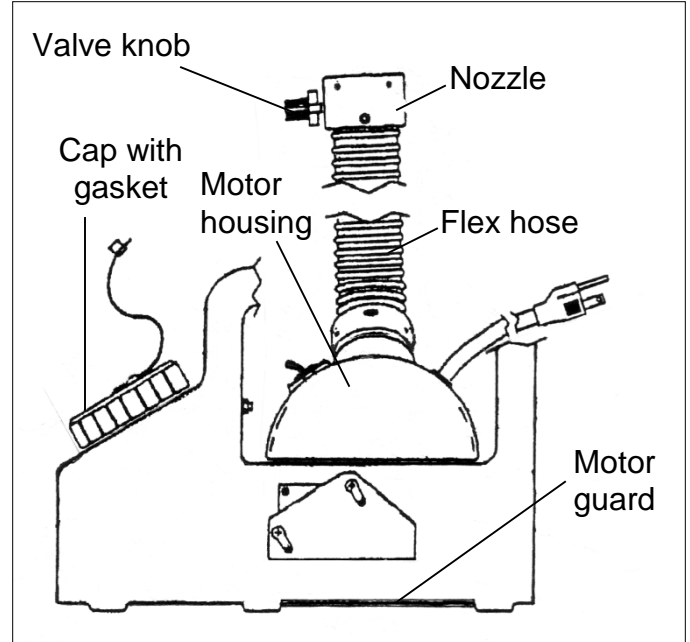
2600 FOGGER AND GRANULAR APPLICATOR PROBLEMS AND SOLUTIONS

- P.** Liquid forms around the base of the Motor housing, around the mounting screws.
- S.** The unit may have been placed in a wet location, and water has entered the motor. Operate the unit in a dry location to remove water.

- P.** The unit becomes very warm (hot) during operation.
- S.** Remove the motor guard and clean the filter below the motor.

- P.** Motor is erratic or has apparently burned out.
- S.** The unit has been operated in dusty or wet locations and the motor has been contaminated.

The unit was not properly shut down by turning off at the knob before turning off the motor.



MISCELLANEOUS REPAIR KITS

TECHNICIAN EMERGENCY KIT TE-125 (Order # 23088125)

1	PV-266	22027200	Check valve
1	P-268	22028000	Tank gasket
1	5053	22032500	Strainer assembly
1	NP-277	22029000	Plastic plunger cup
1	P-276	22029900	Lock spring
1	D-51-P	22030400	Washer (hose coupling)
1	4190	22034700	Gasket (Viton)
1	-----	24010026	Adjust.-tip gasket
1	-----	24010002	O-ring, Viton size 117
1	OR-5942	22035500	O-ring
1	OR-5943	22035800	O-ring
1	1-1935	33000022	O-ring (Viton)
1	1-1964	33000090	O-ring (Viton)
1	NG-146	22044200	Gasket (Nylon)
1	4143	22039100	Gasket, copper
1	VP-151	22045099	Valve packing
1	MS-145-50	22043800	Mesh screen
1	-----	20002010	Foam screen
1	SGH-50	22041500	Seat gasket holder
1	VP-151	22045099	Valve packing
1	SP-159	22046300	Soft seat gasket
1	DR-020	22056600	Gland pump
1	MDR-8	22058100	Seal
1	VT-621A	22060000	Valve seat gasket
1	VT-622A	22060100	Seat gasket holder
1	-----	22065800	Keroseal ring
1	1282	22071182	Seat gasket
1	-----	22071715	Cone seal 7/16
1	ACS-25	22071771	Cone seal ½
1	2677	22071977	Gasket seat

Rev 9/06

MISCELLANEOUS REPAIR KITS

REPAIR KIT FOR VERSATOOL VALVE NP-1549 (Order # 95155102)

1	TN-45	22040500	Trigger nut
1	VT-609	22058800	Trigger pin
1	VT-611	22059000	Trigger valve
1	VT-612	22059100	Screw rod
1	VT-615	22059400	Trigger lock
1	VT-616	22059500	Spring lock
1	VT-617	22059600	Screw lock
1	VT-618	22059700	Rod spring
1	VT-619	22059800	Valve rod
1	VT-621A	22060000	Valve seat gasket
1	VT-622A	22060100	Seat gasket holder
1	1138	22071038	Spacer
1	1544	22071644	Valve body
1	1-1964	33000090	O-ring

BAN-DRIP VALVE FIRST AID KIT FA-600-B (Order # 22050300)

6	PV-266	22027200	Check valve
4	P-268	22028000	Tank gasket
1	NP-270	22028600	Spreader plate
2	NP-277	22029000	Plastic plunger cup
1	P-276	22029900	Lock spring
1	D-51-P	22030400	Washer (hose coupling)
3	4190	22034700	Gasket (Viton)
2	VR-46	22040700	Valve rod with pin
1	PN-47	22040900	Packing nut (brass)
2	RP-48	22041100	Packing rod
2	RS-49	22041300	Rod spring
2	SGH-50	22041500	Seat gasket holder
3	TSG-51	22041700	Seat gasket (Teflon)

Rev 9/06

MISCELLANEOUS REPAIR KITS

39

OFFICE EMERGENCY KIT OE-126 (Order # 23088126)

1	PV-266	22027200	Check valve
1	P-268	22028000	Tank gasket
1	5053	22032500	Strainer assembly
1	NP-270	22028600	Spreader front plate
1	NP-277	22029000	Plastic plunger cup
1	P-276	22029900	Lock spring
1	D-51-P	22030400	Washer (hose coupling)
1	4190	22034700	Gasket (Viton)
1	-----	24010026	Adjust.-tip gasket
1	-----	24010002	O-ring, Viton size 117
1	OR-5942	22035500	O-ring
1	OR-5943	22035800	O-ring
1	1-1935	33000022	O-ring (Viton)
1	1-1964	33000090	O-ring (Viton)
1	NG-146	22044200	Gasket (Nylon)
1	4143	22039100	Gasket, copper
1	VP-151	22045099	Valve packing
1	MS-145-50	22043800	Mesh screen
1	-----	20002010	Foam screen
1	SGH-50	22041500	Seat gasket holder
1	VP-151	22045099	Valve packing
1	SP-159	22046300	Soft seat gasket
1	DR-020	22056600	Gland pump
1	MDR-8	22058100	Seal
1	VT-621A	22060000	Valve seat gasket
1	VT-622A	22060100	Seat gasket holder
1	#6	22065800	Keroseal ring
1	1282	22071182	Seat gasket
1	ACS-26	22071715	Cone seal 7/16
1	ACS-25	22071771	Cone seal ½
1	2677	22071977	Gasket seat
1	HA-298	22025300	Hose adapter 1/8
1	SF-5944	22036000	Seat follower
1	S-5945	22036200	Spring
1	-----	22037502	XR-Gun Trigger
1	4817	22037800	Valve stem sub-assembly

Rev 9/06