



TERMITICIDE APPLICATION TOOLS USER'S MANUAL

Safety Precautions

- Connect the tool to the supply hose and be certain the trigger is in the off position before turning on the pump.
- Do not adjust the tip while depressing the valve trigger.
- Before removing the tool from the supply hose, be certain to shut off pump and relieve pressure in the hose by depressing the trigger.
- Do not leave the tool unattended when the valve is in the ON position.
- Wear personal protection equipment that protects hands, face, eyes, and mouth.
- Read and follow all label directions on liquid termiticides before making an application.

Before Starting

- Inspect the hose, hose connections to the valve and the pump, discharge pipes, and nozzle for signs of wear or damage. These parts must be in full working condition for proper application.
- It is recommended that these tools are used at low (25 psi) pressure, and that liquid termiticides are applied at low pressure.

Operation

B&G termiticide application tools are designed to deliver liquid to soil, and voids beneath concrete slabs, and into the cavities in concrete block walls.

Application Tips*

- 7/16" and 360° spray = 2 gal/min
- 7/16" and 180° spray = 2 gal/min
- 7/16" and void spray = 2 gal/min
- 5/8" and 360° spray = 2 gal/min

* Tips are calibrated at 20 psi

The 180° tips are designed for directional application; align the tip with the orientation of the valve so that liquid termiticide will be directed at the foundation wall.

Application Pipes (Rods)

The Standard and Professional pipe sets include:

- 12" stainless steel, 7/16" diameter
- 40" stainless steel, 7/16" diameter
- 40" stainless steel, 5/8" diameter
- or
- 40" galvanized steel, 5/8" diameter

Drill a 9/16" or larger hole for treating beneath concrete slabs with 7/16" pipes, using smaller holes will damage the pipe and/or the tip.

Care and Maintenance

- Flush the valve, application pipes (rods) and tip with clean water regularly. Termiticide residue can reduce the operation and accuracy of valves and tips.
- Soil tips should be replaced regularly (2-year cycle); insertion into soil can abrade and increase the nozzle opening and the threads on the rod and tip.
- Clean the adapters on the pipes that hand-tighten to the valve; they can wear when exposed to soil.
- Replace pipes (rods) that become bent or otherwise damaged.



Trouble Shooting

Problem: VERSATOOL: Leaking around rod spring, where trigger attaches to valve

Solution: • Replace both o-rings (#33000090) on the valve rod; disassemble the trigger and push rod out from above.

Problem: VERSATOOL: Leaking at pipe connection to valve

Solution: • Use hex wrench to tighten seat gasket holder, or remove and replace seat gasket.

Problem: VERSAGUN: Leaking at pipe connection to valve

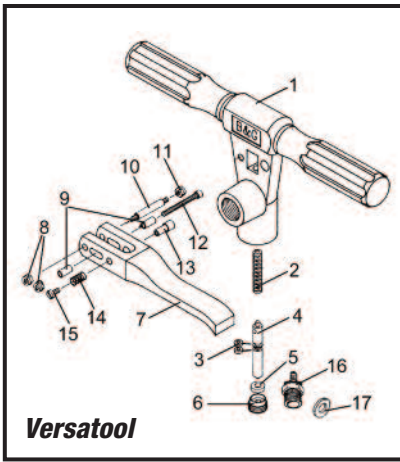
Solution: • Remove adapter at base of valve (pipe connection) and clean the tip of the shutoff stem and the seat gasket.
• If leaking continues, slightly loosen (not tighten) the lock nut at the top of the valve.

Problem: QCG GUN: Leaking from the tip, around the junction of the nosepiece and the body of the gun

Solution: • Remove the nosepiece-adapter and inspect the shut-off valve and the valve seat (gasket). Clean the tip of the shut-off valve, and turn over and replace the valve seat (gasket) in the gun.
• QCG Repair Kit - 34601-V.

Problem: QCG GUN: Leaking occurs at the back of the gun, around the large brass nut

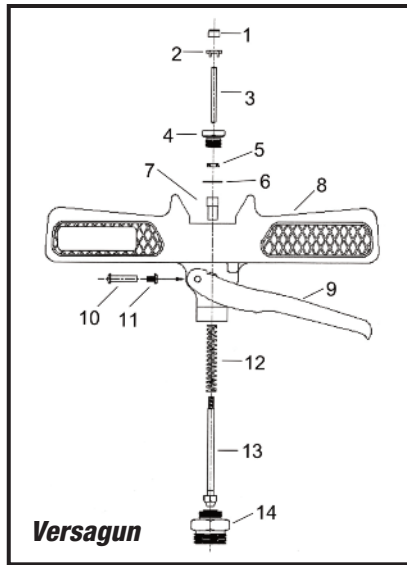
Solution: • Tighten the brass nut (gland nut) at the back of the gun. If leaking continues, disassemble the gun and replace the gasket and o-ring associated with the gland nut.



Versatool

VERSATOOL VALVE 400 SERIES

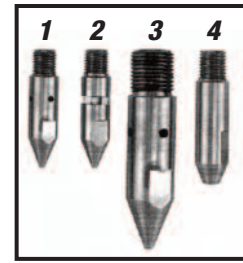
#	Part #	Description
Valve	11007407	Valve assembly
1	22071644	Valve body
2	22059700	Spring rod
3	33000090	O-Ring
4	22059800	Valve rod
5	22060000	Seat gasket
6	22060100	Seat gasket holder
7	22059000	Valve trigger
8	22040500	Hex nut
9	22071038	Spacer
10	22058800	Trigger pin
11	22040500	Hex nut
12	22059100	Rod screw
13	22059400	Trigger lock
14	22059500	Trigger lock spring
15	22059600	Trigger lock screw
16	22067518	Adapter
17	95144402	Threaded washer



Versagun

VERSAGUN VALVE 400 SERIES

#	Part #	Description
Valve	11004706	Valve assembly
1	29103309	#10-24 hex nut
2	22067513	Actuator block
3	22067512	Actuator pin
4	22067511	Packing screw
5	22067510	U-cup seal
6	22067508	Viton Seal
7	22067509	Spring spacer
8	22067575	Versagun body
9	22067515	Versagun trigger
10	22043200	Screw housing
11	22043000	Trigger screw
12	22055447	Compression spring
13	22067522	Shut-off assembly
14	22067521	Soft-seat adapter
Kit	22067554	Valve Rebuild Kit



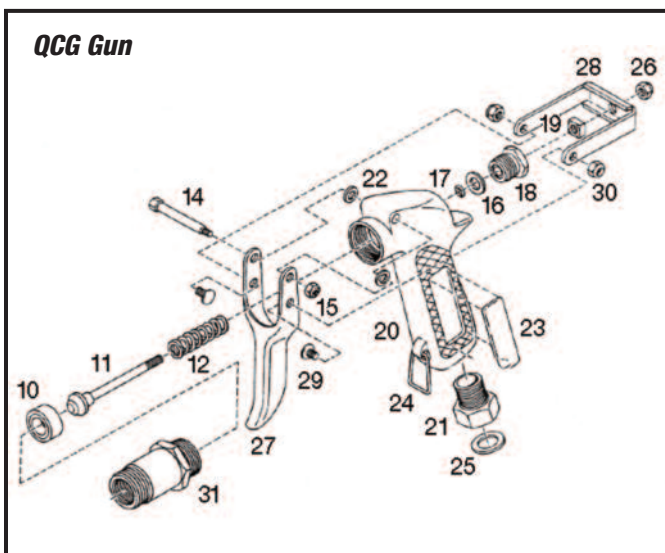
STANDARD TIP KIT

#	Part #	Comp #	Description
1	451	11007451	360° 2 gpm
2	453	11007453	180° 2 gpm
3	454	11007454	360° 2 gpm
4	457	11007457	void 2 gpm

B&G Help Line
800-544-8811



135 REGION SOUTH DRIVE
JACKSON, GA 30233
Toll Free 800-544-8811
Phone 678-688-5601
Fax 678-688-5633
www.bgequip.com



QCG Gun

PARTS LIST FOR QCG GUNS

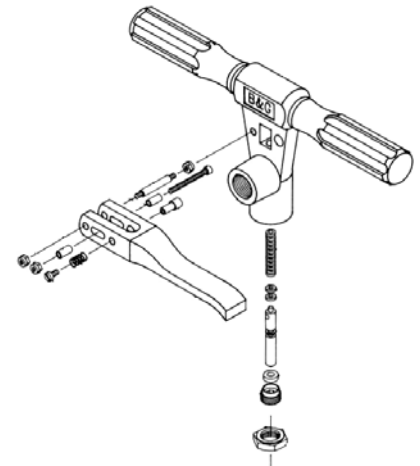
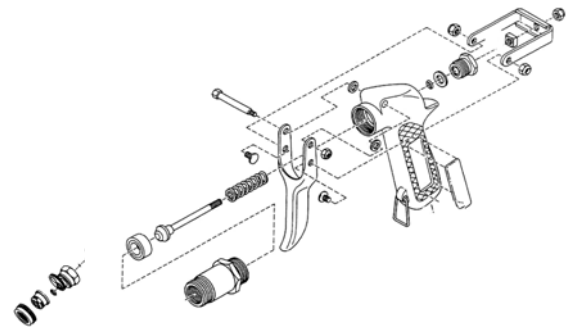
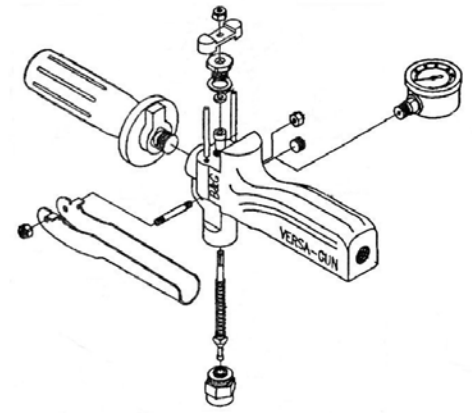
#	Part #	Description	#	Part #	Description
10	34510	Valve seat	22	34522	Pivot bolt washer
11	34511	Shutoff valve	23	34590-Q	Label
12	34512	Shutoff spring	24	34596	Trigger lock
13	34513	Trigger Asy (not shown)	25	HWN	Gasket
14	34514	Pivot bolt	26	34519-N	Lock nut, valve stem
15	34515-N	Pivot bolt nut	27	34513-A	Trigger piece
16	34516-V	Gasket	28	34513-B	Valve yolk
17	34517-V	O-ring	29	34513-C	Trigger hinge bolt
18	34518	Gland nut	30	34513-D	Hinge bolt nut
19	34519-S	Valve stem nut	31	34563	Adapter
20	34520	Handle	32	34606-6	Cone Jet Asy (not shown)
21	34521	Adapter	33	34606-12	Cone Jet Asy (not shown)

(Expanded Manual and tools older than 2005)



USER & MAINTENANCE MANUAL

Termite Tools & Equipment



B&G Equipment Company
135 Region South Drive, Jackson, GA 30233
800.544.8811 Phone 678.688.5601 Fax 678.688.5633

Rev 1/05



User's Manual: Termite Control Tools

SAFETY PRECAUTIONS

- Connect the treating tool to the supply hose before turning on the pump.
- Shut off pump and release pressure in tool before removing supply hose.
- Protect face, eyes, and mouth during application of liquid under pressure.
- Disconnect the tool from pump hose when changing tips.
- Direct spray tip only at surfaces to be treated with liquid.
- Do not leave the tool unattended with the locking mechanism engaged.
- Follow manufacturer label directions when applying termiticides.

SUGGESTED USES

Models No. 410, 420, 430, 486: These treatment tools are intended for use in the distribution of liquid termiticides in areas likely to allow entrance of subterranean termites into a structure. They are suitable for treating soil beneath outside concrete slabs (garages, porches, walkways) using the 7/16 inch pipes and foot ram, and for treating soil around the perimeter of buildings using the 5/8 inch pipe. These models do not have the tip-shutoff feature, and use indoors may result in drips on non-target surfaces. Refer to insecticide manufacturer labels for end-use restrictions on termiticides.

Models # 415, 425, 435: These tools are intended for use in the distribution of liquid termiticides in areas in areas likely to allow entrance of subterranean termites into a structure. They are suitable for treating soil beneath inside or outside concrete slabs using the 7/16 inch pipes and foot ram, and for treating soil around the perimeter of buildings using the 5/8 inch pipe. The pipes for these models have tip-shutoff and they are suitable for use indoors. Refer to insecticide manufacturer labels for end-use restrictions.

Versatool (#410, 415). This tool can be used to inject termiticide into perimeter soil, and into voids to treat soil beneath concrete slabs. It can be fitted with 5/8 and 7/16 pipes and with 1 or 2 gpm tips. Tip shut-off is a feature of Model #415.

VersaGun (#430, 435). This multiple-purpose gun can be used for broadcast spraying, injecting termiticide into perimeter soil, and for treating voids and soil beneath concrete slabs. It can be fitted with 5/8 and 7/16 pipes and 1 or 2 gpm tips. Tip shut-off is a feature of Model #435.

Robco QCG (#420, 425). This multi-purpose gun can be used to broadcast termiticide, for injecting termiticide into perimeter soil and into the voids and soil beneath concrete slabs. It can be fitted with 5/8 and 7/16 inch pipes and 1 or 2 gpm tips. Tip shut-off is a feature of Model #425

Tips # 451, 453, 457: These 2-gallon per minute tips are intended for use in applying liquid termiticides beneath concrete slabs using 7/16 inch pipes. At 25 psi the tip #451 dispenses liquid in a 360° pattern; tip #453 dispenses liquid in a 180° fan arc pattern; tip #457 delivers liquid in a straight, non-directional pattern.

Tip # 454: This 2-gallon per minute tip is intended for applying liquid termiticides in soil around the outside perimeter of buildings using 5/8 inch pipe. At 25 psi this tip dispenses liquid in a 360° pattern.

Tips # 450, 452: These 1-gallon per minute tips are intended for applying liquid termiticides beneath inside or outside concrete slabs using 7/16 inch pipes. At 25 psi tip #450 dispenses liquid in a 360° pattern; tip #452 dispenses liquid in a 180° fan arc pattern.

Tip # 455: This 5-gallon per minute tip is intended for use with 5/8 inch pipe for applying liquid fertilizer to soil around landscape trees and shrubs, and for treating the balled-root system of nursery-stock trees.

BEFORE STARTING

- Inspect all hoses, and junctions of the hose to tool and to the pump to be certain all connections are secure and not leaking.
- These tools are not recommended for use above 25 psi.

OPERATING INSTRUCTIONS

Connecting tool to the pump. These tools can be connected to the hose from the pump by using 1) a female quick-connect on the pump hose and a male quick connect on the tool (supplied by operator), or 2) a hose connected directly from the pump to the valve. The thread size of the input port in the valve is 3/8 inch female pipe thread (FPT).

Soil treatments. Manufacturer recommendations may include applying liquid termiticide into a trench adjacent to the building foundation, and to the soil below the trench adjacent to the foundation and footer. The 5/8 inch stainless or galvanized pipe is best suited for soil injection. Estimate the depth of soil above the footer to determine the distance the pipe will be inserted into the ground.

The pipe may easily enter and be removed from the soil while liquid is being applied through the tip. Application techniques include treating the trench, then pushing the pipe through the treated soil adjacent to the foundation.

Drill holes in concrete slabs. Use 9/16 inch or larger holes for sub-slab application with the 7/16 inch pipes. Holes that are 1/2 inch may cause the pipe to bind when small pieces of concrete lodge around the pipe. The pipe or valve may be damage during removal from a 1/2 inch drill hole.

Application below concrete slabs. Drill 9/16 inch holes through slab, and determine the thickness of the slab. Secure the Foot ram so that the bottom of the cone seal is an additional 1 inch from the tip as the depth of the slab. This will allow for the cone to seal the drill hole and for the tip of the pipe to extend into the void between the concrete slab and soil.

Application to structural voids. The 12 inch long 7/16 inch pipe can be used for treating in shallow voids. When the straight tip (void tip) is used, the splash guard should be placed between the void tip adapter and the void tip.

Orientation of 180° and 360° tips. To orient tip #452 and #453, first tighten the tip to the end of the pipe, then loosely tighten the pipe into the base of the valve. Orient the tip in the desired position in relation to the valve so that the liquid dispenses toward the treated surface (foundation wall), then finish tightening the pipe to the valve. The 360° tip does not require orientation.

Application. Depress fully the valve trigger to release liquid through the pipe to the tip. The trigger can be locked open on the Versatool (Model #410, #415, and #486) and the Robco QCG (Model #420 and #425). Do not leave the tool unattended with the locking mechanism engaged.

CARE AND MAINTENANCE

Routine cleaning. The tool should be flushed with clean water following every use with liquid termiticides or fertilizer. All seat gaskets, washers, and O-rings should be periodically inspected for wear, and replaced when necessary.

Versatool cleaning. The valve can be cleaned by using a 5/32 hex wrench and removing the Valve seat gasket holder from the base of the valve. Clean any dirt on the Teflon seat gasket in the Holder. Replace the gasket if it is worn or damaged. Depress the trigger on the valve then re-insert the gasket holder using the hex wrench.

Robco QCG cleaning. This gun can be cleaned by unscrewing the Nosepiece and removing the (black gasket) Valve seat. Use a soft brush or cloth to clean any dirt on the rounded end of the shutoff valve, and clean the gasket. Depress the trigger on the gun, then replace gasket and screw on the Nosepiece.

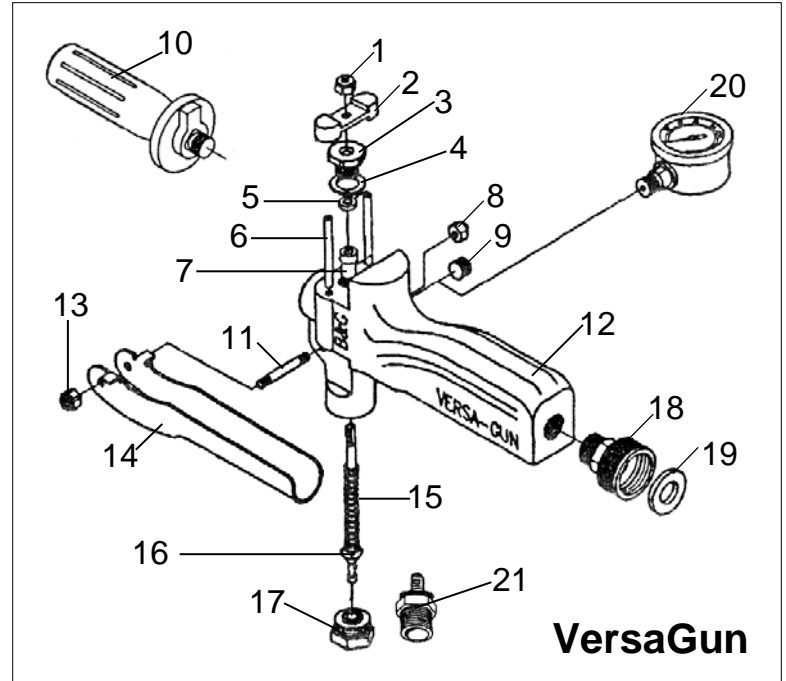
Versagun cleaning. This gun can be cleaned by removing the adapter tip, which contains the Teflon gasket in the center. Inspect and clean the gasket, replace if it is damaged or worn. Use a soft cloth or brush to clean the Shutoff stem. Depress the trigger and screw the adapter tip in the body of the valve.

TROUBLE SHOOTING

PROBLEM	SOULTION
Versatool is leaking around the Rod spring at the center of the valve handle	Replace O-rings on the Valve rod. Disassemble the Trigger, then remove the Seat gasket holder; push the Valve rod out from above
Versatool is leaking from the tip	Remove the soil pipe and in the base of the Valve tighten Seat gasket holder with a 5/32 hex wrench. If leak continues, remove the Seat gasket holder and replace the (white) Seat gasket. If tool continues to leak, replace O-rings on the Valve rod. Disassemble the Trigger, then remove Seat gasket holder; push Valve rod out from above
VersaGun leaking at the back of the valve	Loosen the Lock nut (1/4 turn) at the back of the gun – this will re-set the Shutoff stem to the gasket in the tip. If leak continues, the Packing screw may have to be removed and the packing replaced
VersaGun is leaking at the junction with the soil rod	Remove the tip and clean the exposed end of the Shutoff stem and the white gasket in the center of the tip. If leak continues, replace the tip (the gasket can not be replaced separately)
QCG Gun is leaking from around the junction of the Nosepiece and the body of the gun	Remove Nosepiece-adaptor and inspect Shutoff valve and Valve seat (gasket). Clean the tip of the Shutoff valve, and turn over the Valve seat (gasket). If leaking continues, replace the Valve seat (gasket).

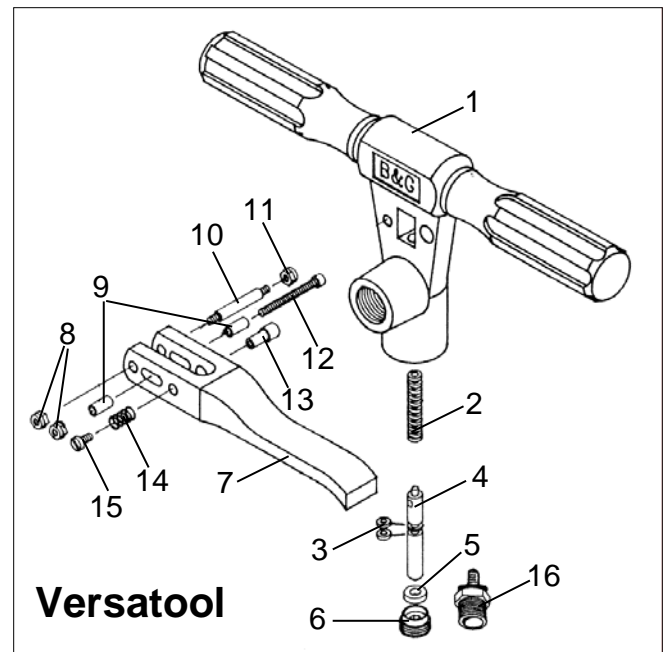
VersaGun Valve

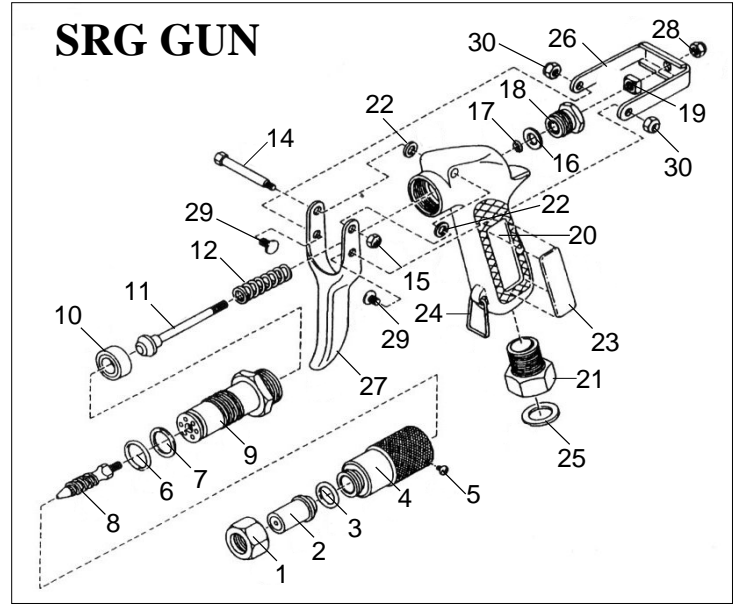
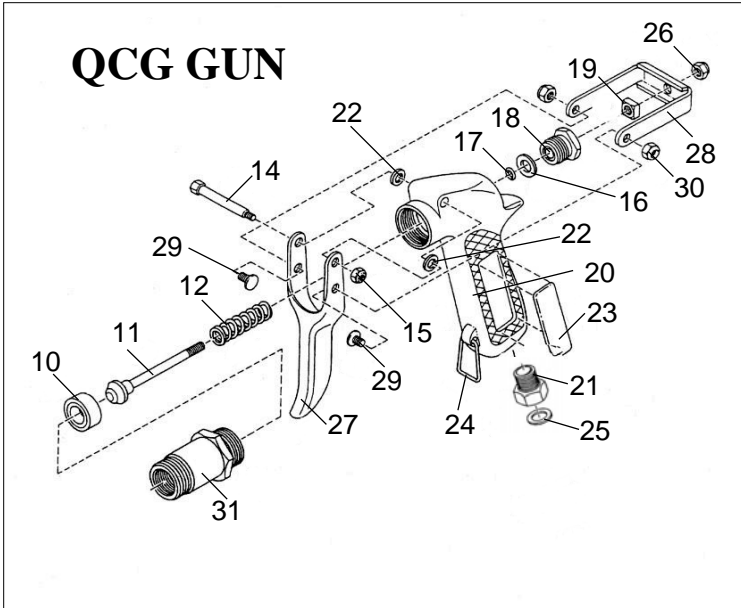
<u>#</u>	<u>Order #</u>	<u>Description</u>
Valve	22067500	Valve assembly
1	22067514	Locknut
2	22067513	Actuator block
3	22067511	Packing screw
4	22067517	Sealing washer
5	22067510	Packing gland
6	22067512	Actuator pin
7	22067509	Spring spacer
8	22067514	Locknut
9	22071285	Pipe plug 1/8 NPT
10	22067506	Versagun handle
11	22067516	Trigger pin
12	22067505	Versagun body
13	22067514	Locknut
14	22067515	Versagun trigger
15	22024410	Shutoff spring
16	22067507	Shutoff stem
17	22067503	Adapter 1/2
18	22067526	Hose fitting
19	22067527	Hose fitting washer
20	22070725	0-160 gauge
21	22067518	Adapter + washer
Kit	22067554	Valve rebuild kit (Includes 1,4 17)



Versatool Valve

<u>#</u>	<u>Part</u>	<u>Order #</u>	<u>Description</u>
Valve	1549	22071649	Valve assembly
1	1544	22071644	Valve body
2	VT-618	22059700	Spring rod
3	1-1964	33000090	O-Ring
4	VT-619	22059800	Valve rod
5	VT-621A	22060000	Seat gasket
6	VT-622A	22060100	Seat gasket holder
7	VT-611	22059000	Valve trigger
8	TN-45	22040500	Hex nut
9	1138	22071038	Spacer
10	VT-609	22058800	Trigger pin
11	TN-45	22040500	Hex nut
12	VT-612	22059100	Rod screw
13	VT-615	22059400	Trigger lock
14	VT-616	22059500	Trigger lock spring
15	VT-617	22059600	Trigger lock screw
16	-----	22067518	Adapter + washer
Kit		22028910	Valve rebuild kit (Includes 3,5,6,9,11,14)





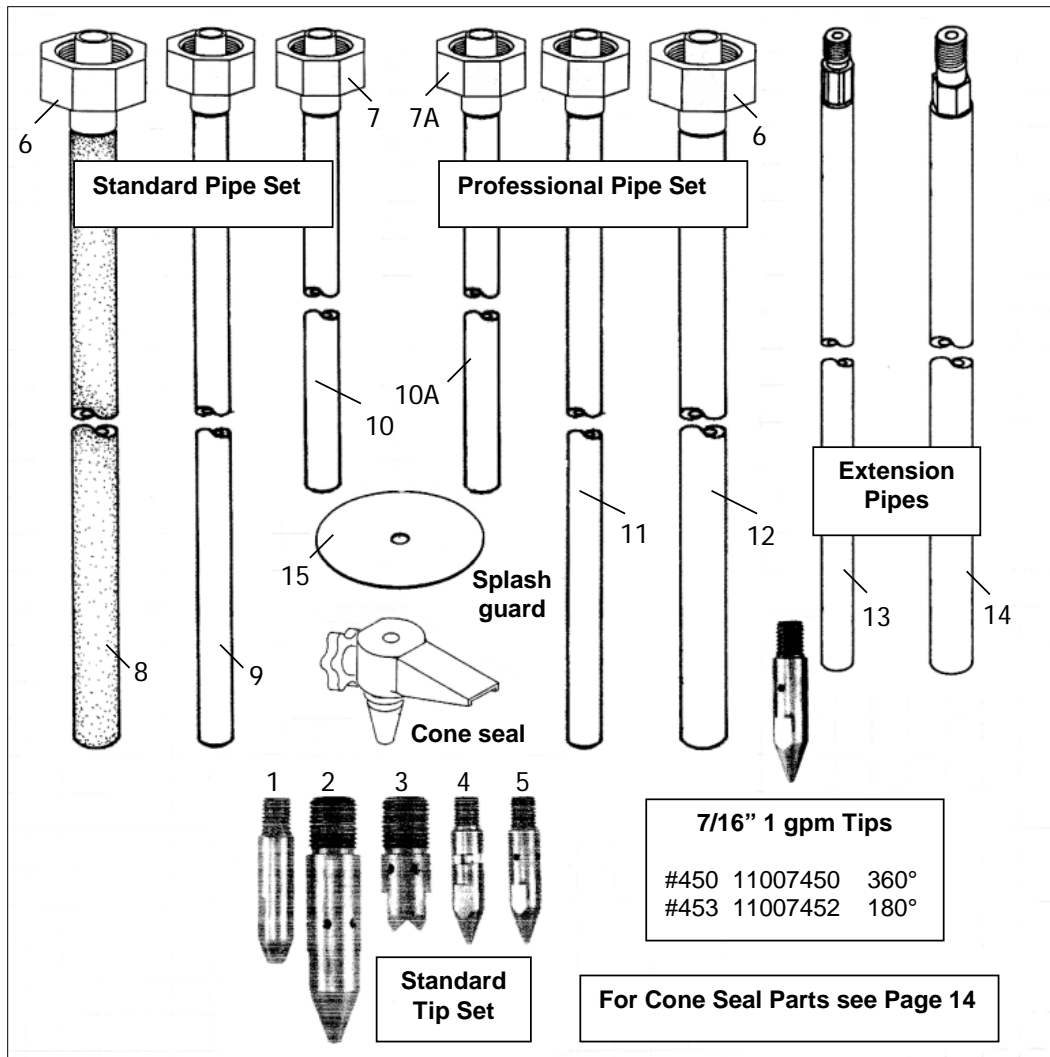
SRG AND QCG GUNS

#	Part	Description
1	34501	Nozzle nut
2	34502-6	Nozzle orifice
3	34503-V	O-ring P-14
4	34504	Adj. sleeve
5	34505	Sleeve screw
6	34506-V	O-ring P-18
7	34507	Back-up O-ring
8	34508	Pattern valve
9	34509	Valve body
10	34510	Valve seat
11	34511	Shutoff valve
12	34512	Shutoff valve spring
13	34513	Trigger assembly*
14	34514	Pivot bolt
15	34515-N	Pivot bolt nut
16	34516-V	Gasket
17	34517-V	O-ring
18	34518	Gland nut
19	34519-S	Valve stem nut
20	34520	Handle
21	34521	1/2 MPT adapter
22	34522	Pivot bolt washer
23	34590-S	Label
24	34596	Trigger lock
25	HWN	Gasket for <u>QCG</u> gun
26	34519-N	Lock nut, valve stem
27	34513-A	Trigger piece
28	34513-B	Valve yolk
29	34513-C	Trigger hinge bolt
30	34513-D	Hinge bolt nut
31	34563	Nosepiece

* Trigger assembly = #s 27-30

Rev 1/05

SERIES 400 TOOLS: PIPE SETS, EXTENSION PIPES, AND TIPS



Standard Pipe Set

#	Computer #	Description
6	22067797	1/8" adapter
7	22067798	3/8" adapter
8	22067906	5/8" x 40" galvanized
9	22067912	7/16" x 40"
10	22067904	7/16" x 12"
15	22060850	Splash guard

Professional Pipe Set

#	Computer #	Description
6	22067797	1/8" adapter
7A	22067798	3/8" adapter
10A	22071427	7/16" x 12"
11	22071428	7/16" x 40"
12	22071429	5/8" x 40"
15	22060850 22071605	Splash guard Check Valve (not shown) for 7/16 Pipes.

Standard Tip Kit

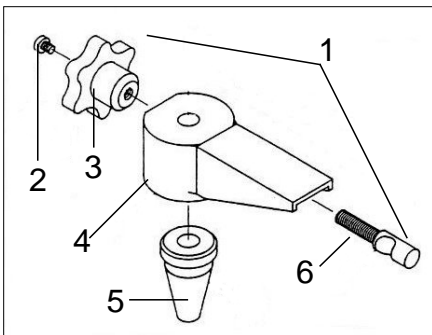
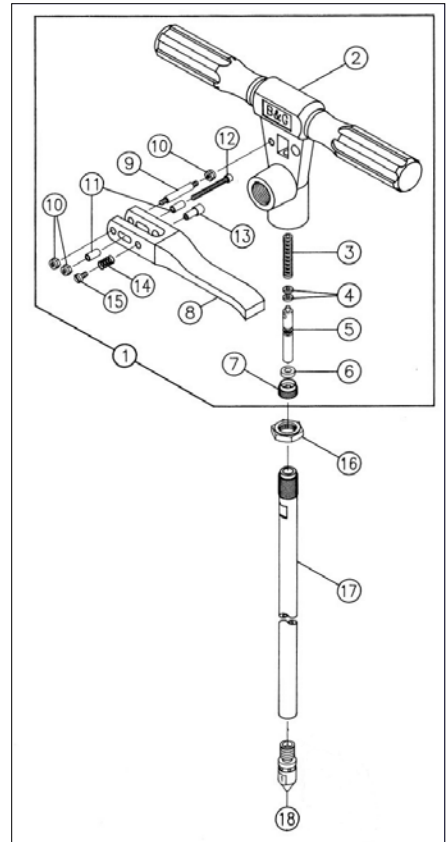
#	Part	Computer #	Description
1	457	11007457	void 2 gpm
2	455	11007455	360° 5 gpm
3	454	11007454	360° 2 gpm
4	453	11007453	180° 2 gpm
5	451	11007451	360° 2 gpm

Extension Pipes

#	Computer #	Description
13	11007460	7/16" x 40"
14	11007465	5/8" x 40"

484/486 Versatool

<u>#</u>	<u>Part</u>	<u>Order #</u>	<u>Description</u>
1	1549	22071649	Valve assembly
2	1544	22071644	Valve body
3	VT-618	22059700	Spring rod
4	1-1964	33000090	O-Ring
5	VT-619	22059800	Valve rod
6	VT-621A	22060000	Seat gasket
7	VT-622A	22060100	Seat gasket holder
8	VT-611	22059000	Valve trigger
9	VT-609	22058800	Trigger pin
10	TN-45	22040500	Hex nut
11	1138	22071038	Spacer
12	VT-612	22059100	Rod screw
13	VT-615	22059400	Trigger lock
14	VT-616	22059500	Trigger lock spring
15	VT-617	22059600	Trigger lock screw
16		22070917	Adapter
17	1340	22071940	Pipe assembly
17a	Not Shown	22071950	Check valve assm
			Check valve fits between parts 17 & 18
18	1390	22071390	Tip (6 hole)
18	1542	22071642	Fan tip 2 gpm.
	Kit	22028910	Valve rebuild kit (Includes 4,6,7,10,11,14)



Adjustable Cone Seal

<u>#</u>	<u>Part</u>	<u>Order #</u>	<u>Description</u>
1	ACS	22071775	Adj. Cone Seal
2	1145	22071045	Retaining screw
3	1380	22071380	Lock knob
4	ACS30	22071776	Foot ram
5	ACS25	22071771	Cone seal
6	1381	22071381	Lock bolt

Rev 1/05

Termite Tool Repair Kits

VERSAGUN REPAIR KIT (Order # 22067554)

1	-----	22067503	Adapter ½-20
1	-----	22067514	Locknut, Versagun
1	-----	22067517	Seal, Versagun

VERSATOOL REPAIR KIT (Order # 22028910)

2	1-1964	33000090	O-Ring
1	VT-622A	22060100	Seat gasket holder
1	TN-45	22040500	Hex nut
1	VT-616	22059500	Trigger lock spring
1	VT-621A	22060000	Seat gasket
1	1138	22071038	Spacer

SRG and QCG REPAIR KIT 1 34555-V (Order # 22067848)

1	HWN	22067536	Hose gasket
1	34516-V	22067714	Gasket, Viton
1	34517-V	22067715	O-ring PT-6
1	34503-V	22067740	O-ring, Viton
1	34506-V	22067743	O-ring, Viton
1	34507	22067744	O-ring, back-up

SRG and QCG REPAIR KIT 2 34601-V (Order # 22067748)

1	HWN	22067536	Hose gasket
1	34516-V	22067714	Gasket, Viton
1	34517-V	22067715	O-ring PT-6
1	34510	22067728	Valve seat

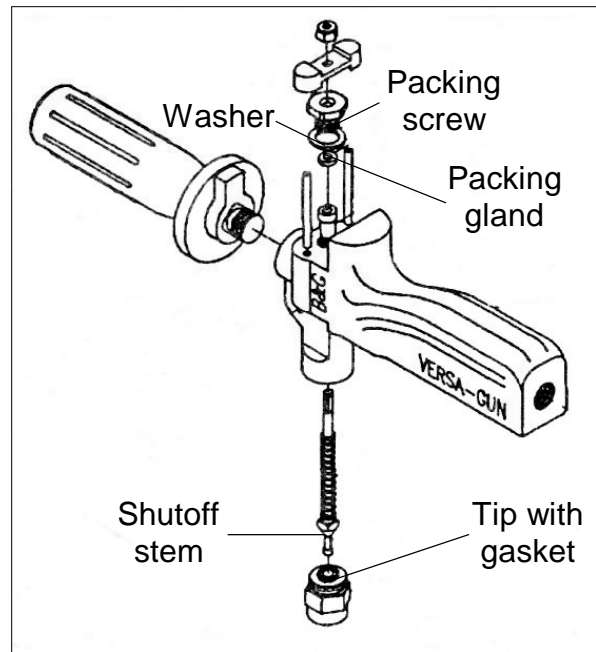
VERSAGUN PROBLEMS AND SOLUTIONS

P. Gun is leaking at the junction with the soil rod.

S. Remove the soil pipe and tighten the tip to the gun.

If leak continues, loosen and remove the tip, clean the exposed end of the Shutoff stem and the white gasket in the center of the tip.

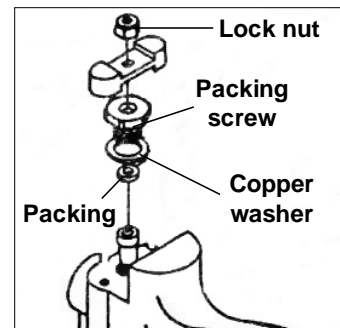
If leak continues, replace the tip, the gasket can not be replaced separately.



P. Leaking occurs at the back of the Valve.

S. Loosen the Lock nut (1/4 turn) at the back of the gun – this will re-set the Shutoff stem to the gasket in the tip.

If leak continues, the Packing screw may have to be removed and the packing replaced.



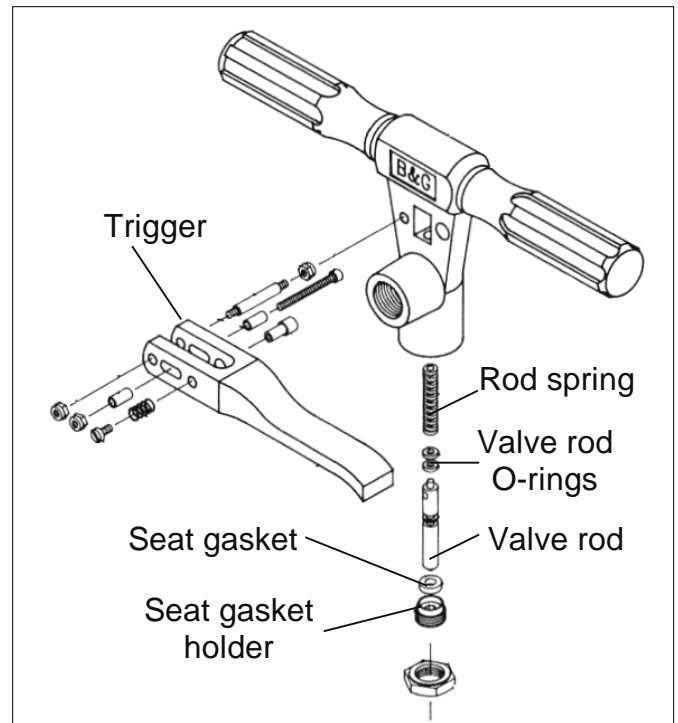
VERSATOOL PROBLEMS AND SOLUTIONS

P. Tool is leaking from the tip.

S. Remove the soil pipe and in the base of the Valve tighten the Seat gasket holder with a 5/32 hex wrench.

If tool continues to leak, remove the Seat gasket holder (5/32 hex wrench) and replace the (white) Seat gasket.

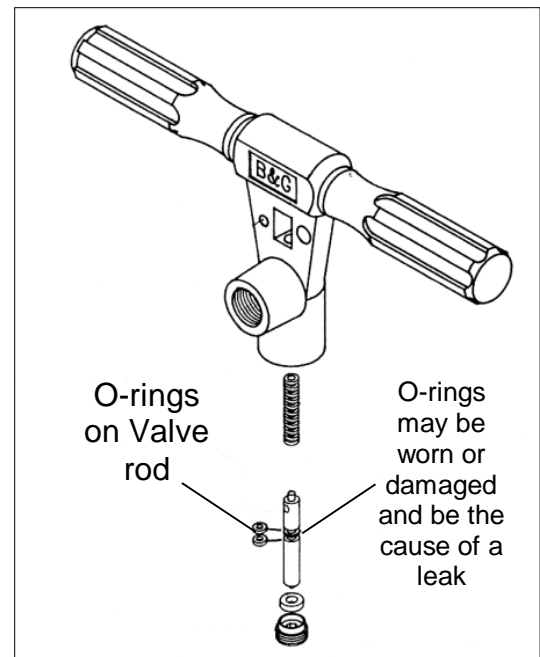
If tool continues to leak, replace O-rings on the Valve rod. Disassemble the Trigger, then remove the Seat gasket holder; push the Valve rod out from above.



P. Leaking occurs around the soil pipe connection to the Valve.

S. Remove the soil pipe and in the base of the Valve tighten the Seat gasket holder with a 5/32 hex wrench.

If leak continues, remove the Seat gasket holder (5/32 hex wrench) and replace the white seat gasket.

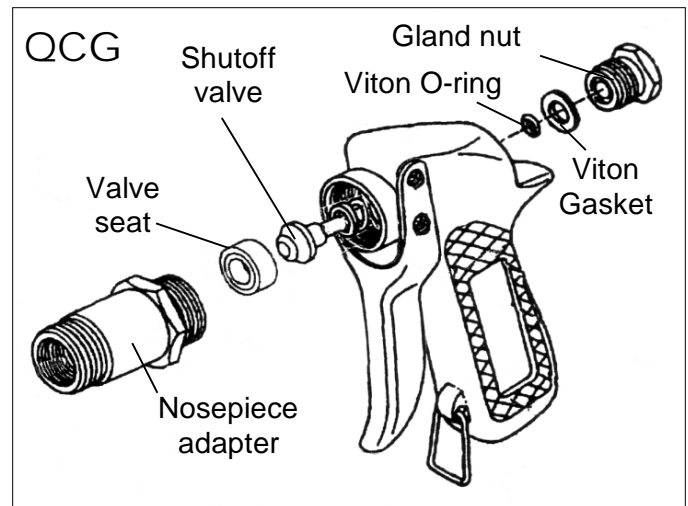


P. Leaking occurs around the Rod spring at the center of the Valve handle.

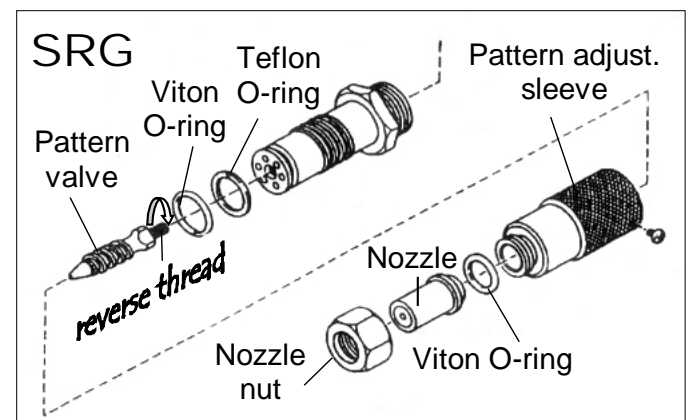
S. Replace O-rings on the Valve rod. Disassemble the Trigger, then remove the Seat gasket holder; push the Valve rod out from above.

QCG AND SRG GUN PROBLEMS AND SOLUTIONS

- P.** Gun is leaking from the tip, around the junction of the Nosepiece and the body of the gun.
- S.** Remove Nosepiece-adapter and inspect the Shutoff valve and the Valve seat (gasket). Clean the tip of the Shutoff valve, and turn over the Valve seat (gasket).
- If leaking continues, replace the Valve seat (gasket).



- P.** Leaking occurs at the back of the gun around the large brass nut.
- S.** Tighten the Gland nut at the back of the gun. If leaking continues at this site, disassemble the gun and replace the gasket and O-ring associated with the Gland nut.



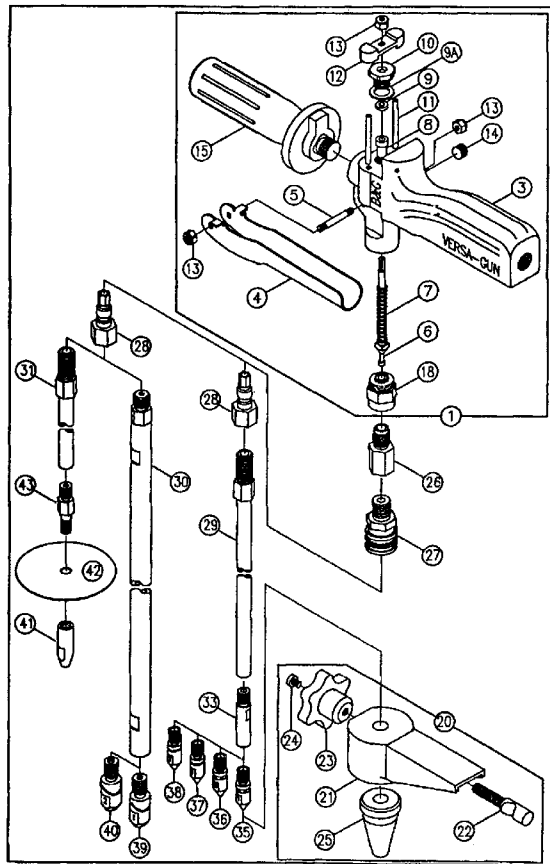
- P.** Leaking occurs around the Pattern adjust. sleeve of SRG gun.
- S.** Remove the Nozzle nut and inspect the O-ring, remove dirt from around the Nozzle.
- Remove Pattern adjustment sleeve and inspect Viton and Teflon O-rings. Replace if damaged or worn.
- Note:** Pattern valve has reversed thread to open.

QCG REPACKING KIT – 34601-V:

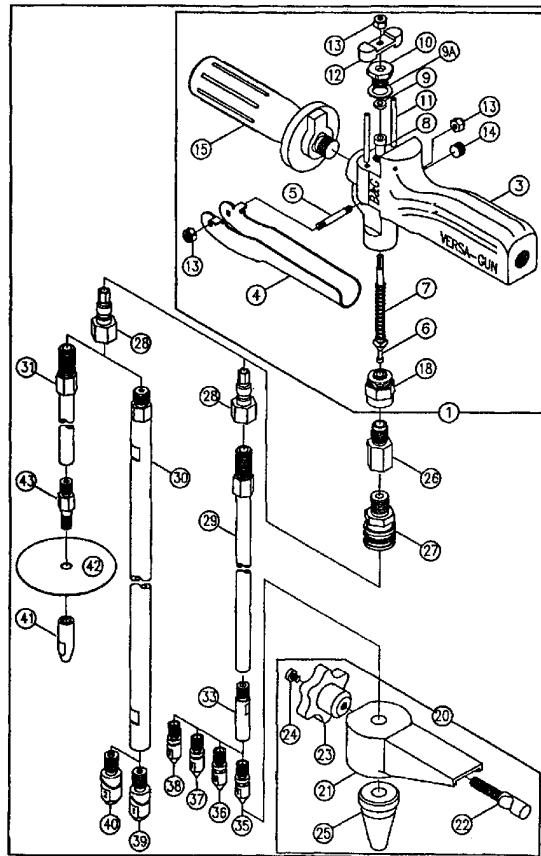
- 1 Valve seat
- 1 Viton gasket
- 1 Viton O-ring

VERSAGUN GUN TOOLS (PRIOR TO 2005)

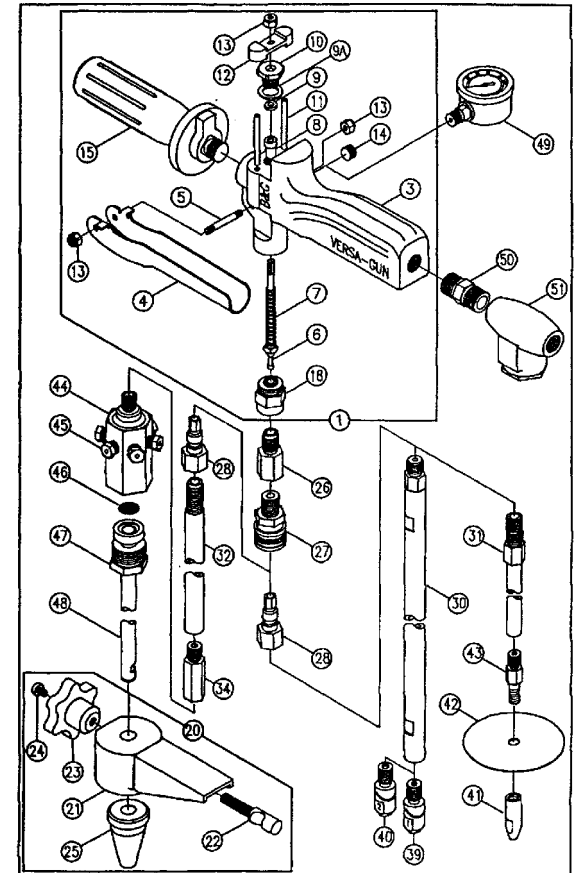
B. Versatool 480 & Soil Rodder 488



B. Versatool 480



D. Versatool 2000



TOOLS PRIOR TO 2005 (INCLUDES VT480, SLABJET 2000 & VT 2000)

VERSAGUN TERMITE TOOLS Repair Parts List

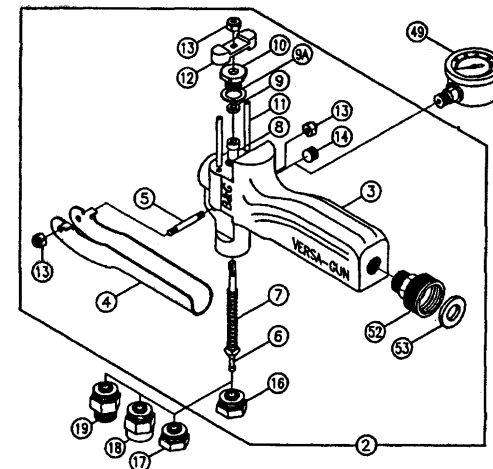
PL-VGUNS

December 12, 1997

Item No	Part No	Computer No	Description	Qty/Unit
1		22067500	Valve, Versagun Termite	1
2		22067530	Valve, Versagun 200	1
3		22067505	Body, Versagun	1
4		22067515	Trigger, Versagun	1
5		22067516	Pin, Trigger	1
6		22067507	Stem, Shutoff	1
7		22067508	Spring, Shutoff	1
8		22067509	Spacer, Spring	1
9		22067510	Gland, Packing	1
9A		22067517	Washer, Sealing (not shown)	1
10		22067511	Screw, Packing	1
11		22067512	Pin, Actuator	2
12		22067513	Block, Actuator	1
13		22067514	Locknut	3
14		22071285	Plug, Pipe 1/8 NPT	1
15		22067506	Handle, Versagun	1
16		22067501	Tip, 2 gpm	1
17		22067502	Tip, 3 gpm	1
18		22067503	Adapter, 1/2-20	1
19		22067504	Adapter, 1325 Tip Cap	1
20		22071716	Cone Seal Assembly	1
21	ACS30	22071776	Foot Ram Weldment	1
22	1381	22071381	Bolt, Lock	1
23	1380	22071380	Knob, Lock	1
24	1145	22071045	Screw, Retaining #10-24 x .25	1
25		22071715	Seal, Cone	1
26		95122354	Adapter, Quick Connect	1
27		95122356	Socket, Quick Connect	1
28		95122355	Plug, Quick Connect	2
29	1340	22071940	Pipe, Slab 7/16 x 40"	1
30	1378	22071378	Pipe, Soil 5/8 x 46"	1
31	1312	22071912	Pipe, Slab 7/16 x 12"	1
32		22071970	Shaft, SlabJet	1
33		22071950	Valve, Check (480)	1
34		22071955	Valve, Check (SlabJet)	1

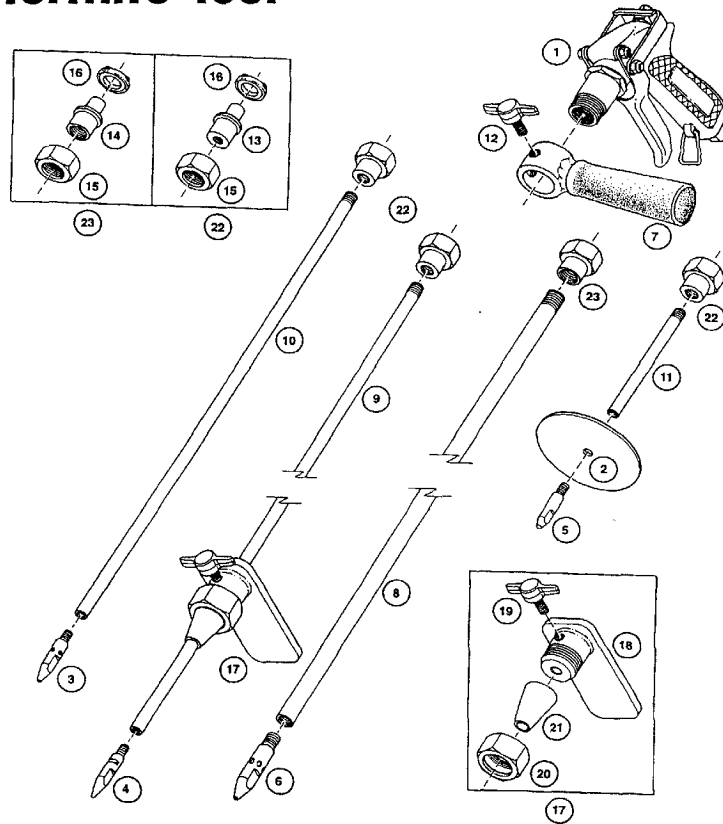
Item No	Part No	Computer No	Description	Qty/Unit
35	1389	22071389	Tip, Slab 360° 1 gpm 6 Hole	1
36	1390	22071390	Tip, Slab 360° 2 gpm 6 Hole	1
37	1543	22071643	Tip, Slab 180° 1 gpm Fan	1
38	1542	22071642	Tip, Slab 180° 2 gpm Fan	1
39	1594	22071694	Tip, Soil 180° 1 gpm Fan	1
40	1595	22071695	Tip, Soil 180° 2 gpm Fan	1
41	VT-624	22060300	Tip, Void	1
42	VT-630	22060850	Guard, Anti Splash	1
43	1540	22071640	Adapter, Male	1
44		20002001	Body, Foam Head	1
45		22051231	Valve, Air Check	6
46		20002010	Screen, Foam	1
47		20002005	Adapter, Foam Slab Pipe	1
48		20002015	Pipe, Foam 7/16 x 16"	1
49		22070725	Gauge, 0-160 psi	1
50	728	22058653	Nipple, Hex 3/8 NPT	1
51	737	22058662	Strainer	1
52		22067526	Fitting, Garden Hose	1
53		22067527	Washer, Garden Hose Fitting	1

A. Versa Gun



ROBCO TOOLS (Prior to 2005)

4-in-1 Termite Tool 34610



Parts List

Key #	Part #	Description
1	34547	Quick-Change Gun
2	34547	Splashguard Metal, for Void Injector
3	34568-L	Injection tip Lateral 4-Way, Stainless
4	34568-S	Injection tip Sub-Slab, 5° Upfan, Stainless
5	34568-C2	Injection tip Center, 2 GPM, Stainless Steel
6	34571	Injection tip for 11/16" Rod, Stainless Steel
7	34573	Push Handle with Rubber Grip
8	34576	Rod for Injector, 11/16" x 36", Galvanized
9	34583-39	Rod, .405" O.D. x 39", Stainless Steel
10	34583-24	Rod, .405" O.D. x 24", Stainless Steel
11	34583-4	Rod, .405" O.D. x 4", Stainless Steel
12	34588	Setscrew, 3/8" x 1/2", Stainless Steel
13	34611-18	Quick-Change Shank for .405" Rod
14	34511-38	Quick-Change Shank for 11/16" Rod
15	GHN	Nut for Quick-Change Adapter
16	HWN	Gasket, Buna-N
17	34656	Slab Injector Pedal Assembly
18	34657	Slab Injector Pedal Weldment
19	34594	Setscrew, 3/8" x 1", Stainless Steel
20	34659	Nut, Coneseal Retainer
21	34682	Coneseal (3-pack)
22	34605-18	Quick-Change Adapter for .405" Rod
23	34605-38	Quick-Change Adapter for 11/16" Rod