



DUST-R & GRANULAR APPLICATORS USER'S MANUAL

Safety Precautions

- Always wear personal protection equipment required by the insecticide label.
- Keep stopper and caps on all dusters while not in use and while transporting the duster
- Always follow label directions on dust or granular insecticides.

Suggested Uses

- For the application of dust and granular formulations of insecticides in cracks and crevices and voids, and perimeter treatment with granules, and dusting rodent burrows.
- The Long-Reach Granular Dust-R is for applying dust or granules un areas high above ground, such as wasp nests, attic soffits and eaves, and tree holes.

Before Starting

- Be sure the plunger moves back and forth smoothly; if not, place a small amount of graphite powder into the air port in the handle.
- Become familiar with the position of the siphon tube to ensure proper regulation of the dust applied.

Operating Instructions

Filling

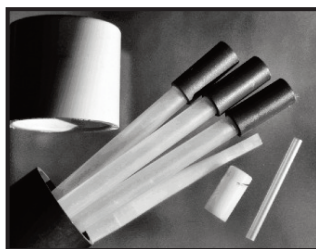
- Unscrew the cap at the end of the Mini Dust-R and fill the open end (0.5 lb. dust, 7 oz. granules)
- Unscrew the 2-qt. bottle from the end of the Hand Dust-R and Long- Reach Dust-R and add dust or granules to bottle (3/4 full).

Select Tip

- Any of the tips supplied with the unit can be used to apply dust.
- The small tips and extensions may not allow the passage of granules.

Application Tips

The application tips and extensions for the Mini Dust-R and the other models are stored inside the plunger tube. Remove end cap of the plunger tube to access the tips.

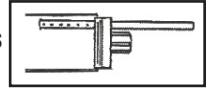


Crack and Crevice Tip

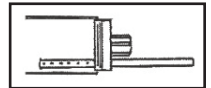
Adjusting Delivery

- The volume of dust or granules applied can be adjusted by rotating the position of the siphon tube.

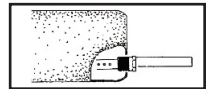
Siphon tube at top - This position delivers the least amount of dust or granules with each stroke of the plunger.



Siphon tube at the bottom - This position delivers the most amount of dust or small granules.



Hand and Long-Reach Dust-R - The upper siphon tube in the bottle can be positioned up or down to change output.



Care and Maintenance

- Keep the plunger tube lubricated; place a small amount of graphite powder in the air port regularly.
- Keep the seal and top free of dust or granules when threading the cap on the Mini Dust-R and the Hand and Long-Reach Dust-R.

Trouble Shooting

Problem: Dust leaking around the cap

Solution:

- Tighten the cap
- Replace the seal in the cap

Problem: Not enough dust delivered with each stroke

Solution:

- Turn unit until the siphon tube is at the bottom, resting in the dust
- Add marbles to container to keep dust from clumping

Problem: Dust leaking around the handle

Solution:

- Clean around the check valve at the bottom of the pump cylinder
- Replace the check valve (PV-266)

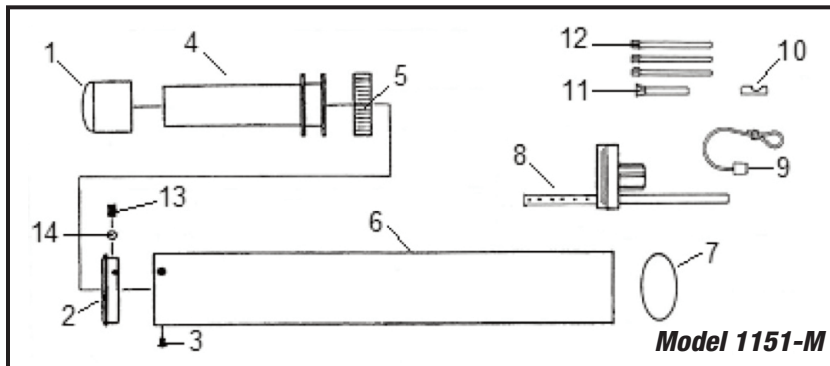
Problem: Dust leaking around the handle

Solution: Replace worn plunger gland (#DR-020)

Problem: Granules not delivered through the siphon tube

Solution:

- Upper siphon tube in Long Reach Dust-R must be plugged
- Not enough dust or granules in container
- Some granular formulations have different size particles, and some are too large for the siphon

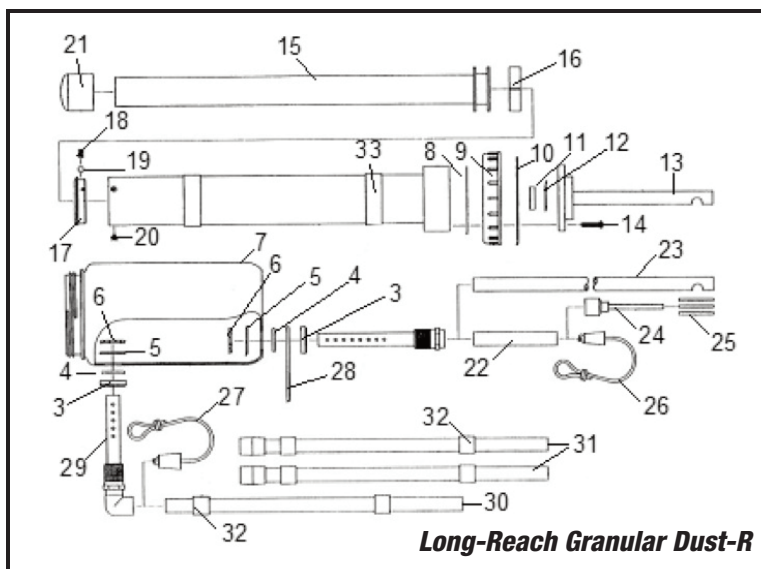
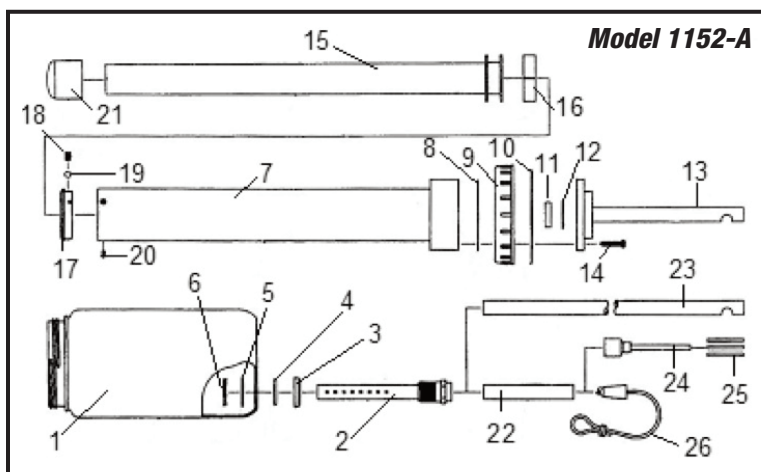


MODEL 1151-M MINI-DUST-R

| # | Part # | Description |
|----|--------|---------------------|
| 1 | MDR-1 | Cap |
| 2 | MDR-2 | Collar |
| 3 | 1174 | Screw, flat head #6 |
| 4 | MDR-4 | Plunger |
| 5 | DR-020 | Pump gland |
| 6 | MDR-7 | Barrel |
| 7 | MDR-8 | Barrel seal |
| 8 | MDR-9 | Closure |
| 9 | MDR-10 | Stopper assembly |
| 10 | MDR-11 | Tip, offset fan |
| 11 | MDR-12 | Tip, straw |
| 12 | MDR-13 | Extensions (3) |
| 13 | VT-616 | Spring |
| 14 | MDR-15 | Ball |

MODEL 1152-A HAND DUST-R LONG-REACH GRANULAR DUST-R

| # | Part # | Description |
|----|----------|---------------------|
| 1 | DR-003 | Bottle – 1152-A |
| 2 | 24050001 | Bottle – Long Reach |
| 3 | DR-027 | Outlet |
| 4 | 2273 | O-Ring |
| 5 | DR-029 | Washer |
| 6 | DR-028 | Locknut |
| 7 | DR-012 | Barrel |
| 8 | DR-010 | Seal, barrel |
| 9 | DR-009 | Bottle cap |
| 10 | DR-006 | Bottle seal |
| 11 | DR-008 | Valve |
| 12 | DR-007 | Valve plate |
| 13 | DR-005 | Valve cap |
| 14 | 1224 | Screw, hex head #8 |
| 15 | MDR-4A | Plunger |
| 16 | DR-020 | Pump gland |
| 17 | MDR-2 | Collar |
| 18 | MDR-15 | Ball |
| 19 | VT-616 | Spring |
| 20 | 1174 | Screw, flat head #6 |
| 21 | MDR-1 | Cap |
| 22 | DR-002 | Short extension |
| 23 | DR-011 | Long extension |
| 24 | 041 | Tip, pencil |
| 25 | 042 | Tip, straw |
| 26 | DR-001 | Stopper assembly |
| 27 | 24050010 | Stopper assembly |
| 28 | 24050016 | Extension clip |
| 29 | 24050008 | Granular outlet |
| 30 | 24050012 | Granular extension |
| 31 | 24050011 | Extension |
| 32 | 24050014 | Extension Velcro |
| 33 | 24050015 | Barrel Velcro |



B&G Help Line
800-544-8811

135 REGION SOUTH DRIVE • JACKSON, GA 30233
Toll Free 800-544-8811 • Phone 678-688-5601
www.bgequip.com • Fax 678-688-5633