

# EnviroMate Flex EF700

STEAM VACUUM CLEANER

ASPIRATEUR À VAPEUR

ASPIRADORA A VAPOR



INSTRUCTION MANUAL  
GUIDE D'UTILISATION  
MANUAL DE INSTRUCCIONES



ENGLISH	04
FRANÇAIS	22
ESPAÑOL	40

ENVIROMATE FLEX EF700  
STEAM VACUUM CLEANER  
INSTRUCTION MANUAL  
ENGLISH

# CONGRATULATIONS

We would like to thank you, and congratulate you for purchasing the EnviroMate FLEX steam/vacuum cleaner from Reliable Corporation.

Dry vapor steam cleaning can deep clean and sanitize your home safely and effectively.

The EnviroMate FLEX is a complete multi-use commercial cleaning unit. It functions as a steam cleaner and steam extractor as well as a wet/dry vacuum. The 6-bar steam pressure and an accessory kit that is second to none make the FLEX an ideal chemical-free alternative for cleaning and sanitizing all surfaces encountered in commercial cleaning settings.

For your safety and to fully enjoy the advantages of this product, please take a few minutes to read all the important safeguards and care instructions. Keep this manual handy for all users and review the product warranty card for your reference.

Note: your new steam/vacuum cleaner may contain small amounts of water as all are factory tested prior to shipping.

Carefully read this manual to avoid any improper use. The Manufacturer accepts no responsibility for damage to people or things deriving from improper use of the machine, incompetence, lack of caution or negligence and from the lack of compliance with the instructions provided in this manual. The pictures shown in this manual will help explain the running, safety instructions and maintenance operations of the machine. The Manufacturer reserves the right to make changes to its machines, as a result of performance optimization.

This manual is an integral part of the machine kit. It must be carefully kept within reach and consulted in case of doubt. If the machine is given to a third party, even only if it is lent out, please provide the manual together with the machine, specifying to the new user to carefully read all content before operating the machine.

# IMPORTANT SAFETY REQUIREMENTS

When using an electrical appliance, basic precautions should always be followed.  
READ ALL INSTRUCTIONS BEFORE USING THIS APPLIANCE

**WARNING: TO REDUCE THE RISK OF FIRE, ELECTRIC SHOCK, OR INJURY:**

- Do not leave appliance when plugged in. Unplug from outlet when not in use and before servicing.
- Do not use outdoors or submerged in water.
- Do not allow to be used as a toy. Close attention is necessary when used near children. Do not allow children to operate the machine.
- Use only as described in this manual. Use only manufacturer's recommended attachments.
- Do not use with damaged cord or plug. If appliance is not working as it should, has been dropped, damaged, left outdoors, or dropped into water, return it to a service center.
- Do not pull or carry by cord, use cord as a handle, close a door on cord, or pull cord around sharp edges or corners. Do not run appliance over cord. Keep cord away from heated surfaces.
- Do not unplug by pulling on cord. To unplug, grasp the plug, not the cord.
- Do not handle plug or appliance with wet hands.
- Do not put any object into machine openings. Do not use with any opening blocked; keep free of dust, lint, hair, and anything that may reduce air flow.
- Keep hair, loose clothing, fingers, and all parts of body away from machine openings and moving parts.
- Turn off all controls on the unit before unplugging.

- Use extra care when cleaning on stairs.
- Do not use to vacuum or steam flammable or combustible liquids spills or areas, such as gasoline, or use in areas where they may be present.
- Use only tap water to refill the boiler and water tank. Do not use chemicals, perfumes or other liquid.
- The hose contains electrical wires. Do not use when damaged, cut, or punctured. Avoid picking up sharp objects.
- Connect to a properly grounded outlet only. See Grounding Instructions.
- This appliance is provided with double insulation. Use only identical replacement parts.
- Do not vacuum anything that is burning or smoking, such as cigarettes, matches, or hot ashes.
- To Reduce the Risk of Fire, do not use a flammable or combustible liquid to clean a floor.
- Do not use without dust filters in place.
- Do not allow the use of the machine by inexperienced persons, without attendance. Should any damage occur on the machine, do not run it, do not connect the plug to the socket or disconnect it immediately, disconnect the power supply and contact the authorized Technical Service Centre. Repairs must be made by authorized personnel and only original spare parts must be used.

# SAVE THESE INSTRUCTIONS IN A SAFE PLACE FOR FUTURE REFERENCE

## GROUNDING INSTRUCTIONS

This appliance must be grounded. If it should malfunction or breakdown, grounding provides a path of least resistance for electric current to reduce the risk of electric shock. This appliance cord is equipped with an equipment-grounding conductor and grounding plug. The plug must be inserted into an appropriate outlet that is properly installed and grounded in accordance with all local codes and ordinances.

**WARNING** – Improper connection of the equipment-grounding conductor can result in a risk of electric shock. Check with a qualified electrician or service person if you are in doubt as to whether the outlet is properly grounded. Do not modify the plug provided with the appliance – if it will not fit the outlet, have a proper outlet installed by a qualified electrician.

This appliance is for use on a circuit having a nominal rating more than 120 volts and is factory-equipped with a specific electric cord and plug to permit connection to a proper electric circuit. Make sure that the appliance is connected to an outlet with the same configuration as the plug. No adaptor should be used with this appliance. If the appliance must be reconnected for use on a different type of electric circuit, the reconnection should be made by qualified service personnel.

## TECHNICAL CHARACTERISTICS DESCRIPTION OF THE MACHINE:

This professional high pressure and high temperature electric steam vacuum generator is a machine designed for cleaning, and sanitizing multiple surfaces, and equipment.

Using leading edge technology, the Flex EF700 boiler can generate dry saturated steam at a very high temperature and pressure for a deeper and more effective cleaning process.

The steam generator combined with a powerful vacuum cleaner allows a deep and immediate cleaning. The accessories included allow for an easy and practical use of the machine for numerous surfaces and cleaning tasks.



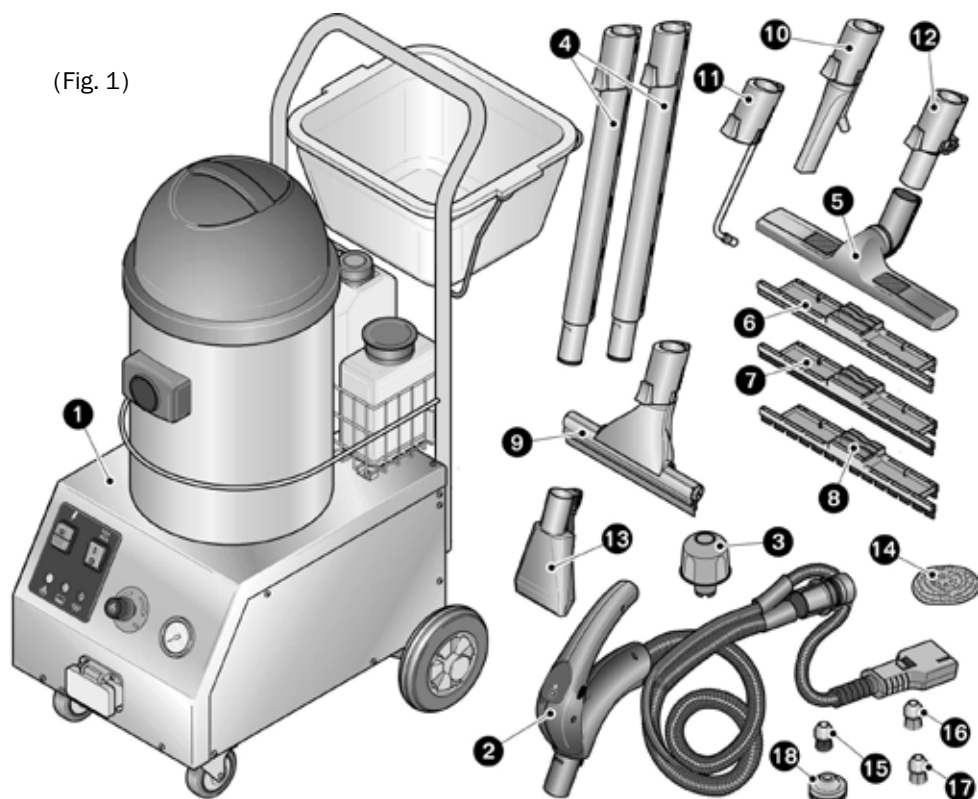
# SAFETY SYSTEMS OF THE MACHINE:

- Overpressure exhaust valve
- Pressure switch for pressure control
- Safety thermostats and thermofuses to control temperature in the boiler
- Low tension handle controls

## DESCRIPTION

MODEL	FLEX EF700
STAINLESS STEEL STRUCTURE	YES
POWER SUPPLY (V/HZ)	120/60
POWER (W)	1700
INPUT AMP	14
WORKING PRESSURE BAR	6
BOILER TEMPERATURE (C°)	150°C
STAINL. STEEL 316 BOILER (TOTAL LITRES)	2.3
WATER TANK CAPACITY (LITRES)	5
ELECTRONIC CONTROL	YES
VACUUM POWER (W)	1000 W
INITIAL START UP (MIN.)	7
LENGTH (CM)	49
WIDTH (CM)	37
HEIGHT (CM)	100
NO LOAD WEIGHT (KG.)	22
STANDARD ACCESSORY RACK	YES

(Fig. 1)

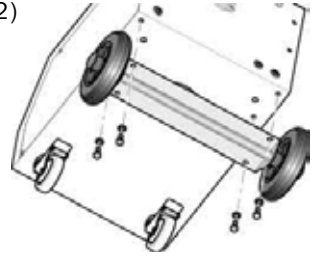


- |                                  |                                  |
|----------------------------------|----------------------------------|
| 1. Main Unit                     | 10. Connection for grout         |
| 2. Flexible hose                 | 11. Steel-tip nozzle             |
| 3. Boiler Key                    | 12. Adaptor                      |
| 4. Extension steam & vacuum hose | 13. Upholstery nozzle            |
| 5. Steam & vacuum brush          | 14. Steel wool pad X2            |
| 6. Frame for floor               | 15. Circular brush nylon 30mm X3 |
| 7. Frame for carpet              | 16. Circular brush brass 30mm X3 |
| 8. Frame for liquid              | 17. Circular brush inox 30mm X3  |
| 9. Window squeegee               | 18. Circular brush nylon 60mm    |

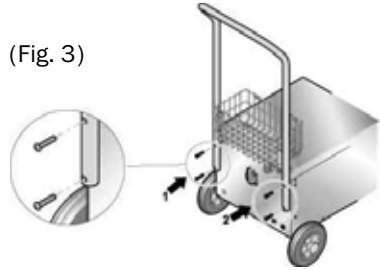
## UNIT PREPARATION/MECHANICAL MOUNTING

1. Tilt the machine on its side and affix the wheels on the bottom part of the unit (Fig. 2).
2. Mount the handle on the back side of the unit (Fig. 3).
3. Insert the water tank and the chemical tank.
4. Connect the pipe according to the labels.  
H<sub>2</sub>O → H<sub>2</sub>O  
SH → SH
5. Connect the water sensors level (detail B)(Fig. 4).
6. Insert the vacuum cleaner on the top of the unit (Fig. 5).

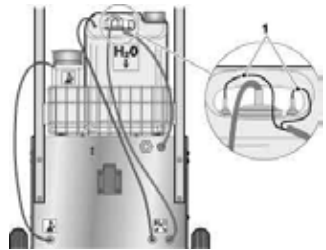
(Fig. 2)



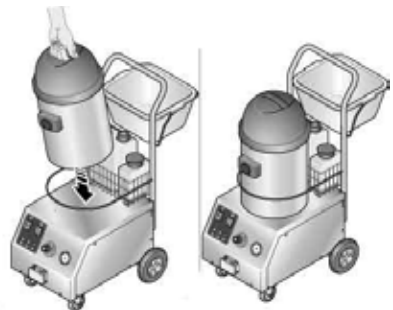
(Fig. 3)



(Fig. 4)



(Fig. 5)



7. Connect the vacuum cleaner plug into the rear socket of the unit.

(Fig. 6)

**CAUTION!** Connect only the vacuum cleaner delivered with the unit. Other vacuum cleaner or tools can damage the unit (Fig. 6).

8. Refill the water tank with tap water (1 Fig.7).

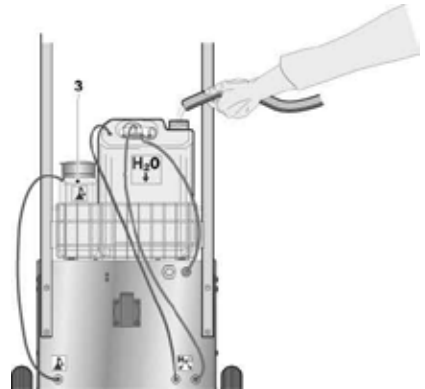
**CAUTION!** Use only tap water, never use any other substance (Fig. 7)!

9. If using chemical refill the chemical tank (2 Fig. 8).

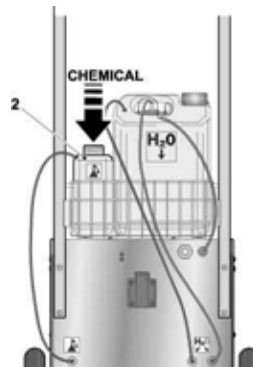
**CAUTION!** Use only products suggested by manufacturer (Fig. 8).



(Fig. 7)



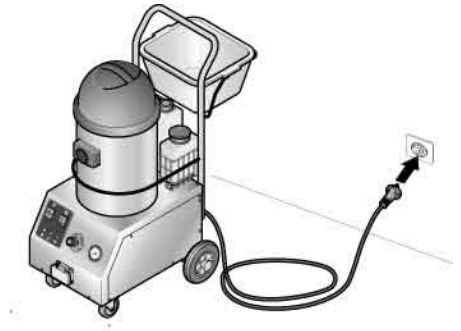
(Fig. 8)



10. Unwind the cable and insert the plug into the wall socket of a suitable wiring system. Unless otherwise stated the machine is suitable for 120V-60Hz connection (Fig. 9).

CAUTION! We will not be liable for any damage caused by operating conditions with voltages other than required! Make sure that the plug is grounded so as to avoid any problems with the generator function (Fig 9).

(Fig. 9)



### GENERAL INFORMATION

1. Main on/off switch
  2. Pressure gauge
  3. Steam pressure light
  4. Low water level indicator
  5. Chemical ejection indicator
  6. Steam quantity regulator
  7. Chemical switch
  8. Flexible hose connector
- Turn on the boiler switch (1 Fig. 11); the pressure indicator green light will flash for the time required to reach the maximum pressure level, after which it will stabilize and remain on (3).
  - Absence of water inside the tank is indicated by the flashing of the indicator (2) and by an acoustic signal on the dashboard. Immediately undertake to fill the tank.
  - After refilling the tank with water the machine will return automatically to normal functioning.

(Fig. 10)



(Fig. 11)



## PRESSURE GAUGE

(Fig. 12)

- A pressure reading gauge is present on the control panel.
- Yellow sector: minimum/medium pressure.
- Green sector: medium/maximum pressure.
- Orange sector: maximum pressure.
- Red sector: Over-pressure
- Open the latch of the hose inlet, on the machine front, and connect the hose making sure that it is properly connected (Fig. 13).
- Insert and connect the other end of the hose in the vacuum inlet (Fig. 14).
- To move the machine push from backward as shown in (Fig. 15).



(Fig. 13)



(Fig. 14)



(Fig. 15)



## FIRST FILL-UP

- If the boiler and water tank are completely empty, all system functions are disabled.
- Ensure there is water in the tank, and manually fill if empty.
- With the tank full and the boiler empty, after feeding the generator through the switches (see the "PREPARATION" paragraph), the system controls the water filling pump until the correct level is reached in the boiler. In this phase the heater is deactivated. Once filling is completed, the pump is turned off, and heating is simultaneously enabled through the boiler heater.
- Discharge any residual air from the boiler during the heating stage, by pressing switch 2 (Fig. 20) and pressing the steam delivery button 1 (Fig. 20). This operation is important, given the power of the generator to prevent excessive rise in pressure.

## LEVEL ADJUSTMENT/BOILER

- Refilling is carried out each time the level probe senses a low water level in the boiler. During normal level recovery, the heater remains enabled for heating.
- If during filling the level probe located in the tank should remain exposed, the system immediately stops refilling operations and the signal lamp (2 Fig. 9) starts blinking together with an intermittent acoustic signal.

## TANK

- Each time the tank level probe senses a low water level, the system immediately stops refilling operations and the signal lamp (2 Fig. 9) starts blinking together with an intermittent acoustic signal.
- Refill the tank to reset the alarm.

**IMPORTANT! AVOID THE USE OF DISTILLED OR DE-MINERALIZED WATER SO AS NOT TO JEOPARDIZE THE EFFICIENT FUNCTION OF THE GENERATOR.**

## STEAM EJECTION

- The steam is released by pressing the steam trigger (1)
- The steam trigger (1) may be locked with the safety catch on the grip. By pressing the safety lock on the left side of the grip will block the steam trigger (5), pressing on the opposite side will release it (6) (Fig. 16).

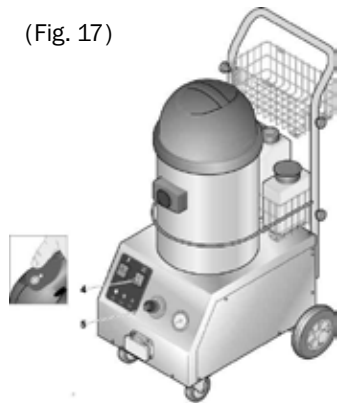
## STEAM AND CHEMICAL EJECTION

- Enable the chemical ejection by switch (4 Fig. 17).
- With the chemical ejection enabled the chemical is automatically ejected with the steam when the trigger (1 Fig. 16) is pressed.
- When chemical is released the light (5 Fig. 17) is ON.
- During operation, the machine may reach high temperatures. Do not touch the parts that come into direct contact with steam.

(Fig. 16)



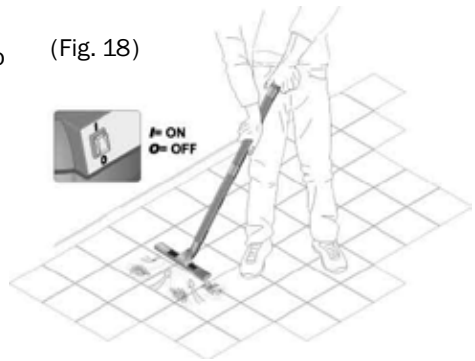
(Fig. 17)



## VACUUM

- The machine can also be made to function in "vacuum only" mode, as a powerful wet/dry vacuum cleaner. Simply by pressing the switch positioned on the suction panel (Fig. 18).
- The vacuum motor is started by pushing button (4 Fig. 16) on the handle.

(Fig. 18)



## STEAM DELIVERY AND SUCTION

- During the standard steam delivery phase, switch on the vacuum to ensure suction at the same time as steam is emitted. By pressing button (1) (Fig. 16).
- It is advisable to use the steam first then to vacuum the surface.

## ACCESSORIES

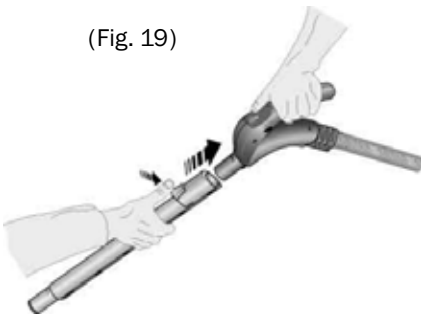
CAUTION! Accessories can be reach high temperature

- The accessories can be attached by pressing the push button (2).
- For some accessories it is necessary to use the adapter. Press the button (1) in order to fix them (Fig. 19/Fig. 20).

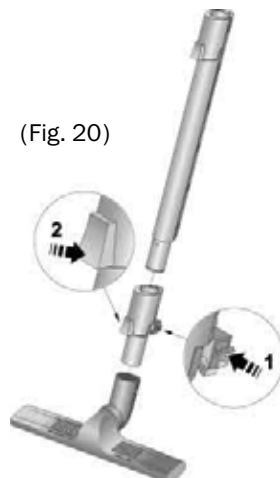
## COMPLETE NOZZLE FOR GROUT

- The steam is ejected from the metallic tip.
- You can attach the brush according to the surface to clean.
- With the front part you can vacuum the soiled steam residue from the surface (Fig. 21).

(Fig. 19)



(Fig. 20)

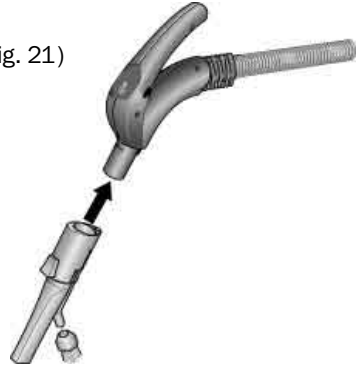




## WINDOW SQUEEGEE

- The window squeegee allows users to easily clean and degrease window.
- It can be directly fitted in the hose handle or in the extension pipes.
- In wintertime it is advisable to pre-heat the windowpanes with steam at a distance of 30-40 cm before starting cleaning.
- The window can be cleaned by enabling the two steam/vacuum functions at the same time (Fig. 22).

(Fig. 21)



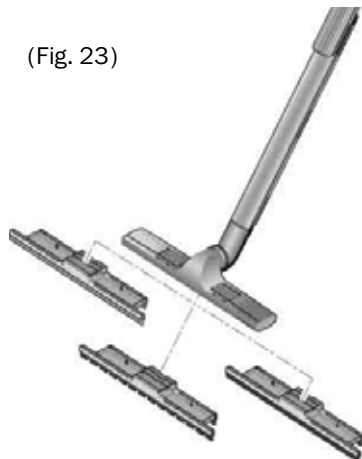
## STEAM & VACUUM BRUSH

- The brush is used for both steam cleaning and vacuum cleaning. It allows to vary the angle so to reach any corner thanks to its multi direction articulated joint. According to the type of surface to be cleaned apply the most suitable adaptor (Fig. 23).
- Double rubberized profile – wash/dry cleaning.
- Double bristle profile – dry surface vacuuming.
- Double rigid profile – mat clearing.

(Fig. 22)



(Fig. 23)



- For the correct assembly of the adaptor, release the securing hooks (1), assemble the adaptor (2) and re-close the sealing hooks (3) (Fig. 24).
- When using steam with this brush we recommend that delivery be regulated to medium/maximum position (Fig. 20).

#### TRANSPARENT BRUSH FOR UPHOLSTER

- The nozzle can release steam to clean upholstery and at the same time extract the soiled steam residue; it must be used moving it alternatively backwards and forwards on the surface to be cleaned (Fig. 25).

#### CIRCULAR BRUSH

- Different brushes are available (Fig. 26).
- The difference between brushes is based on rigidity and abrasive qualities. Select the right one according to the surface that you have to clean.
- The brushes add abrasive action to the power of the steam.

#### OPTIONAL ACCESSORIES

- Different accessories are available on request. Call technical support for more information.

#### MAINTENANCE

- Disconnect the machine from power supply before conducting maintenance operations (Fig. 27/ Fig. 28).

(Fig. 24)



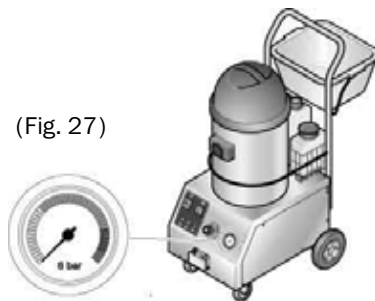
(Fig. 25)



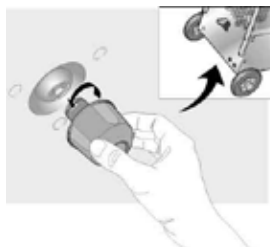
(Fig. 26)



(Fig. 27)



(Fig. 28)



- This industrial steam vacuum generator does not require any particular maintenance. It may be necessary to empty the water out of the boiler to remove any lime scale deposits. Loosen the cap on the base using the special tool supplied (3 Fig. 1). Only do so when unit is cold.
- Be sure to re-close the cap once the water has been totally discharged (Fig. 28).

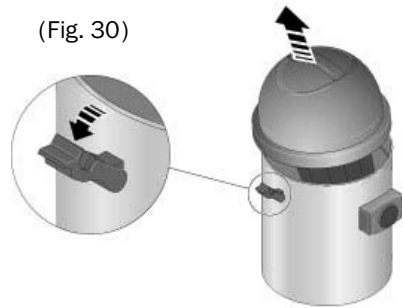
### CLEANING/EMPTYING THE VACUUM CLEANER

- After each use, or when one notices a change in the running noise or should it fail to vacuum, it will be necessary to empty the drum (Fig. 29).
- Remove the vacuum from its compartment (Fig. 30).
- Unlock the two side hooks of the vacuum device and lift the vacuum head.
- Empty and clean the vacuum cleaner (Fig. 30).
- Remove the filter (1 Fig. 31), installed below the head, by loosening the fixing cap (2).
- Clean with running water checking whether it is intact. If visibly damaged, replace it.
- Replace the vacuum compartment (Fig. 31/30) making sure to insert the plug into the relative socket should it have been previously removed.

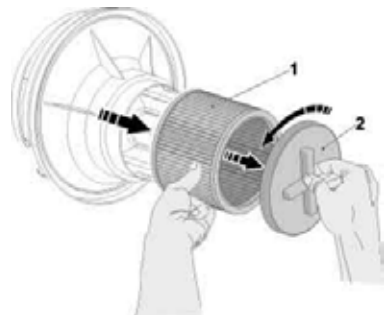
(Fig. 29)



(Fig. 30)



(Fig. 31)



## OPTIONAL STEAM KIT

The machine can work also with optional Steam Kit. The optional steam kit provides different accessories where it is possible to use only the steam or steam+chemical function.

Lock the selected accessory onto the flexible hose handle. Slip both ends on so they fit completely (Fig. 14), taking care to double-check that assembly is correct.

Press button (1) on the handgrip to enable the steam ejection.

Press the trigger (5) on the bottom of the handle to eject steam (Fig. 15).

### STEAM SUPPLY CONTROLS/CHEMICAL SUPPLY CONTROLS

- Keep button pressed (3 Fig. 16) on the handgrip to enable chemical supply, the yellow pilot light (4) on the dashboard will turn on.
- All accessories included in the supply can be assembled by simply fitting the two edges completely as shown in (Fig. 19).
- The square brush is usually employed to clean floors and for large flat surfaces. The brush is equipped with a lever allowing the handle to rotate as shown in (Fig. 20).
- Moreover 4 handy hooks allow to hang a cloth.
- Rotating triangular brush (Fig. 21).
- The rotating triangular brush is usually employed to clean small, delicate surfaces and for uneven and irregular surfaces (armchair fabric pleats). It has softer bristles. The steam is distributed directly on bristles (patented system).

### WANDS

- Wands are recommended for regular cleaning. Wands must be fitted directly on the hose handgrip or on the wand extensions.
- Both can be used coupled with the set of circular brushes (Fig. 22).

### WASHING/WIPING DEVICE

- The washing/wiping device is used to clean and wipe a surface.
- It consists of a natural bristle brush and a metal/silicone rod. It can be directly fitted in the hose handgrip or in the extensions (Fig. 24).



Reliable Corporation (“Reliable”) warrants to original purchaser of its products that every product sold by Reliable (a “Reliable Product”) is free from defects in material and workmanship for a period of one year from the date of purchase, if properly used and maintained. Subject to the conditions and limitations set forth below, Reliable will either repair or replace any part of a Reliable Product that proves defective by reason of improper workmanship or materials. If the defective Reliable Product is no longer available and cannot be repaired effectively or replaced with an identical model, Reliable shall replace the defective Reliable Product with a current Reliable Product of equal or greater value. Repaired parts or replacement products will be provided by Reliable on an exchange basis, and will be either new or refurbished to be functionally equivalent to new. If Reliable is unable to repair or replace a Reliable Product, it will refund the current value of that Reliable Product at the time the warranty claim is made.

This limited warranty does not cover any damage to a Reliable Product that results from improper installation, accident, abuse, misuse, natural disaster, insufficient or excessive electrical supply, abnormal mechanical or environmental conditions, wear and tear resulting from normal use of the product, or any unauthorized disassembly, repair, or modification. This limited warranty does not extend to any indirect, consequential or incidental damages that may be suffered by a user or from the use of a Reliable Product, including without limitation, any liability for third party claims for damage, and is limited to the amount paid by the original purchaser Reliable Product with respect to which this limited warranty protection applies. This limited warranty does not apply with respect to products that have been altered or which are missing serial numbers or for products not purchased directly from Reliable or a dealer authorized by us to sell Reliable Products.

This limited warranty is the only warranty that applies to any Reliable Product, supercedes any and all terms that may be contained in any other document or purchase order and may not be altered or amended except expressly in writing by Reliable.

To obtain a repair or replacement under the terms of this warranty, please contact our customer service group at 1-800-268-1649 or at [support@reliablecorporation.com](mailto:support@reliablecorporation.com). You will be required to submit an original receipt via fax or e-mail. The receipt must reflect that you are the original purchaser, the product was bought directly from us or from an authorized Reliable dealer and that the warranty claim is being made within the warranty period. You will be issued a return authorization number (RA#) and asked to ship the defective product together with proof of purchase and RA#, prepaid insured to the following address:

Reliable Corporation, 5-100 Wingold Avenue, Toronto, ON M6B 4K7. Freight collect shipments will be refused. The risk of loss or damage in transit will be borne by the customer. Once Reliable receives the defective product, it will initiate the repair or replacement process.

ENVIROMATE FLEX EF700  
ASPIRATEUR À VAPEUR  
GUIDE D'UTILISATION  
FRANÇAIS

# FÉLICITATIONS

Nous aimerions vous remercier et vous féliciter pour l'achat de l'aspirateur à vapeur EnviroMate FLEX de Reliable Corporation.

Le nettoyage à sec au jet de vapeur peut nettoyer en profondeur et désinfecter votre domicile de façon sûre et efficace.

L'EnviroMate FLEX est un nettoyeur commercial complet à usages multiples. Il fonctionne comme un nettoyeur à vapeur et un extracteur à vapeur et aussi comme un aspirateur à sec/humide. Sa pression de vapeur de 6 bars et son kit d'accessoires sans égal font du FLEX une alternative idéale aux produits chimiques en matière de nettoyage et de désinfection de toutes les surfaces rencontrées au sein d'installations commerciales.

Pour votre sécurité et afin de profiter pleinement des avantages de ce produit, veuillez prendre quelques minutes pour lire toutes les mises en garde et les instructions d'entretien importantes. Veuillez conserver ce manuel à portée de main de tous les utilisateurs et consulter la carte de garantie du produit en cas de besoin.

Remarque : dans la mesure où tous les appareils sont testés en usine avant l'expédition, votre nouvel aspirateur à vapeur peut contenir de petites quantités d'eau.

Veuillez lire attentivement ce manuel afin d'éviter toute utilisation incorrecte. Le fabricant rejette toute responsabilité concernant les blessures ou les dommages résultant d'une utilisation incorrecte de l'appareil, d'une incompetence, d'un manque de prudence ou d'une négligence liée au non-respect des instructions fournies dans le présent manuel. Les images présentées dans ce manuel permettent d'expliquer le fonctionnement, les instructions de sécurité et les opérations d'entretien de l'appareil. Le fabricant se réserve le droit d'effectuer des modifications de ses appareils, en raison d'une optimisation des performances.

Ce manuel fait partie intégrante de l'ensemble de l'appareil. Il doit être soigneusement conservé à portée de main et consulté en cas de doute. Si l'appareil est donné à un tiers, même lorsqu'il est uniquement prêté, veuillez aussi fournir le manuel avec ce dernier, en indiquant au nouvel utilisateur de lire attentivement l'ensemble de son contenu avant toute utilisation de l'appareil.

# IMPORTANTES INSTRUCTIONS DE SÉCURITÉ

Lors de l'utilisation d'un appareil électrique, des précautions basiques doivent toujours être observées.

VEUILLEZ LIRE L'ENSEMBLE DES INSTRUCTIONS AVANT TOUTE UTILISATION DE CET APPAREIL

AVERTISSEMENT : AFIN DE RÉDUIRE LE RISQUE D'INCENDIE, DE CHOC ÉLECTRIQUE OU DE BLESSURE :

- Ne laissez pas l'appareil branché. Débranchez-le de la prise lorsqu'il est pas utilisé ou avant tout entretien.
- Ne l'utilisez pas à l'extérieur et ne l'immergez pas dans l'eau.
- Ne laissez personne l'utiliser comme un jouet. Une attention particulière est nécessaire lorsqu'il est utilisé à proximité d'enfants. Ne laissez pas les enfants utiliser l'appareil.
- Utilisez uniquement cet appareil comme décrit dans ce manuel. Utilisez uniquement les accessoires recommandés par le fabricant.
- Ne l'utilisez pas si le cordon ou la prise est endommagé(e). Si l'appareil ne fonctionne pas comme prévu, s'il est tombé, endommagé, a été laissé à l'extérieur ou immergé dans l'eau, renvoyez-le à un centre de services.
- Ne le tirez pas et ne le transportez pas par le cordon, n'utilisez pas le cordon comme une poignée, ne fermez pas une porte sur le cordon et ne tirez pas le cordon autour de bords ou de coins tranchants. Ne faites pas passer l'appareil au-dessus du cordon. Maintenez le cordon éloigné des surfaces chauffées.
- Ne débranchez pas l'appareil en tirant sur le cordon. Pour le débrancher, saisissez la fiche, pas le cordon.
- Ne manipulez pas la fiche ni l'appareil avec les mains mouillées.
- N'insérez aucun objet à l'intérieur des ouvertures de l'appareil. N'utilisez pas l'appareil si l'une de ses ouvertures est bouchée ; maintenez à l'écart de la poussière, des peluches et de toute autre matière susceptible de réduire le flux d'air.



- Maintenez vos cheveux, vêtements lâches, doigts et toutes les autres parties du corps à l'écart des ouvertures et des pièces mobiles de l'appareil.
- Désactivez toutes les commandes de l'appareil avant de le débrancher.
- Faites preuve d'une extrême prudence lors de son utilisation dans des escaliers.
- N'utilisez pas l'appareil pour aspirer ou nettoyer à la vapeur des déversements ou des zones avec des liquides inflammables ou combustibles tels que de l'essence et évitez son utilisation dans des zones où ils peuvent être présents.
- Utilisez uniquement de l'eau du robinet pour remplir le chauffe-eau et le réservoir d'eau. N'utilisez aucun produit chimique, parfum ou autre liquide.
- Le flexible contient des câbles électriques. Ne l'utilisez pas s'il est endommagé, coupé ou percé. Évitez de ramasser des objets tranchants.
- Connectez l'appareil uniquement à une prise correctement mise à la terre. Voir les instructions de mise à la terre.
- Cet appareil est équipé d'une double isolation. Utilisez uniquement des pièces de rechange identiques.
- N'aspirez rien qui soit en combustion ou émette de la fumée tel que des cigarettes, des allumettes ou des cendres chaudes.
- Afin de réduire le risque d'incendie, n'utilisez pas de liquide inflammable ou combustible pour nettoyer un sol.
- N'utilisez pas l'appareil sans les filtres à poussière en place.
- Ne laissez aucune personne inexpérimentée utiliser l'appareil, sans supervision. Au cas où l'appareil subit des dommages, ne l'utilisez pas, ne connectez pas la fiche dans la prise et débranchez-le immédiatement, coupez l'alimentation électrique et contactez le centre de service technique agréé. Les réparations doivent être réalisées par un personnel agréé et seules les pièces de rechanges originales doivent être utilisées.

# CONSERVEZ CES INSTRUCTIONS DANS UN LIEU SÛR POUR TOUTE CONSULTATION ULTÉRIEURE

## INSTRUCTIONS DE MISE À LA TERRE

Cet appareil doit être mis à la terre. S'il venait à fonctionner incorrectement ou à tomber en panne, la mise à la terre offre une voie de moindre résistance au courant électrique afin de réduire le risque de choc électrique. Le cordon de l'appareil est équipé d'un conducteur de mise à la terre et d'une broche de mise à la terre. La fiche doit être insérée dans une prise murale adéquate correctement installée et mise à la terre conformément à tous les codes et ordonnances locales.

**AVERTISSEMENT** - Un branchement incorrect du conducteur de mise à la terre de l'appareil peut entraîner un risque de choc électrique. Consultez un électricien qualifié ou du personnel de maintenance, si vous avez des doutes quant à la mise à la terre correcte de la prise murale. Ne modifiez pas la fiche fournie avec l'appareil - si elle ne correspond pas à la prise murale, faites installer une prise appropriée par un électricien qualifié.

Cet appareil doit être utilisé sur un circuit dont la tension nominale est supérieure à 120 volts et équipé en usine d'un cordon et d'une fiche électrique spécifiques afin de permettre un branchement sur un circuit électrique approprié. Assurez-vous que l'appareil soit branché à une prise murale ayant la même configuration que la fiche. Aucun adaptateur ne devrait être utilisé avec cet appareil. Si l'appareil doit être reconnecté pour une utilisation avec un type de circuit électrique différent, le rebranchement devra être effectué par un personnel de maintenance qualifié.

## DESCRIPTION DES CARACTÉRISTIQUES TECHNIQUES DE L'APPAREIL :

Ce générateur de vapeur électrique professionnel à haute température et haute pression est un appareil destiné au nettoyage et à la désinfection de surfaces et d'équipements multiples.

Utilisant une technologie de pointe, le chauffe-eau Flex EF700 peut générer de la vapeur saturée sèche à de très hautes températures et pressions pour un processus de nettoyage efficace en profondeur.

Le générateur de vapeur combiné à un aspirateur puissant permet un nettoyage immédiat en profondeur. Les accessoires inclus permettent une utilisation simple et pratique de l'appareil pour un grand nombre de surfaces et de tâches de nettoyage.

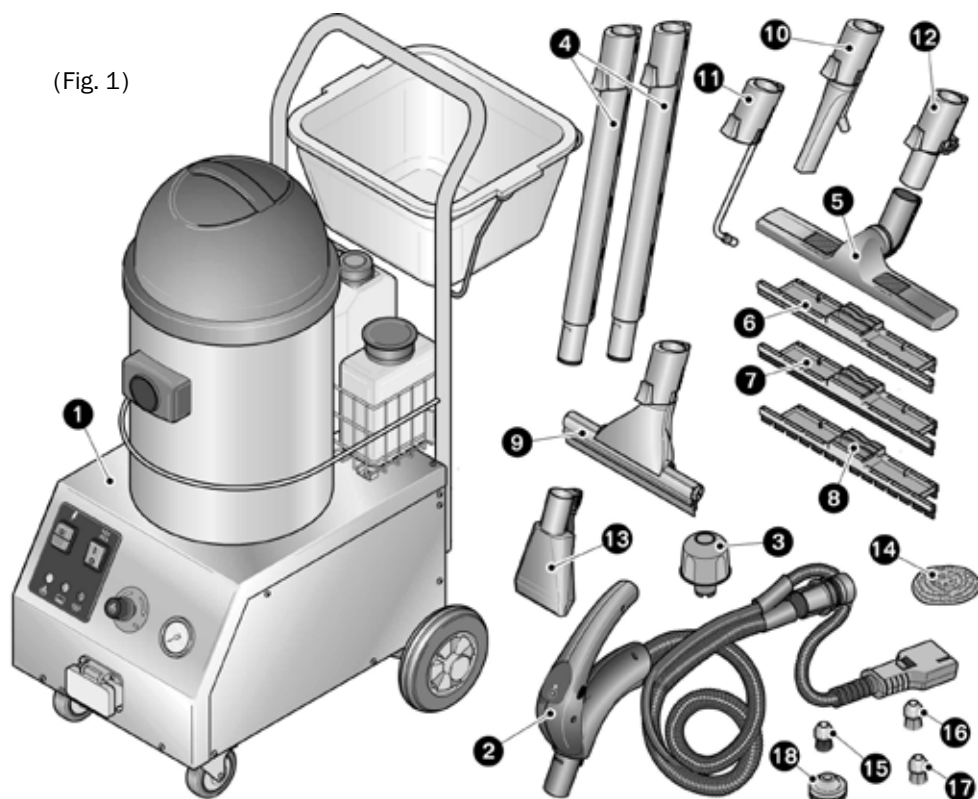
## SYSTÈMES DE SÉCURITÉ DE L'APPAREIL :

- Soupape d'évacuation de surpression.
- Pressostat pour le contrôle de la pression.
- Thermorupteur et thermofusible de sécurité pour contrôler la température dans le chauffe-eau.
- Commandes de la poignée basse tension.

## DESCRIPTION

MODÈLE	FLEX EF700
STRUCTURE EN ACIER INOXYDABLE	OUI
ALIMENTATION ÉLECTRIQUE (V/HZ)	120/60
PUISSANCE (W)	1700
AMPÉRAGE D'ENTRÉE	14
PRESSION DE FONCTIONNEMENT (BAR)	6
TEMPÉRATURE DU CHAUFFE-EAU (C°)	150°C
CHAUFFE-EAU EN ACIER INOXYDABLE 316 (CAPACITÉ TOTALE EN LITRES)	2,3
CAPACITÉ DU RÉSERVOIR D'EAU (LITRES)	5
COMMANDE ÉLECTRONIQUE	OUI
PUISSANCE D'ASPIRATION (W)	1000 W
DÉMARRAGE INITIAL (MIN.)	7
LONGUEUR (CM)	49
LARGEUR (CM)	37
HAUTEUR (CM)	100
POIDS À VIDE (KG)	22
RAIL PORTE-ACCESSOIRES STANDARD	OUI

(Fig. 1)

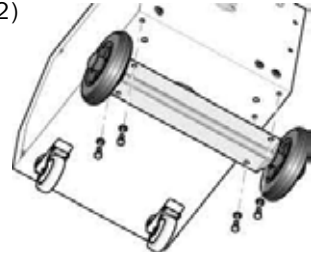


- |    |   |     |  |
|----|---|-----|--|
| 1. | Unité Principale                            | 10. | Raccordement pour coulis               |
| 2. | Tuyau flexible                              | 11. | Embout en acier                        |
| 3. | Clé du chauffe-eau                          | 12. | Adaptateur                             |
| 4. | Tuyau d'extension d'aspiration et de vapeur | 13. | Embout pour tapisseries                |
| 5. | Brosse d'aspiration et de vapeur            | 14. | Tampon en laine d'acier X2             |
| 6. | Châssis pour sol                            | 15. | Brosse circulaire en nylon de 30mm X3  |
| 7. | Châssis pour tapis                          | 16. | Brosse circulaire en laiton de 30mm X3 |
| 8. | Châssis pour liquides                       | 17. | Brosse circulaire en inox de 30mm X3   |
| 9. | Raclette pour vitres                        | 18. | Brosse circulaire en nylon 60mm        |

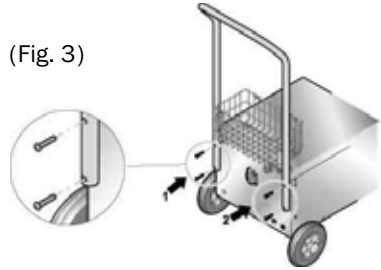
## PRÉPARATION DE L'APPAREIL/MONTAGE MÉCANIQUE

1. Penchez l'appareil sur son flanc et fixez les roues sur la partie inférieure de l'appareil (Fig. 2).
2. Montez la poignée à l'arrière de l'appareil (Fig. 3).
3. Insérez le réservoir d'eau et le réservoir de produit chimique.
4. Connectez le tuyau conformément aux étiquettes.  
H2O → H2O  
SH → SH
5. Raccordez les jauges de niveau d'eau (détail B)(Fig. 4).
6. Insérez le nettoyeur à vapeur sur le dessus de l'appareil (Fig. 5).

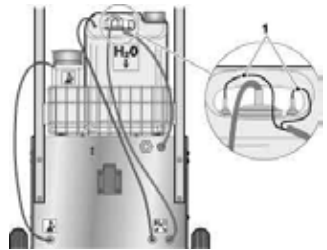
(Fig. 2)



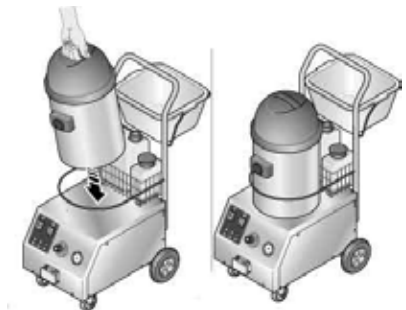
(Fig. 3)



(Fig. 4)



(Fig. 5)



7. Raccordez la fiche du nettoyeur à vapeur dans la prise située à l'arrière de l'unité.

(Fig. 6)

**ATTENTION !** Connectez uniquement le nettoyeur à vapeur fourni avec l'appareil. Tout autre nettoyeur à vapeur ou outil peut endommager l'appareil (Fig. 6).

8. Remplissez le réservoir d'eau avec de l'eau du robinet (1 Fig. 7).

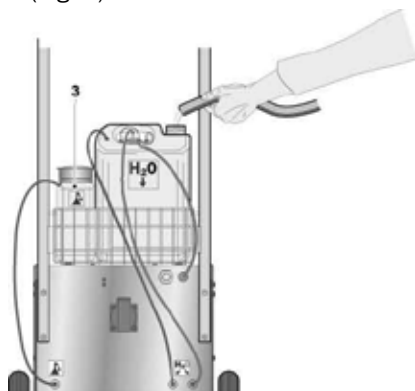
**ATTENTION !** Utilisez uniquement de l'eau du robinet, n'utilisez jamais d'autres substances (Fig. 7) !

9. En cas d'utilisation de produits chimiques, remplissez le réservoir de produits de chimique (2 Fig. 8).

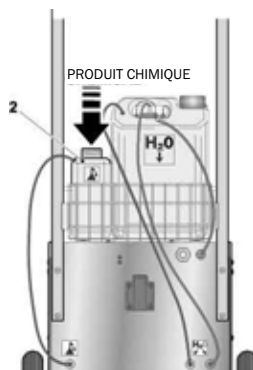
**ATTENTION !** Utilisez uniquement les produits recommandés par le fabricant (Fig. 8).



(Fig. 7)



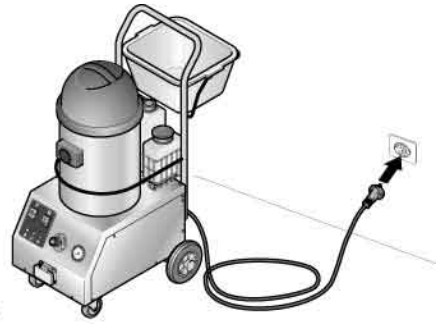
(Fig. 8)



10. Déroulez le câble et insérez la fiche dans la prise murale d'un système électrique adapté. Sauf indications contraires, l'appareil convient pour une connexion de 120V-60Hz (Fig. 9).

ATTENTION ! Nous rejetons toute responsabilité pour tout dommage causé par des conditions d'utilisation avec des tensions différentes de celles requises ! Assurez-vous que la fiche soit mise à la terre afin d'éviter tout problème de la fonction du générateur (Fig. 9).

(Fig. 9)



## INFORMATIONS GÉNÉRALES

1. Interrupteur principal
2. Manomètre
3. Indicateur lumineux de la pression de la vapeur
4. Indicateur de niveau d'eau faible
5. Indicateur d'éjection du produit chimique
6. Régulateur de la quantité de vapeur
7. Interrupteur pour produit chimique
8. Raccord de tuyau flexible

(Fig. 10)



- Activez l'interrupteur du chauffe-eau (1 Fig. 11) ; l'indicateur lumineux de couleur verte de pression clignotera durant le temps nécessaire pour atteindre la pression maximale, après quoi il se stabilisera et restera allumé (3).
- L'absence d'eau à l'intérieur du réservoir est indiqué par le clignotement de l'indicateur (2) et par un signal sonore provenant du tableau de bord. Préparez-vous immédiatement à remplir le réservoir.
- Après avoir rempli le réservoir d'eau, l'appareil reviendra automatiquement à un fonctionnement normal.

(Fig. 11)



## MANOMÈTRE

(Fig. 12)

- Une jauge de lecture de la pression est présente sur le tableau de contrôle.
- Secteur jaune : pression minimum/moyenne.
- Secteur vert : pression moyenne/maximum.
- Secteur orange : pression maximum.
- Secteur rouge : Surpression
- Ouvrez le verrouillage de l'arrivée du tuyau, à l'avant de l'appareil, et raccordez le tuyau en vous assurant qu'il soit correctement raccordé (Fig. 13).
- Insérez et raccordez l'autre extrémité du tuyau dans l'entrée d'aspiration (Fig. 14).
- Pour déplacer l'appareil, poussez-le par l'arrière tel qu'illustré sur la figure (Fig. 15).



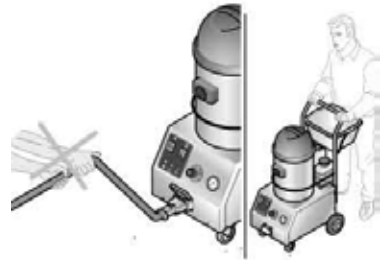
(Fig. 13)



(Fig. 14)



(Fig. 15)



## PREMIER REMPLISSAGE

- Si le chauffe-eau et le réservoir d'eau sont complètement vides, toutes les fonctions du système sont désactivées.
- Assurez-vous qu'il y ait de l'eau dans le réservoir et remplissez-le manuellement s'il est vide.
- Avec le réservoir rempli et le chauffe-eau vide, après avoir alimenté le générateur à l'aide des interrupteurs (voir le paragraphe « PRÉPARATION »), le système contrôle la pompe de remplissage de l'eau jusqu'à ce qu'un niveau correct soit atteint dans le chauffe-eau. Au cours de cette phase, le chauffage est désactivé. Dès que le remplissage est terminé, la pompe est désactivée et le chauffage est activé au même moment dans le chauffe-eau.
- Déchargez tout l'air résiduel contenu dans le chauffe-eau au cours de l'étape de chauffage en appuyant sur l'interrupteur 2 (Fig. 20) et en appuyant sur le bouton d'alimentation de la vapeur 1 (Fig. 20). Cette opération est importante, étant donné la puissance du générateur pour éviter toute élévation excessive de la pression.



## RÉGLAGE DU NIVEAU/CHAUFFE-EAU

- Le remplissage est effectué à chaque fois que le capteur de niveau détecte un niveau d'eau faible dans le chauffe-eau. Lors de la récupération du niveau normal, le chauffage du chauffe-eau reste activé.
- Si lors du remplissage, le capteur de niveau situé dans le réservoir venait à rester exposé, le système arrêterait immédiatement les opérations de remplissage et l'indicateur (2 Fig. 9) commencerait à clignoter et serait accompagné d'une signal sonore intermittent.

## RÉSERVOIR

- À chaque fois que le capteur de niveau du réservoir détecte un niveau d'eau faible, le système arrête immédiatement les opérations de remplissage et l'indicateur lumineux (2 Fig. 9) commence à clignoter, accompagné d'un signal sonore intermittent.
- Remplissez le réservoir afin de réinitialiser l'alarme.

**IMPORTANT ! ÉVITEZ D'UTILISER DE L'EAU DISTILLÉE OU DÉMINÉRALISÉE AFIN DE NE PAS COMPROMETTRE L'EFFICACITÉ DU GÉNÉRATEUR.**

## ÉJECTION DE VAPEUR

- La vapeur est libérée en appuyant sur la gâchette à vapeur (1)
- La gâchette à vapeur (1) peut être verrouillée à l'aide du cran de sûreté sur la poignée. Appuyer sur le cran de sûreté situé du côté gauche de la poignée permet de bloquer la gâchette à vapeur (5), appuyer du côté opposé permet de la libérer (6) (Fig. 16).

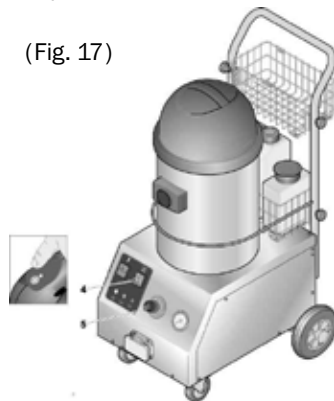
## ÉJECTION DE VAPEUR ET DE PRODUIT CHIMIQUE

- Activez l'éjection de produit chimique à l'aide de l'interrupteur (4 Fig. 17).
- L'éjection de produit chimique étant activée, le produit chimique est automatiquement éjecté avec la vapeur lorsque la gâchette (1 Fig. 16) est enfoncée.
- Lorsque le produit chimique est libéré, l'indicateur lumineux (5 Fig. 17) est allumé.
- En cours d'utilisation, l'appareil peut atteindre des températures élevées. Ne touchez pas les parties qui sont en contact direct avec la vapeur.

(Fig. 16)



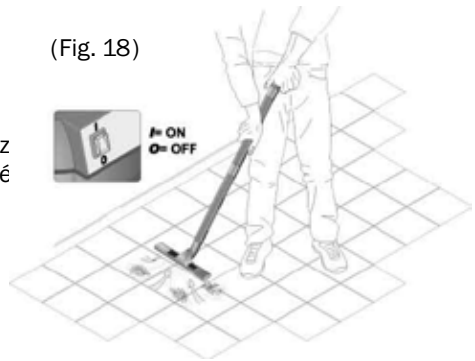
(Fig. 17)



## ASPIRATION

- L'appareil peut également fonctionner en mode « aspiration uniquement », tout comme un aspirateur à sec/humide. Appuyez simplement sur l'interrupteur situé sur le panneau d'aspiration (Fig. 18).
- Le moteur d'aspiration démarre lorsque le bouton (4 Fig. 16) situé sur le manche est enfoncé.

(Fig. 18)



## APPROVISIONNEMENT DE LA VAPEUR ET ASPIRATION

- Au cours de la phase standard d'approvisionnement de vapeur, activez l'aspiration afin de garantir qu'elle ait lieu en même temps que l'émission de vapeur. En appuyant sur le bouton (1) (Fig. 16).
- Il est recommandé d'utiliser d'abord la vapeur et ensuite d'aspirer la surface.

## ACCESSOIRES

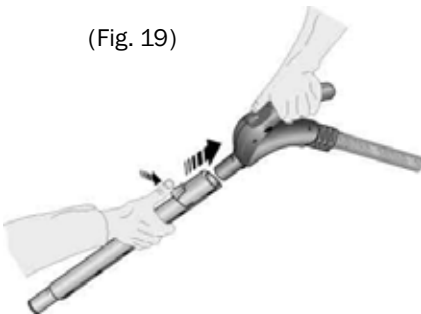
ATTENTION ! Les accessoires peuvent atteindre des températures élevées

- Les accessoires peuvent être fixés en appuyant sur le bouton-poussoir (2).
- Pour certains accessoires, il est nécessaire d'utiliser l'adaptateur. Appuyez sur le bouton (1) pour les fixer (Fig. 19/ Fig. 20).

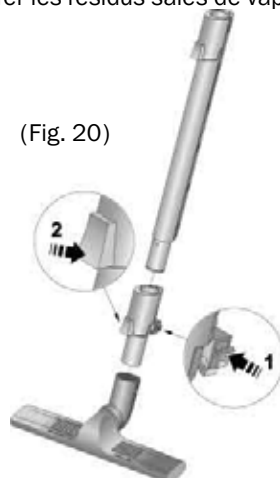
## EMBOUT COMPLET POUR COULIS

- La vapeur est éjectée par l'embout métallique.
- Vous pouvez fixer la brosse en fonction de la surface à nettoyer.
- À l'aide de la partie avant, vous pouvez aspirer les résidus sales de vapeur de la surface (Fig. 21).

(Fig. 19)



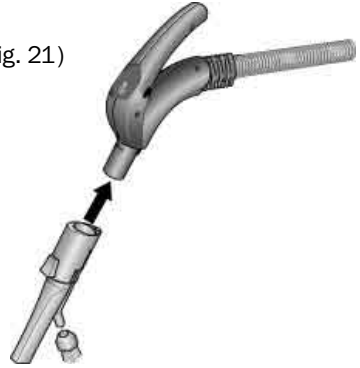
(Fig. 20)



## RACLETTE POUR VITRES

- La raclette pour vitres permet aux utilisateurs de nettoyer et de dégraisser facilement les vitres.
- Elle peut être directement adaptée au manche du tuyau ou aux tuyaux prolongateurs.
- En hiver, il est préférable de préchauffer les vitres à l'aide de la vapeur en respectant une distance de 30 à 40 cm avant de commencer le nettoyage.
- La vitre peut être nettoyée en activant les deux fonctions vapeur/ aspiration en même temps (Fig. 22).

(Fig. 21)



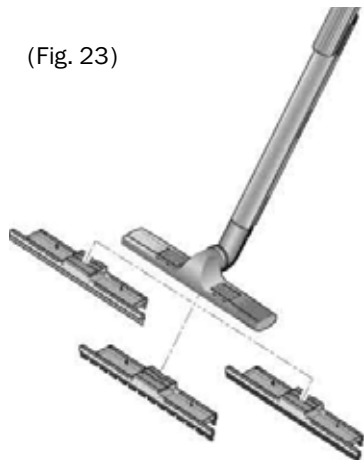
(Fig. 22)



## BROSSE D'ASPIRATION ET DE VAPEUR

- La brosse est utilisée pour les deux opérations de nettoyage par aspiration et à la vapeur. Elle permet grâce à son articulation multidirectionnelle de varier l'angle, permettant ainsi d'atteindre les coins. Appliquez l'adaptateur le plus adapté au type de surface à nettoyer (Fig. 23).
- Profil caoutchouté double - lavage/nettoyage à sec.
- Profil en soie double - aspiration des surfaces sèches.
- Profil rigide double - lavage des tapis de sol.

(Fig. 23)



- Pour monter correctement l'adaptateur, libérez les crochets de fixation (1), montez l'adaptateur (2) et refermez les crochets de fixation (3) (Fig. 24).
- Lors de l'utilisation de la vapeur avec cette brosse, nous recommandons de régler l'alimentation en vapeur sur la position moyenne/maximum (Fig. 20).

#### BROSSE TRANSPARENTE POUR REMBOURRAGE

- L'embout permet de libérer la vapeur pour nettoyer les rembourrages et extraire en même temps les résidus sales de vapeur ; il doit être utilisé dans un mouvement de va-et-vient régulier sur la surface à nettoyer (Fig. 25).

#### BROSSE CIRCULAIRE

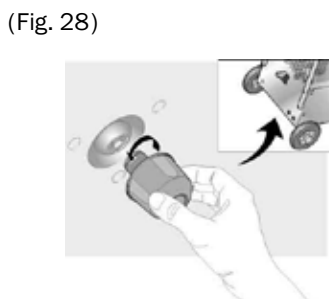
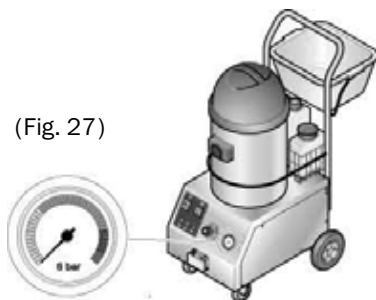
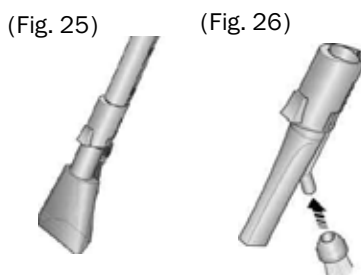
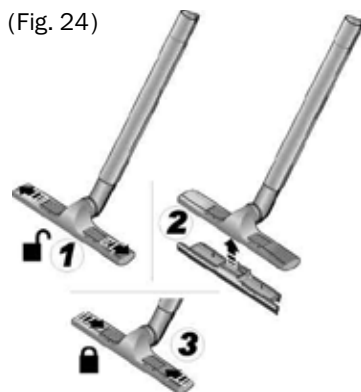
- Différentes brosses sont disponibles (Fig. 26).
- La différence entre les brosses repose sur leurs qualités abrasives et leurs rigidités. Sélectionnez la plus adaptée en fonction de la surface que vous devez nettoyer.
- Les brosses ajoutent une action abrasive à la puissance de la vapeur.

#### ACCESSOIRES EN OPTION

- Différents accessoires sont disponibles sur demande. Contactez le support technique pour obtenir plus d'informations.

#### ENTRETIEN

- Déconnectez l'appareil de l'alimentation électrique avant de procéder à des opérations d'entretien (Fig. 27/ Fig. 28).



- Ce générateur de vapeur industriel ne requiert aucun entretien particulier. Il peut être nécessaire de vider l'eau du chauffe-eau afin d'en retirer les éventuels dépôts de calcaire. Desserrez le bouchon situé sur la base à l'aide de l'outil spécial fourni (3 Fig. 1). Ne le faites que lorsque l'appareil est froid.
- Assurez-vous de refermer le bouchon une fois que l'eau ait été complètement évacuée (Fig. 28).

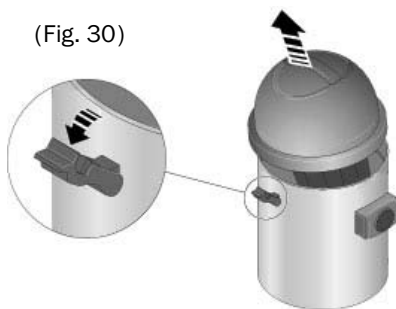
(Fig. 29)



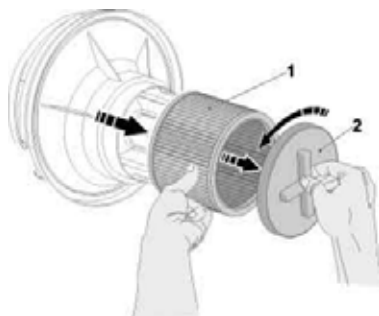
### NETTOYER/VIDER L'ASPIRATEUR

- Après chaque utilisation, ou lorsque quelqu'un remarque une modification du bruit de fonctionnement ou en cas de panne de l'aspiration, il sera nécessaire de vider le tambour (Fig. 29).
- Retirez l'aspirateur de son compartiment (Fig. 30).
- Déverrouillez les deux crochets de fixation latérale de l'aspirateur et soulevez le couvercle de l'aspirateur.
- Videz et nettoyez l'aspirateur (Fig. 30).
- Retirez le filtre installé sous le couvercle (1 Fig. 31), en desserrant le capuchon de fixation (2).
- Nettoyez avec de l'eau en vérifiant qu'il soit intact. S'il est endommagé, remplacez-le.
- Remettez le compartiment d'aspiration en place (Fig. 31/30) en vous assurant d'insérer la fiche au bon emplacement si elle a été précédemment retirée.

(Fig. 30)



(Fig. 31)



# KIT VAPEUR EN OPTION

L'appareil peut fonctionner avec un kit vapeur en option. Le kit vapeur en option fournit différents accessoires grâce auxquels il est possible de n'utiliser que la vapeur ou la fonction vapeur + produit chimique.

Verrouillez l'accessoire sélectionné sur le manche du tuyau flexible. Faites glisser les deux extrémités afin qu'elles s'ajustent entièrement (Fig. 14), en vérifiant à nouveau que le montage soit correct.

Appuyez sur le bouton (1) situé sur la poignée afin d'activer l'éjection de vapeur.

Appuyez sur la gâchette (5) située en bas du manche afin d'éjecter la vapeur (Fig. 15).

## COMMANDES D'APPROVISIONNEMENT DE VAPEUR/COMMANDES D'APPROVISIONNEMENT DE PRODUITS CHIMIQUES

- Maintenez enfoncé le bouton (3 Fig. 16) situé sur la poignée afin d'activer l'approvisionnement en produit chimique, le témoin lumineux jaune (4) situé sur le tableau de bord s'allumera.
- Tous les accessoires inclus dans la livraison peuvent être montés en adaptant simplement les deux extrémités tel qu'illustré sur la figure (Fig. 19).
- La brosse carrée est généralement utilisée pour nettoyer les sols et les grandes surfaces planes. La brosse est équipée d'un levier permettant à la poignée de pivoter tel qu'illustré sur la figure (Fig. 20).
- De plus, 4 crochets pratiques permettent d'accrocher un tissu.
- Brosse triangulaire rotative (Fig. 21).
- La brosse triangulaire rotative est généralement utilisée pour nettoyer les petites surfaces délicates et pour les surfaces irrégulières (les replis des fauteuils). Elle possède des poils plus doux. La vapeur est distribuée directement sur les poils (système breveté).

## TUBES DROITS

- Les tubes droits sont recommandés pour le nettoyage régulier. Ils doivent être fixés directement sur la poignée du tuyau ou sur les extensions pour tubes droits.
- Les deux peuvent être utilisés avec l'ensemble des brosses circulaires (Fig. 22).

## DISPOSITIF DE NETTOYAGE/ESSUYAGE

- Le dispositif de nettoyage/essuyage est utilisé pour nettoyer et essuyer une surface.
- Il se compose d'une brosse de poils naturels et d'une tige de métal/silicone. Il peut être directement adapté à la poignée du tuyau ou aux rallonges (Fig. 24).

Reliable Corporation (« Reliable ») garantit à l'acheteur original de ce produit que chaque produit vendu par Reliable (un « Produit Reliable ») est exempt de défauts de matériels et de fabrication pour une période d'un an à partir de la date d'achat, s'il est utilisé et entretenu correctement. Soumis aux conditions et limitations établies ci-après, Reliable réparera ou remplacera toute pièce d'un produit Reliable qui s'avère défectueuse en raison d'une fabrication incorrecte ou de matériaux défectueux. Si le Produit Reliable défectueux n'est plus disponible et ne peut pas être réparé efficacement ou remplacé par un modèle identique, Reliable remplacera le Produit Reliable défectueux par un Produit Reliable actuel de valeur équivalente ou supérieure. Les pièces réparées ou les produits remplacés seront fournis par Reliable sur la base d'un échange, et seront ou neufs ou remis à neuf pour être fonctionnellement équivalents aux neufs. Si Reliable n'est pas en mesure de réparer ou de remplacer le Produit Reliable, elle remboursera la valeur actuelle du Produit Reliable au moment où la réclamation de garantie est réalisée.

Cette garantie limitée ne couvre aucun dommage subi par un Produit Reliable qui résulte d'une installation incorrecte, un accident, un abus, une mauvaise utilisation, une catastrophe naturelle, une alimentation électrique insuffisante ou excessive, de conditions mécaniques ou environnementales anormales, de l'usure et de la détérioration résultant de l'utilisation normale du produit, ou tout démontage, réparation ou modification non autorisée. Cette garantie limitée ne s'étend à aucun dommage indirect ou accessoire dont peut être victime un utilisateur ou suite à l'utilisation d'un Produit Reliable, y compris mais sans s'y limiter, toute responsabilité pour des réclamations de tiers pour des dégâts et se limite au montant payé par l'acheteur original du Produit Reliable auquel cette protection de garantie limitée s'applique. Cette garantie limitée ne s'applique pas aux produits qui ont été modifiés ou dont les numéros de séries sont manquants, ou aux produits non achetés directement auprès de Reliable ou d'un revendeur autorisé pour vendre des Produits Reliable.

Cette garantie limitée est l'unique garantie qui s'applique à tout Produit Reliable, elle remplace toutes conditions qui peuvent être contenues dans un autre document ou bon d'achat et ne peut pas être transformée ou modifiée, sauf dérogation expressément écrite de Reliable.

Pour obtenir une réparation ou un remplacement en vertu des conditions de cette garantie, veuillez contacter notre service à la clientèle au 1-800-268-1649 ou par courriel à [support@reliablecorporation.com](mailto:support@reliablecorporation.com).

Il vous sera demandé d'envoyer le reçu original par télécopie ou courriel. Le reçu doit prouver que vous êtes l'acheteur original, que le produit a été acheté directement chez nous ou chez un revendeur autorisé par Reliable et que la réclamation de garantie est effectuée pendant la période de garantie. Un numéro d'autorisation de renvoi (N° RA) vous sera donné et il vous sera demandé d'expédier le produit défectueux accompagné de la preuve d'achat et du N° RA, frais d'assurances étant prépayés à l'adresse suivante :

Reliable Corporation, 5-100 Wingold Avenue, Toronto, ON M6B 4K7. Les expéditions avec fret à destination seront refusées. Le risque de perte ou d'endommagement lors du transit sera assumé par le client. Une fois que Reliable reçoit le produit défectueux, elle initiera la réparation ou le remplacement.

ENVIROMATE FLEX EF700  
ASPIRADORA A VAPOR  
MANUAL DE INSTRUCCIONES  
ESPAÑOL



# FELICITACIONES

Nos gustaría agradecerle y felicitarlo por haber comprado la aspiradora a vapor EnviroMate FLEX de Reliable Corporation.

La limpieza con vapor de agua en seco puede profundizar la limpieza e higienizar su hogar en forma segura y efectiva.

La EnviroMate FLEX es un unidad de limpieza comercial completa y multiuso. Funciona como limpiadora aspiradora y extractor de vapor y como aspiradora en húmedo y en seco. La presión de vapor de 6 bares y un equipo de accesorios insuperable hacen que la aspiradora FLEX sea una alternativa ideal y sin químicos para la limpieza e higienización de todas las superficies que se encuentran en entornos de limpieza comerciales.

Para su seguridad y con el propósito de disfrutar de las ventajas de este producto, dedique algunos minutos a leer todas las medidas de protección e instrucciones para el cuidado del equipo. Tenga a mano este manual para todos los usuarios y revise la tarjeta del certificado de garantía del producto.

Nota: su nueva aspiradora puede tener pequeñas cantidades de agua ya que todas las unidades son probadas en la fábrica antes de su envío.

Lea cuidadosamente este manual para evitar cualquier uso inadecuado. El fabricante no asume ninguna responsabilidad por los daños que la aspiradora pueda ocasionar a personas o bienes como consecuencia del uso inadecuado de la máquina, incompetencia, falta de precauciones o negligencia y por el incumplimiento de las instrucciones suministradas en este manual. Las imágenes que aparecen en este manual ayudarán a explicar el funcionamiento, las instrucciones de seguridad y las operaciones de mantenimiento de la máquina. El fabricante se reserva el derecho de realizar cambios en sus máquinas, como resultado de una optimización del rendimiento.

Este manual es una parte integral del equipo de la máquina. Debe mantenerse cuidadosamente dentro del alcance y ser consultado en caso de duda. Si la máquina es suministrada a un tercero, incluso a modo de préstamo, entregue el manual junto con la máquina e indíquelo al nuevo usuario que lea cuidadosamente todo el contenido antes de utilizar la máquina.

# INSTRUCCIONES DE SEGURIDAD IMPORTANTES

Cuando use un aparato eléctrico, siempre debería seguir precauciones básicas.

LEA TODAS LAS INSTRUCCIONES ANTES DE USAR ESTE APARATO

ADVERTENCIA: PARA REDUCIR EL RIESGO DE INCENDIO, DESCARGA ELÉCTRICA O LESIONES:

- No deje el aparato enchufado. Desenchufe el aparato de la corriente eléctrica cuando no esté en uso y antes de cualquier reparación.
- No use el aparato al aire libre o sumergido en agua.
- No permita que el aparato se utilice como un juguete. Tenga cuidado cuando el aparato se utilice cerca de niños. No permita que los niños operen la máquina.
- Use el aparato únicamente del modo indicado en este manual. Use solamente los accesorios recomendados por el fabricante.
- No use el aparato con cables o enchufes dañados. Si el aparato no funciona bien, ha sufrido una caída, está dañado, se dejó al aire libre o cayó en el agua, llévelo a un centro de servicio técnico.
- No traslade el cable ni tire del cable, no use el cable como asa, no cierre una puerta sobre el cable ni coloque el cable alrededor de bordes o esquinas filosas. No utilice el aparato sobre el cable. Mantenga el cable alejado de superficies calientes.
- No desenchufe el aparato jalando del cable. Para desenchufar, tome el enchufe, no tire del cable.
- No manipule el enchufe o el aparato con las manos húmedas.
- No coloque ningún objeto en las aberturas de la máquina. No use el aparato si tiene alguna abertura bloqueada; mantenga el aparato libre de polvo, pelusas, cabellos y cualquier otra cosa que pueda reducir el flujo de aire.
- Mantenga los cabellos, ropas sueltas, los dedos y todas las partes del cuerpo alejados de las aberturas y partes móviles de la máquina.
- Apague todos los controles de la unidad antes de desenchufarla.

- Tenga más cuidado cuando limpie en escaleras.
- No use el aparato para aspirar o limpiar derrames o áreas de líquidos inflamables o combustibles, como gasolina, ni en áreas en las que puedan estar presentes.
- Use solamente agua del grifo para rellenar la caldera y el tanque de agua. No use químicos, perfumes u otros líquidos.
- La manguera contiene cables eléctricos. No use el aparato si los cables están dañados, cortados o perforados. Evite aspirar objetos punzantes.
- Conecte el aparato a una conexión a tierra adecuada. Ver Instrucciones de Conexión a Tierra.
- Este aparato tiene doble aislación. Use solamente piezas de repuesto idénticas.
- No aspire nada que esté encendido o tenga humo, como cigarrillos, fósforos o cenizas calientes.
- No use líquido inflamable para reducir el riesgo de incendio ni para limpiar el piso.
- No use el aparato sin los filtros de polvo.
- No permita el uso de la máquina por parte de personas inexpertas sin supervisión. En el caso de que la máquina sufra algún daño, no la utilice, no conecte el enchufe ni lo desconecte inmediatamente, desconecte la energía eléctrica y contáctese con el Centro de Servicio Técnico autorizado. Las reparaciones deben ser realizadas por personal autorizado y se deben usar repuestos originales exclusivamente.

# GUARDE ESTAS INSTRUCCIONES PARA FUTURAS CONSULTAS

## INSTRUCCIONES DE CONEXIÓN A TIERRA

Este artefacto requiere de una conexión a tierra. En caso de mal funcionamiento o avería, la conexión a tierra ofrece menor resistencia a la corriente eléctrica para reducir el riesgo de una descarga eléctrica. El cableado de este artefacto está equipado con un equipo-conductor de conexión a tierra y un enchufe de conexión a tierra. El enchufe debe insertarse en un tomacorriente apropiado, instalarse adecuadamente y tener conexión a tierra, de conformidad con todos los códigos y ordenanzas locales.

**ADVERTENCIA** – La conexión inadecuada del equipo-conductor de conexión a tierra puede generar riesgo de una descarga eléctrica. Consulte con un electricista calificado o personal de servicio técnico si tiene dudas respecto de la conexión a tierra de un tomacorriente. No modifique el enchufe suministrado con el aparato – si no entra en el tomacorriente, contrate a un electricista calificado para que instale un tomacorriente apropiado.

Este aparato es para utilizar en un circuito con una capacidad nominal de más de 120 voltios y está equipado de fábrica con un cable eléctrico y un enchufe específicos para permitir la conexión a un circuito eléctrico apropiado. Asegúrese de que el aparato esté conectado a un tomacorriente con la misma configuración que el enchufe. No se debe utilizar ningún adaptador con este aparato. Si el aparato debe ser conectado nuevamente para su uso en otro tipo de circuito eléctrico, la nueva conexión debe ser realizada por personal de servicio técnico calificado.

## DESCRIPCIÓN DE LAS CARACTERÍSTICAS TÉCNICAS DE LA MÁQUINA:

Este generador de vapor eléctrico a alta presión y alta temperatura es una máquina diseñada para la limpieza e higienización de múltiples superficies y equipos.

Con tecnología de avanzada, la caldera Flex EF700 puede generar vapor saturado seco a muy alta temperatura y presión para un proceso de limpieza más profundo y efectivo.

El generador de vapor combinado con una poderosa aspiradora permite una limpieza profunda e inmediata. Los accesorios incluidos permiten un uso fácil y práctico de la máquina para distintas superficies y tareas de limpieza.

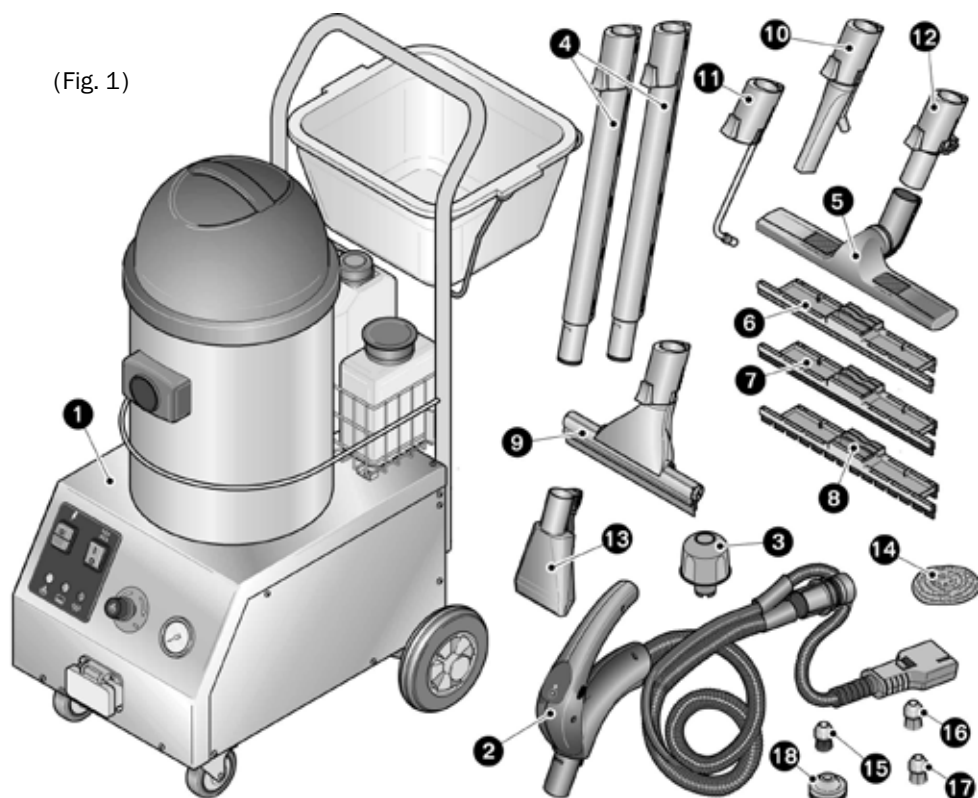
# SISTEMAS DE SEGURIDAD DE LA MÁQUINA:

- Válvula de escape de sobrepresión.
- Interruptor de presión para control de presión.
- Interruptor térmico de seguridad y termofusible para controlar la temperatura en la caldera.
- Controles de baja tensión en asas.

## DESCRIPCIÓN

MODELO	FLEX EF700
ESTRUCTURA DE ACERO INOXIDABLE	SÍ
ENERGÍA ELÉCTRICA (V/HZ)	120/60
ENERGÍA (W)	1700
AMP DE ENTRADA	14
BARES DE PRESIÓN DE TRABAJO	6
TEMPERATURA DE CALDERA (C°)	150°C
CALDERA 316 DE ACERO INOXIDABLE (TOTAL DE LITROS)	2.3
CAPACIDAD DEL TANQUE DE AGUA (LITROS)	5
CONTROL ELECTRÓNICO	SÍ
PODER DE ASPIRACIÓN (W)	1000 W
ARRANQUE INICIAL (MIN.)	7
LARGO (CM)	49
ANCHO (CM)	37
ALTURA (CM)	100
PESO SIN CARGA (KG.)	22
ESTANTE ACCESORIO ESTÁNDAR	SÍ

(Fig. 1)

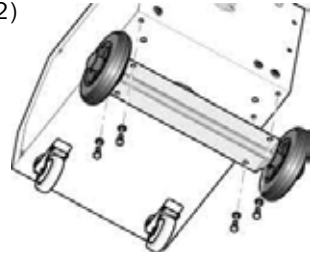


- |  |  |
|--|--|
| 1. Unidad Principal                          | 10. Conexión para lechada                        |
| 2. Manguera flexible                         | 11. Boquilla con punta de acero                  |
| 3. Llave de caldera                          | 12. Adaptador                                    |
| 4. Extensión de manguera de vapor y aspirado | 13. Boquilla para tapicería                      |
| 5. Cepillo de vapor y aspirado               | 14. Almohadilla de lana de acero X2              |
| 6. Marco para piso                           | 15. Cepillo circular de nylon 30mm X3            |
| 7. Marco para alfombra                       | 16. Cepillo circular de bronce 30mm X3           |
| 8. Marco para líquido                        | 17. Cepillo circular de acero inoxidable 30mm X3 |
| 9. Escobilla para ventana                    | 18. Cepillo circular de nylon 60mm               |

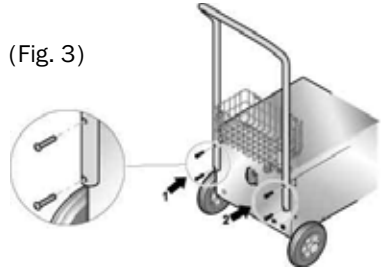
## PREPARACIÓN DE LA UNIDAD/ MONTAJE MECÁNICO

1. Inclina la máquina y fije las ruedas en la parte inferior de la unidad (Fig. 2).
2. Monte el asa en la parte lateral de la unidad (Fig. 3).
3. Inserte el tanque de agua y el tanque químico.
4. Conecte el tubo según las indicaciones de las etiquetas.  
H<sub>2</sub>O → H<sub>2</sub>O  
SH → SH
5. Conecte los sensores de nivel de agua (detalle B)(Fig. 4).
6. Inserte la aspiradora en la parte superior de la unidad (Fig. 5).

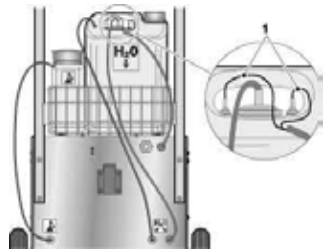
(Fig. 2)



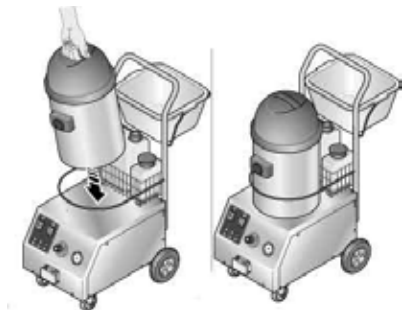
(Fig. 3)



(Fig. 4)



(Fig. 5)



7. Conecte la aspiradora en el enchufe trasero de la unidad.

(Fig. 6)

¡PRECAUCIÓN! Conecte solamente la aspiradora entregada con la unidad. Si conecta otra aspiradora u otras herramientas puede dañar la unidad (Fig. 6).



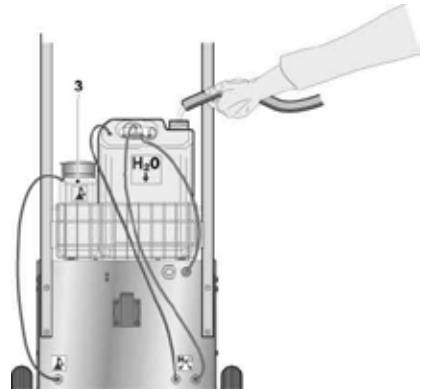
8. Rellene el tanque de agua con agua del grifo (1 Fig.7).

¡PRECAUCIÓN! ¡Use solamente agua del grifo, nunca use otra sustancia (Fig. 7)!

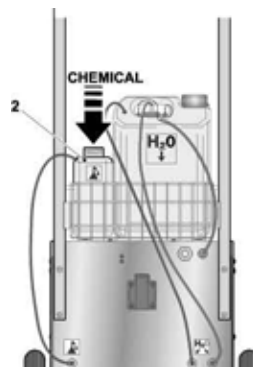
9. Si usa químicos rellene el tanque químico (2 Fig. 8).

¡PRECAUCIÓN! Use solamente los productos sugeridos por el fabricante (Fig. 8).

(Fig. 7)



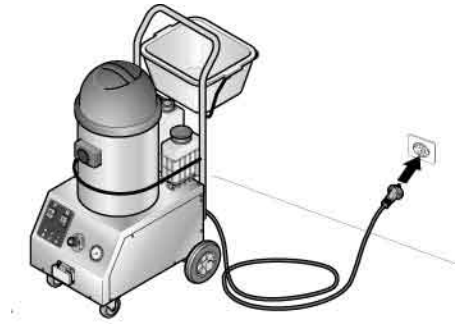
(Fig. 8)





10. Desenrosque el cable e inserte el enchufe en el tomacorriente doméstico de un sistema de cableado adecuado. A menos que se indique lo contrario, la máquina es adecuada para conexión a 120V-60Hz (Fig. 9).
- ¡PRECAUCIÓN! ¡No será responsable por los daños provocados por condiciones operativas con voltajes distintos de los requeridos! Asegúrese de que el enchufe esté conectado a tierra para evitar problemas con el funcionamiento del generador (Fig 9).

(Fig. 9)



### INFORMACIÓN GENERAL

1. Interruptor principal.
  2. Manómetro.
  3. Luz piloto de presión de vapor.
  4. Luz indicadora de bajo nivel de agua.
  5. Indicador de eyección química.
  6. Regulador de cantidad de vapor.
  7. Interruptor químico.
  8. Conector de manguera flexible.
- Encienda el interruptor de la caldera (1 Fig. 11); la luz verde del indicador de presión parpadeará durante el tiempo requerido para alcanzar el nivel de presión máxima, luego de lo cual se estabilizará y permanecerá en (3).
  - La ausencia de agua dentro del tanque se indica mediante el parpadeo del indicador (2) y mediante una señal acústica en el tablero. Vuelva a llenar el tanque inmediatamente.
  - Luego de rellenar el tanque con agua, la máquina volverá automáticamente a su funcionamiento normal.

(Fig. 10)



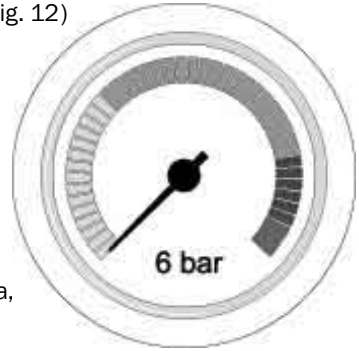
(Fig. 11)



## MANÓMETRO

(Fig. 12)

- El panel de control cuenta con un manómetro.
- Sector amarillo: presión mínima/media.
- Sector verde: presión media/máxima.
- Sector naranja: presión máxima.
- Sector rojo: presión excesiva
- Abra la manija de la entrada de la manguera, en el frente de la máquina, y conecte la manguera; asegúrese de que esté correctamente conectada (Fig. 13).
- Inserte y conecte el otro extremo de la manguera en la entrada de la aspiradora (Fig. 14).
- Para mover la máquina, empuje desde la parte trasera como se indica en (Fig. 15).



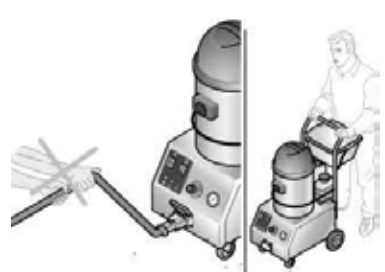
(Fig. 13)



(Fig. 14)



(Fig. 15)



## PRIMER LLENADO

- Si la caldera y el tanque de agua están completamente vacíos, todas las funciones del sistema se deshabilitan.
- Asegúrese de que haya agua en el tanque y llénelo manualmente si está vacío.
- Con el tanque lleno y la caldera vacía, luego de alimentar el generador a través de los interruptores (ver el párrafo de “PREPARACIÓN”), el sistema controla la bomba de llenado de agua hasta que la caldera alcance el nivel correcto. En esta fase, la caldera está desactivada. Una vez que finaliza el proceso de llenado, la bomba se apaga y el calentamiento se habilita simultáneamente a través del calentador de la caldera.
- Libere el aire residual de la caldera durante la etapa de calentamiento presionando el interruptor 2 (Fig. 20) y el botón de liberación de vapor 1 (Fig. 20). Esta operación es importante debido al poder del generador para evitar un aumento excesivo en la presión.

## AJUSTE DE NIVEL/CALDERA

- El rellenado se realiza cada vez que la sonda de nivel detecte un bajo nivel de agua en la caldera. Durante la recuperación del nivel normal, el calentador permanece habilitado para el calentamiento.
- Si durante el rellenado, la sonda de nivel ubicada en el tanque queda expuesta, el sistema detiene inmediatamente las operaciones y la luz indicadora (2 Fig. 9) comienza a parpadear junto con una señal acústica intermitente.

## TANQUE

- Cada vez que la sonda de nivel del tanque detecta un bajo nivel de agua, el sistema detiene inmediatamente las operaciones de rellenado y la luz indicadora (2 Fig. 9) comienza a parpadear junto con una señal acústica intermitente.
- Rellene el tanque para restablecer la alarma.  
¡IMPORTANTE! EVITE EL USO DE AGUA DESTILADA O DESMINERALIZADA PARA NO PONER EN RIESGO EL FUNCIONAMIENTO EFICIENTE DEL GENERADOR.

## EYECCIÓN DE VAPOR

- El vapor se libera presionando el gatillo de vapor (1).
- El gatillo de vapor (1) puede bloquearse con el cierre de seguridad en el mango. Al presionar el cierre de seguridad en el costado derecho del mango, se bloqueará el gatillo de vapor(5), y si presiona el otro costado el vapor se liberará (6) (Fig. 16).

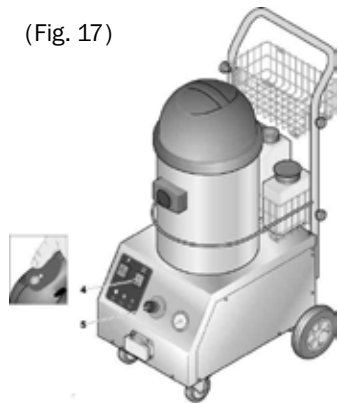
## VAPOR Y EYECCIÓN QUÍMICA

- Habilite la eyección química con el interruptor (4 Fig. 17).
- Con la eyección química habilitada, el químico es eyectado automáticamente con el vapor cuando se presiona el gatillo (1 Fig. 16).
- Cuando el químico es liberado, la luz se ENCIENDE (5 Fig. 17).
- Durante la operación, la máquina puede alcanzar altas temperaturas. No toque las partes que pueden estar en contacto directo con el vapor.

(Fig. 16)



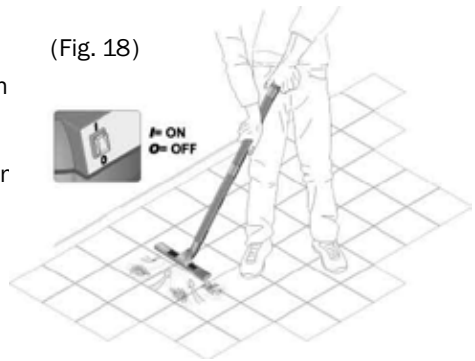
(Fig. 17)



## ASPIRADO

- La máquina también puede utilizarse en modo de “aspiración como una poderosa aspiradora en húmedo/ seco. Simplemente presione el interruptor ubicado en el panel de succión (Fig. 18).
- El motor de la aspiradora se enciende presionando el botón (4 Fig. 16) en el mango.

(Fig. 18)



## LIBERACIÓN DE VAPOR Y SUCCIÓN

- Durante la fase de liberación de vapor estándar, encienda la aspiradora para garantizar la succión al mismo tiempo que se emite vapor. Para ello, presione el botón (1) (Fig. 16).
- Se aconseja utilizar el vapor en primer lugar y luego aspirar la superficie.

## ACCESORIOS

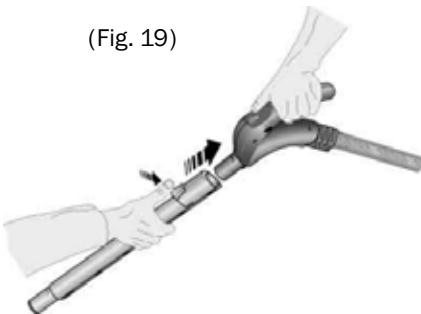
¡PRECAUCIÓN! Los accesorios pueden alcanzar altas temperaturas.

- Los accesorios pueden adjuntarse presionando el botón pulsador (2).
- Para algunos accesorios, es necesario usar el adaptador. Presione el botón (1) para adjuntarlos (Fig. 19/Fig. 20).

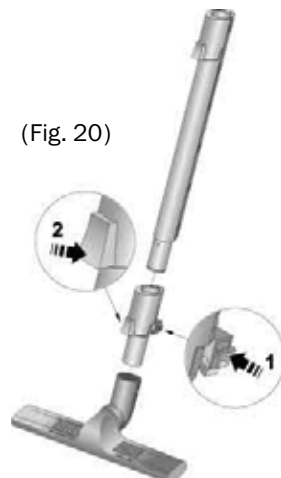
## BOQUILLA COMPLETA PARA LECHADA

- El vapor es eyectado a través de la punta metálica.
- Puede adjuntar el cepillo según la superficie a limpiar.
- Con la parte frontal, puede aspirar el residuo de vapor acumulado en la superficie (Fig. 21).

(Fig. 19)



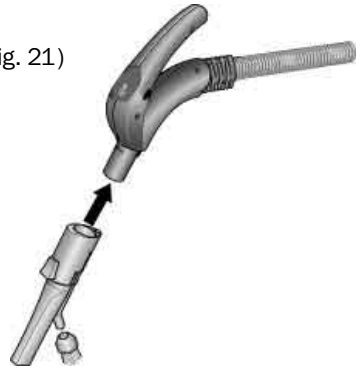
(Fig. 20)



## ESCOBILLA PARA VENTANA

- La escobilla para ventana permite a los usuarios limpiar y desengrasar ventanas con facilidad.
- Puede colocarse directamente en el mango de la manguera o en tubos de extensión.
- En el invierno, se aconseja precalentar los cristales de las ventanas con vapor a una distancia de 30-40 cm antes de comenzar la limpieza.
- Las ventanas pueden limpiarse mediante la habilitación de dos funciones de vapor/ aspirado en forma simultánea (Fig. 22).

(Fig. 21)



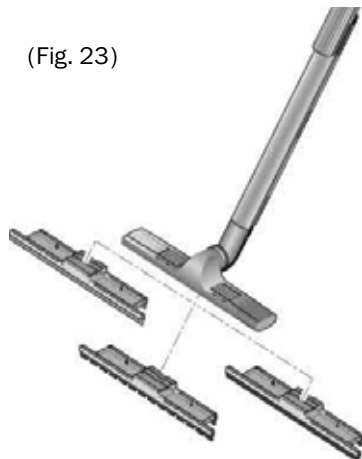
(Fig. 22)



## CEPILLO DE VAPOR Y ASPIRADO

- El cepillo se utiliza tanto para la limpieza a vapor como para el aspirado. Permite variar el ángulo para limpiar esquinas gracias a su brazo articulado en múltiples direcciones. Según el tipo de superficie a limpiar, coloque el adaptador más adecuado (Fig. 23).
- Perfil ahulado doble – limpieza/ limpieza a seco.
- Perfil de poliéster doble – superficie de aspiración seca.
- Perfil rígido doble – limpieza de tapetes.

(Fig. 23)



- Para un correcto montaje del adaptador, libere los ganchos de sujeción (1), monte el adaptador (2) y vuelva a cerrar los ganchos de sujeción (3) (Fig. 24).
- Cuando utilice vapor con este cepillo, recomendamos que la liberación se regule a una posición media/máxima (Fig. 20).

#### CEPILLO TRANSPARENTE PARA TAPIZADOS

- La boquilla puede liberar vapor para limpiar tapizados y, al mismo tiempo, extraer el residuo de vapor acumulado; debe moverse alternativamente hacia atrás y hacia adelante en la superficie a limpiar (Fig. 25).

#### CEPILLO CIRCULAR

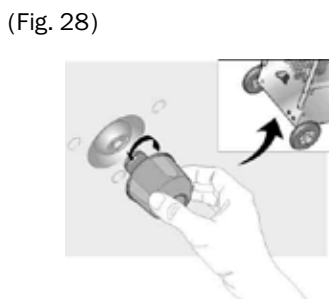
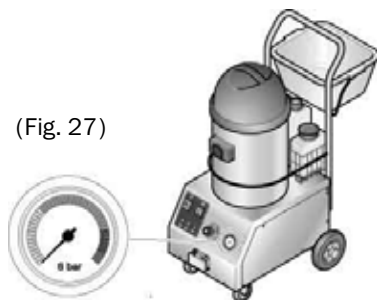
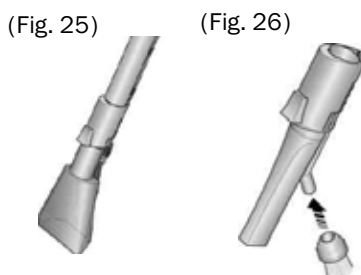
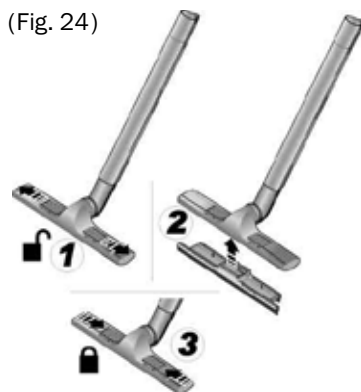
- Hay diferentes cepillos disponibles (Fig. 26).
- La diferencia entre los cepillos se basa en su rigidez y sus cualidades abrasivas. Seleccione el cepillo adecuado según la superficie que desee limpiar.
- Los cepillos agregan una acción abrasiva al poder del vapor.

#### ACCESORIOS OPCIONALES

- Hay diferentes accesorios disponibles a solicitud. Comuníquese con el servicio técnico para obtener más información.

#### MANTENIMIENTO

- Desconecte la máquina de la corriente eléctrica antes de llevar a cabo operaciones de mantenimiento (Fig. 27/ Fig. 28).



- Esta aspiradora industrial de vapor no requiere ningún mantenimiento especial. Podría ser necesario vaciar el agua de la caldera para retirar depósitos de sarro. Desajuste la tapa de la base con la herramienta especial suministrada (3 Fig. 1). Hágalo únicamente cuando la unidad esté fría.
- Asegúrese de cerrar bien la tapa una vez que el agua se descargue por completo (Fig. 28).

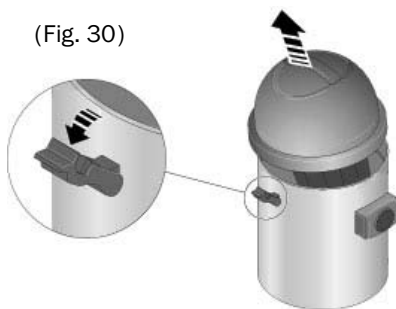
#### LIMPIEZA/ VACIADO DE LA ASPIRADORA

- Luego de cada uso, cuando note un cambio en el sonido durante el funcionamiento o si la aspiradora no aspira, será necesario vaciar el tambor (Fig. 29).
- Retire la aspiradora de su compartimiento (Fig. 30).
- Desbloquee los dos ganchos laterales de la aspiradora y levante la cabeza de la aspiradora.
- Vacíe y limpie la aspiradora (Fig. 30).
- Retire el filtro (1 Fig. 31), instalado debajo de la cabeza, desajustando el tapón de fijación (2).
- Límpielo con agua del grifo para verificar si está intacto. Si está visiblemente dañado, reemplácelo.
- Reemplace el compartimiento de aspirado (Fig. 31/30) y asegúrese de insertar el enchufe en el tomacorriente del que ha sido retirado.

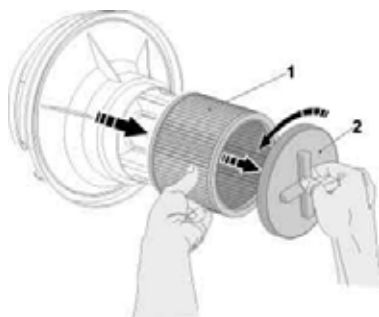
(Fig. 29)



(Fig. 30)



(Fig. 31)



## EQUIPO DE VAPOR OPCIONAL

La máquina también puede utilizarse con un Equipo de Vapor opcional. El equipo de vapor opcional suministra diferentes accesorios que pueden utilizarse para la función vapor solo o vapor+químicos.

Coloque el accesorio seleccionado en el mango flexible de la manguera. Deslice ambos extremos para que queden bien firmes(Fig. 14) y verifique que se hayan montado correctamente.

Presione el botón (1) en el mango para permitir la eyección de vapor.

Presione el gatillo (5) en la parte inferior del mango para eyectar vapor (Fig. 15).

### CONTROLES DE SUMINISTRO DE VAPOR/CONTROLES DE SUMINISTRO DE QUÍMICOS

- Mantenga presionado el botón (3 Fig. 16) en el mango para permitir el suministro de químicos, la luz piloto de color amarillo (4) en el tablero se encenderá.
- Todos los accesorios incluidos en el suministro pueden montarse de manera simple, ajustando completamente ambos bordes como se indica en (Fig. 19).
- El cepillo cuadrado suele utilizarse para limpiar pisos y para superficies planas de gran tamaño. El cepillo está equipado con una palanca que permite que el mango rote como se indica en (Fig. 20).
- Además, los 4 ganchos de mano permiten colgar un paño.
- Cepillo triangular rotatorio (Fig. 21).
- El cepillo triangular rotatorio suele utilizarse para limpiar superficies pequeñas y delicadas y para superficies irregulares (pliegues en telas de sillones). Tiene cerdas más suaves. El vapor es distribuido directamente en las cerdas (sistema patentado).

### VARILLAS

- Se recomienda el uso de varillas para la limpieza regular. Las varillas deben colocarse directamente en el mango o en las extensiones de la varilla.
- Ambas pueden utilizarse junto con un conjunto de cepillos circulares (Fig. 22).

### DISPOSITIVO DE LIMPIEZA/ BARRIDO

- El dispositivo de limpieza/ barrido se utiliza para limpiar y barrer una superficie.
- Se compone de un cepillo de cerda natural y un rodillo de metal/ silicona. Puede colocarse directamente en el mango de la manguera o en las extensiones (Fig. 24).



Reliable Corporation (“Reliable”) garantiza al comprador original de sus productos que todas las unidades vendidas por Reliable (un “Producto Reliable”) se encuentran libres de defectos de material y de mano de obra durante el período de un año a partir de la fecha de compra, si son utilizadas correctamente y han recibido el mantenimiento adecuado. En virtud de las condiciones y limitaciones establecidas a continuación, Reliable reparará o reemplazará la pieza de un Producto Reliable que demuestre estar defectuosa a causa de material o fabricación inadecuadas. Si el Producto Reliable defectuoso deja de estar disponible y no puede ser reparado efectivamente o reemplazado por un modelo idéntico, Reliable cambiará el Producto Reliable defectuoso por un Producto Reliable vigente de igual o mayor valor. Las piezas de recambio o repuestos serán suministrados por Reliable a cambio de las piezas originales, y serán piezas nuevas o piezas que estarán reacondicionadas para convertirse en productos funcionalmente equivalentes a piezas nuevas. Si Reliable no puede reparar o reemplazar un Producto Reliable, la compañía reembolsará el valor del Producto Reliable que esté vigente al momento de reclamar la garantía.

Esta garantía limitada no cubre los daños que sufra un Producto Reliable como resultado de una instalación inadecuada, accidente, abuso, uso incorrecto, desastre natural, suministro de energía eléctrica insuficiente o excesivo, condiciones mecánicas o ambientales anormales, desgaste provocado por el uso normal del producto, o cualquier desarme, reparación o modificación no autorizada. Esta garantía limitada no se extiende a ningún daño indirecto, resultante o accidental que el usuario pueda sufrir o que pueda causar el uso de un Producto Reliable, incluyendo, entre otros, la responsabilidad ante los reclamos presentados por terceros; y se limita al monto pagado por el comprador original del Producto Reliable respecto del cual tiene aplicación esta protección de garantía limitada. Esta garantía limitada no es válida para los productos que hayan sido modificados o que no tengan número de serie, o para los productos que no hayan sido comprados directamente a Reliable o a través de un vendedor certificado que cuente con nuestra autorización para comerciar los Productos Reliable.

Esta garantía limitada es la única garantía que tiene aplicación a todos los Productos Reliable, reemplaza todos los términos que puedan estar contenidos en cualquier otro documento u orden de compra, y no puede ser alterada o modificada excepto que Reliable así lo haya autorizado expresamente por escrito.

Para obtener la reparación o cambio según los términos de esta garantía, comuníquese con nuestro grupo de servicio al cliente al 1-800-268-1649 o escriba a [support@reliablecorporation.com](mailto:support@reliablecorporation.com).

Usted deberá presentar, por fax o correo electrónico, el comprobante original. Este comprobante debe demostrar que usted es el comprador original, que el producto fue adquirido directamente de nuestras oficinas o de un vendedor de Reliable autorizado y que el reclamo de la garantía se realiza dentro del período correspondiente. Usted recibirá un número de autorización (RA#) y deberá enviar el producto defectuoso, junto con el comprobante de compra, el RA# y seguros pagados por adelantado, a la siguiente dirección:

Reliable Corporation, 5-100 Wingold Avenue, Toronto, ON M6B 4K7. Los costos de envío por cobrar serán rechazados. El riesgo de sufrir una pérdida o daño en tránsito será asumido por el cliente. Una vez que Reliable reciba el producto defectuoso, la compañía iniciará el proceso de reparación o reemplazo.



1 800 268 1649  
[www.reliablecorporation.com](http://www.reliablecorporation.com)