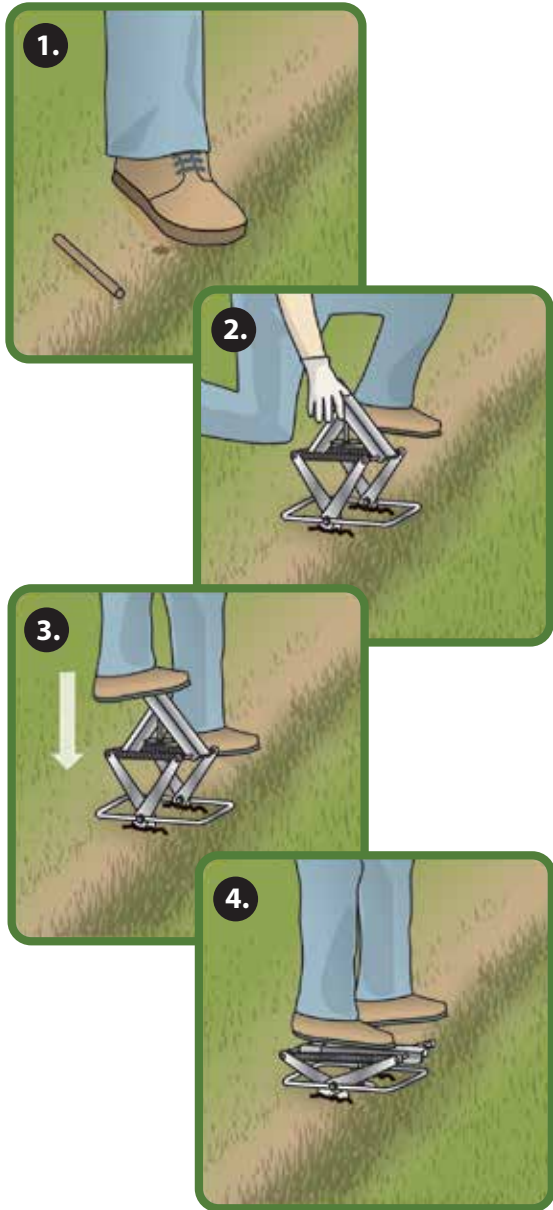
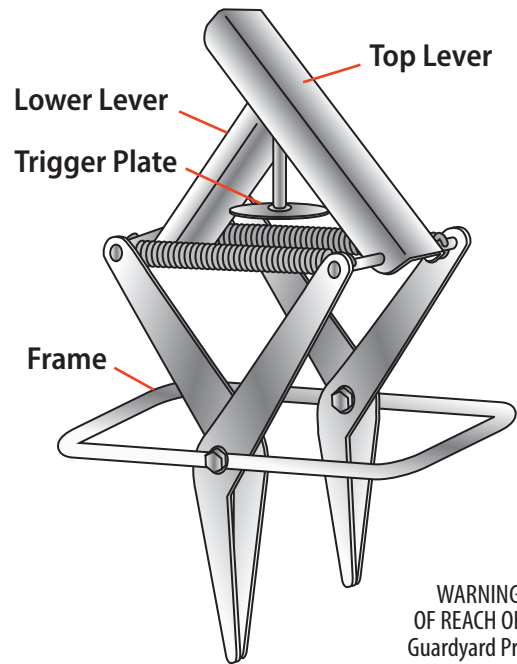




STEP-N-SET[®] MOLE TRAP



Trap Diagram



WARNING: KEEP OUT OF REACH OF CHILDREN.
Guardyard Products, LLC
accepts no responsibility for injury
resulting from misuse of this product.

Instructions:

- 1. Locating the trap:** The trap must be placed in an active tunnel. Identify active tunnels by poking a small hole in them or by stepping on them and determining the next day, which ones have been repaired. Prepare ground for trap by packing down the tunnel ridge firmly with your foot.
- 2. Setting the trap:** Push both sets of **Jaws** straight down into the mole run. Make sure **Jaws** are in the center of the run with the **Trigger Plate** directly over the area that was flattened with your foot. The **Frame** must be flush with the ground.
- 3.** Once trap is positioned in the ground, step firmly on the **Top Lever** and apply force straight down.
- 4.** Step all the way down until trap is set and both levers are parallel to the ground. In hard soil several attempts may be required to set the trap.

www.GoGetGonzo.com

Guardyard Products, LLC • PO Box 1253, West Covina, CA 91793 • Toll Free: 855-464-6696

Got Moles & Gophers - Get Gonzo!