



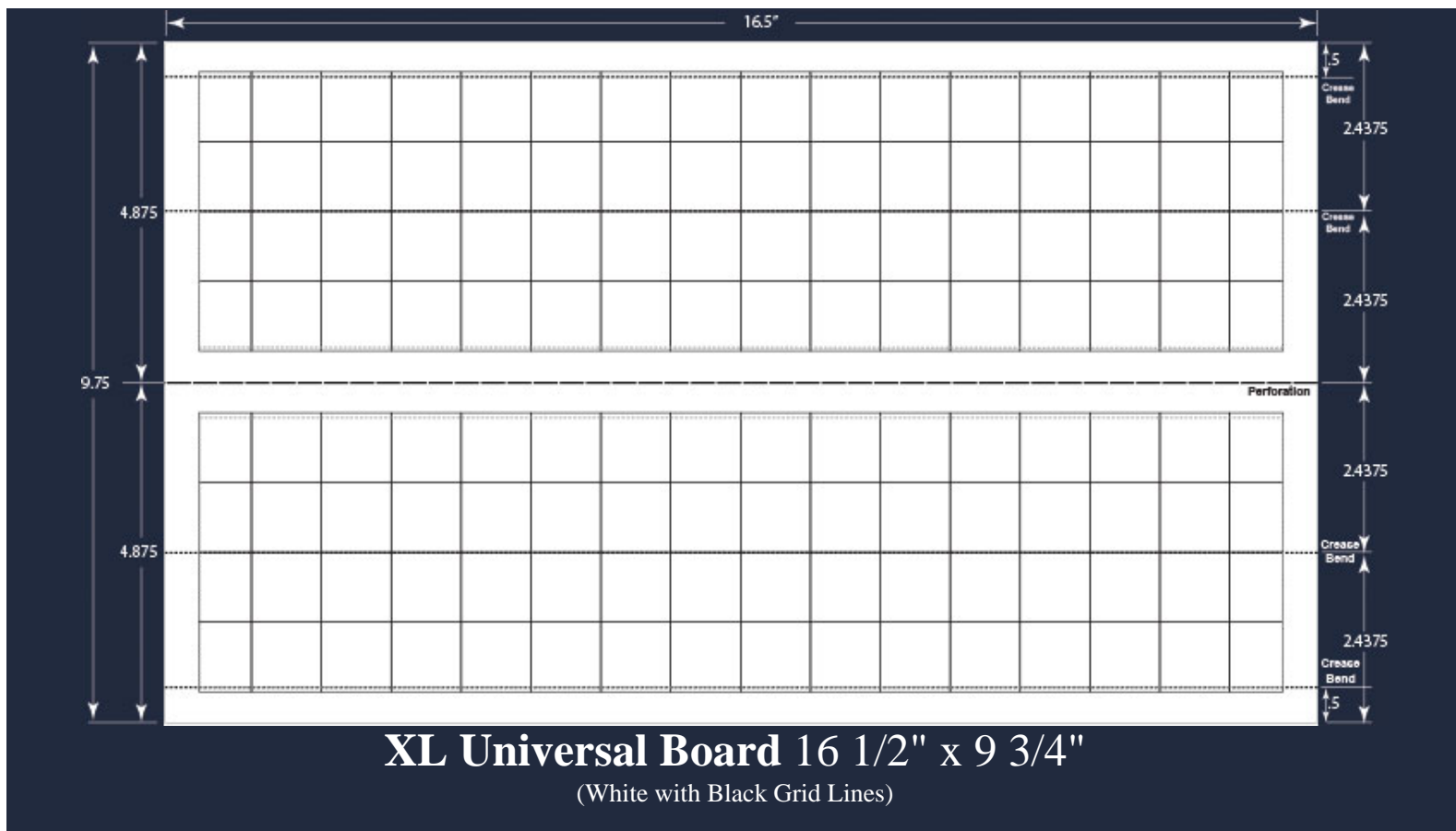
Standard White Board 17" x 4 7/8"



Large White Board 22" x 4 7/8"

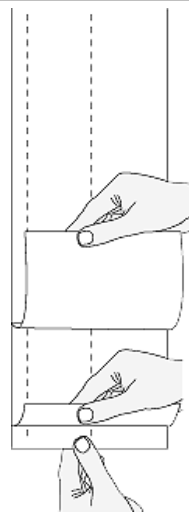


Large Black Board 22" x 4 7/8"



HANDY NOTE: *If you should ever get glue on your hands, rubbing with ordinary cooking oil works wonders!*

Download our [Glueboard MSDS](#) in PDF format.

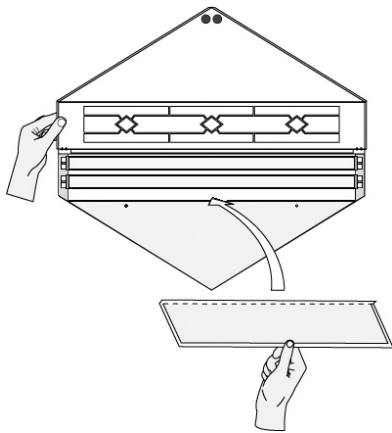


1. Remove paper backing with quick, smooth, continuous motion.
Once you start pulling do not stop pulling until glueboard is freed from paper!
2. If you choose to use bend options (below)*,
Remove Release Paper First!!! Then, carefully bend the glueboard, being careful not to stick surfaces together.
3. Insert glueboard into ILT.

Gilbert® 2002GT Flying Venus™

Holds Large Glueboard.

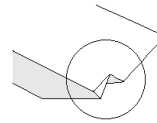
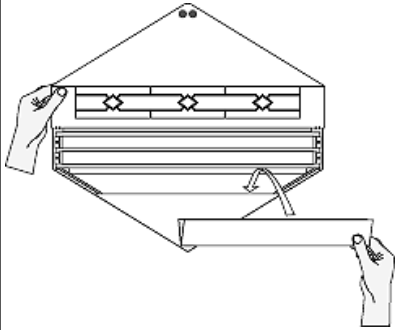
***Glueboard fits flat in trap. You may bend 1/2" back edge of glueboard up, to help retain insects when glueboard is removed.**



Gilbert® 2000GT Flying Venus™

Holds Regular Glueboard.

***Glueboard is scored for bending down the middle, allowing this, one of our two most powerful wall scone traps (2002GT being the other), to be super-thin (only 2 and 3/4" deep).**

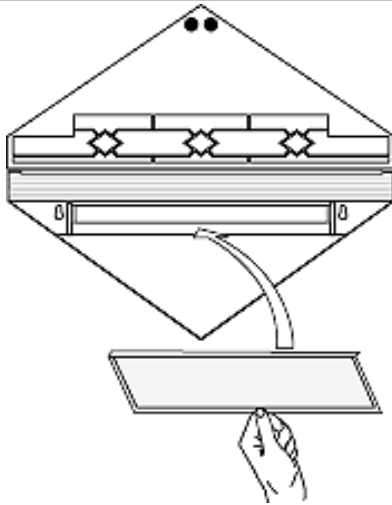


***If necessary to prevent heated glue from oozing out the ends of the "V" shaped board; bend 1/2" up at each end of the "V" and press ends together (forming a tray to contain glue).**

>Gilbert® 1999GT Flying Venus™

Holds Regular Glueboard.

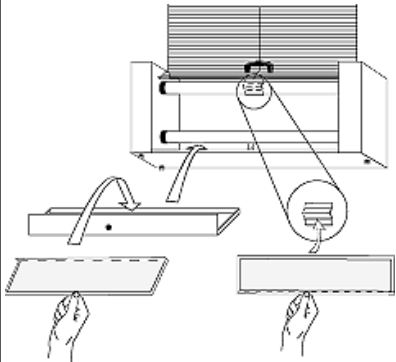
***Glueboard is scored to bend 1/2" edge to help retain insects when removing glueboard (especially helpful if a board has not been changed, accidentally allowed to dry out, freeing dead insects).**



Gilbert® 219GT Sticky Tiger™

Holds one or two large (or regular) glueboard(s).

***Glueboard is scored to bend 1/2" edge to help retain insects (especially helpful with clip mounted boards).**

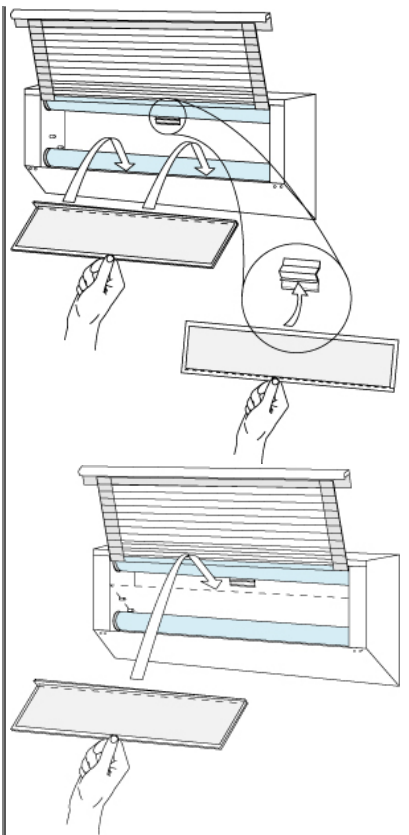


Gilbert® 225GT Sticky Fox™

The standard 225GT holds one or two (even three) large (or regular) glueboard(s).

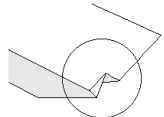
***Glueboards are scored to bend 1/2" edge to help retain insects.**

One glueboard tray (and glueboard) fit into the bottom of the trap. A second glueboard tray (and



glueboard) slip-in between the lamps on four pegs.

A third, optional glueboard may be wedged into the clip behind the top lamp. A 1/2" bend of this board will help to guide any errant glue or insects away from the back of the trap, onto the glueboard below).



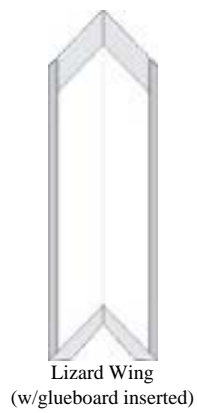
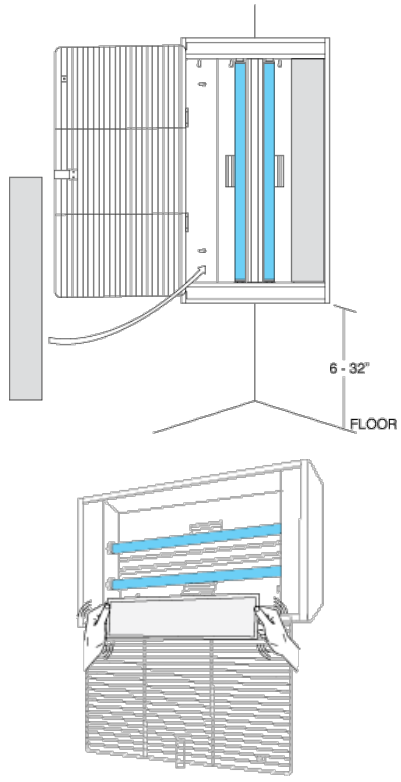
***If necessary to prevent heated glue from oozing out the ends of the board; bend up board at each end of the 1/2" fold and press ends together (forming a tray to contain glue).**

Gilbert® 601GT Sticky Lizard™

The standard 601GT holds one or two large (or regular) glueboard(s) and may be mounted vertically, horizontally, corner-mounted, or, if need be, ceiling hung.

When mounted vertically, glueboards either slip into standard clips on each side of the lamps or are folded, placed in the Lizard's wings, and held in place by gravity, guard door and latch.

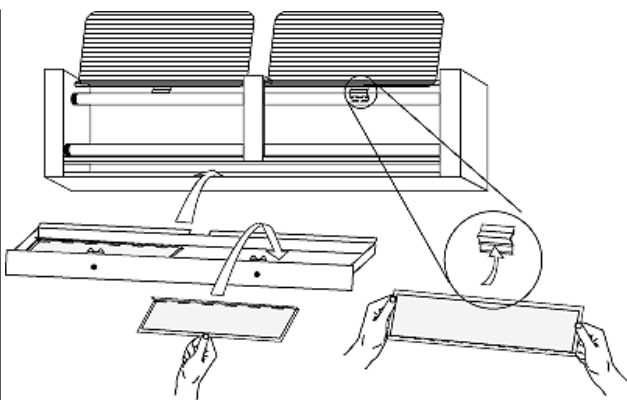
When horizontal, the primary glueboard slips into a wing or slip into standard clip beneath the bottom lamp. A second (optional) glueboard will slip into the clip above the lamps.



Gilbert® 747GT Sticky Bear™

Holds 4 large (or regular) glueboards.

***Glueboard is scored to bend 1/4" edge to help retain insects (especially helpful with clip mounted boards).**



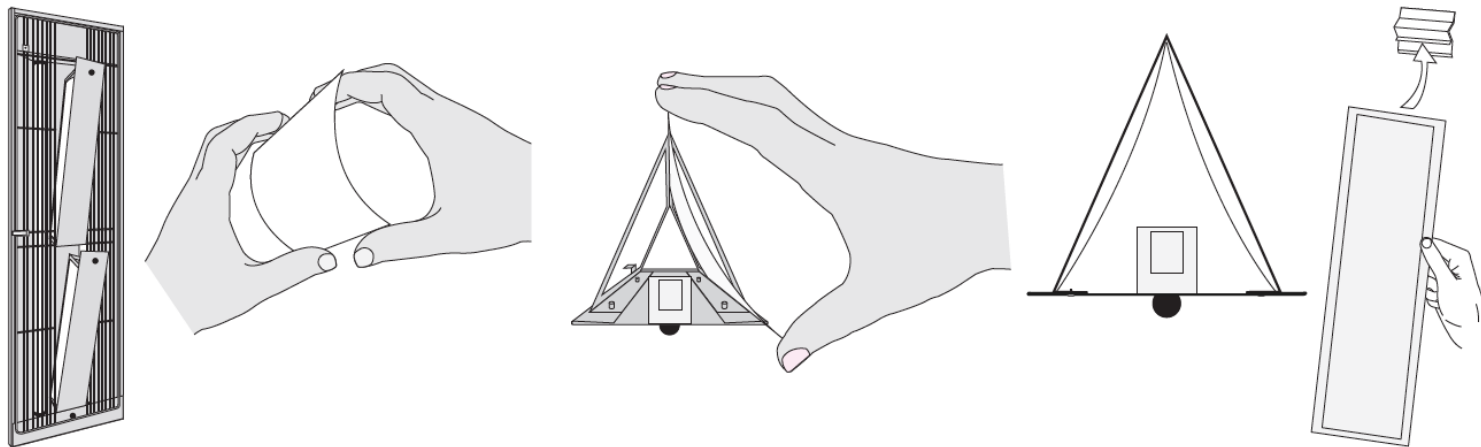
Gilbert® 601D-GT Sticky Don™

Up to eight glueboards may be used in the Gilbert® Sticky Don™. Two in each of the easy access trays on front of the trap and four more wedged into the clips inside the trap. Replace glueboards frequently (weekly, bi-weekly, or monthly, and at least as often as codes require).

Dermestid beetles or other cultures may result from leaving dead insects in the trap for an excessive length of time. Disconnect power and wash the lamps and inner-body with a warm soapy solution and rinse as needed. Clean or replace lamps yearly or when catching power no longer meets your requirements.

To replace glueboards in the Gilbert® Sticky Don™:

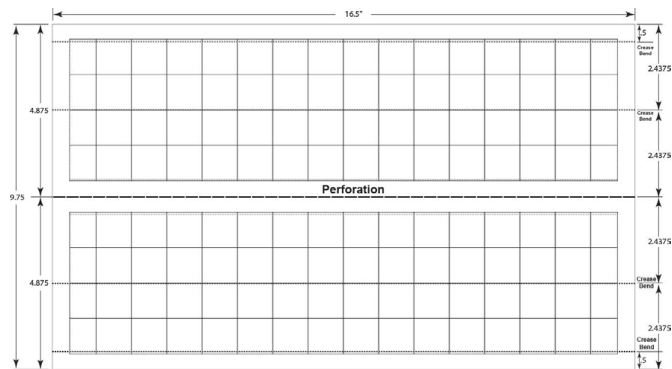
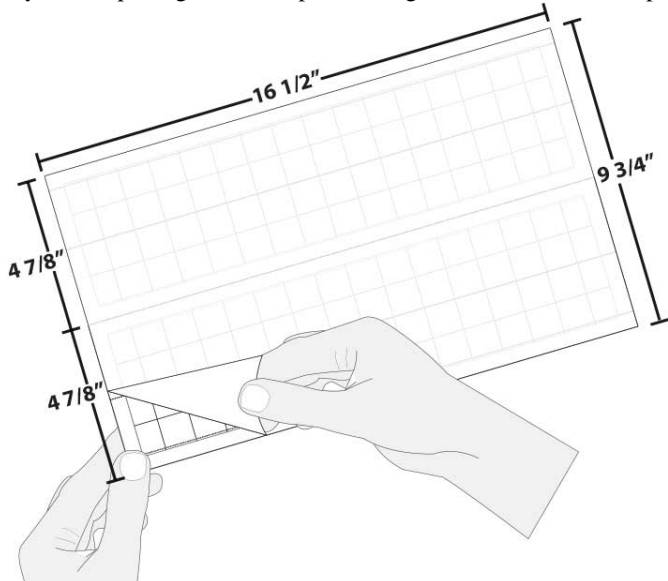
- 1) Use knob to tilt-out easy access trays on the front of the trap. Remove release paper from glueboard with one continuous pull, bend glueboard and slip into tray from above (as shown), one on each side of the two trays, sticky-side out.
- 2) Four additional glueboards may be wedged into the clips provided inside the trap, two on each side.



Extra Large Universal - White Glueboard (w/ Black Grid Lines) 16 1/2" x 4-7/8"

REMOVE RELEASE PAPER with quick, smooth, firm, continuous motion. Once you start pulling, do not stop until the glueboard is freed from paper.

XL glueboards are perforated for tearing into two standard size boards.



NOTE: The first edition of the Gilbert® "XL Universal", perforated and gridded glueboard is 16 1/2" long. The second edition will be 16 1/4" long to make it even more universal.