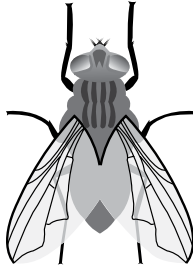


Gilbert®

**PROFESSIONAL
INSECT LIGHT TRAPS**



OWNER'S MANUAL

INSTALLATION • OPERATION • PARTS

For Models: 711, 601T, 601TJ, 601E, 601C, 220, 607, 705, 605

2000GT, 2002GT, 1999GT, 2004GT, 2012GT, 225GT, 601GT, 219GT, 747GT

CAUTION: All Repairs Must Be Performed By Qualified Personnel

READ THIS FIRST

Before use, inspect the unit for in transit damage. Report any damage to the delivering carrier for immediate "claim for damage" to the unit. Before returning a unit for repair, notify your distributor or factory for return authorization. Do not discard the box or packing material until you are certain the unit is in good working order.

Once installed, if trap does not light, make sure the safety actuator switch is engaged by either closing the guard or securing the tray, depending on the particular model. All electrocuting light traps have one such safety switch. If lamp flickers, try reversing lamp(s).

**Hg - LAMPS CONTAIN MERCURY
MANAGE IN ACCORD WITH DISPOSAL LAWS
See: www.lamprecycle.org or 1- 800-643-0400**

Gilbert Industries, Inc.

5611 Krueger Drive, Jonesboro, Arkansas 72401

TOLL-FREE SERVICE PHONE (800)643-0400

PHONE: 870-932-6070 FAX: 870-932-5609 WEBSITE: www.gilbertinc.com

LIMITED 5 YEAR WARRANTY

To the original purchaser of a new Gilbert® Insect Light Trap (except 230 volt units or the Flying Venus™), we warrant that we will replace or repair free of charge any part found by us to be defective in factory workmanship or material for a period of five years from date of purchase. This replacement or repair of defective parts shall constitute the sole and exclusive remedy of the original purchaser. THE FOREGOING WARRANTY IS EXCLUSIVE AND IS IN LIEU OF ANY OTHER EXPRESS OR IMPLIED WARRANTIES, INCLUDING ANY IMPLIED WARRANTY OF MERCHANTABILITY OR FITNESS, AND OF ANY OTHER OBLIGATION ON THE PART OF GILBERT INDUSTRIES, INC. IN NO EVENT SHALL GILBERT INDUSTRIES, INC. BE LIABLE FOR ANY SPECIAL, CONSEQUENTIAL, OR INCIDENTAL DAMAGES, nor for damage due to accident, abuse, lack of reasonable care, normal wear, unauthorized repair or operation on a power source other than 120 volt, 60 Hertz. The provisions of this warranty shall be governed by and construed under the laws of the state of Arkansas.

LIMITED 1 YEAR WARRANTY

To the original purchaser of this new Gilbert® 230 volt or Flying Venus™ Wall Sconce/Fly Traps, we warrant that we will replace or repair free of charge any part found by us to be defective in factory workmanship or material for a period of one year from date of purchase. This replacement or repair of defective parts shall constitute the sole and exclusive remedy of the original purchaser. THE FOREGOING WARRANTY IS EXCLUSIVE AND IS IN LIEU OF ANY OTHER EXPRESS OR IMPLIED WARRANTIES, INCLUDING ANY IMPLIED WARRANTY OF MERCHANTABILITY OR FITNESS, AND OF ANY OTHER OBLIGATION ON THE PART OF GILBERT INDUSTRIES, INC. IN NO EVENT SHALL GILBERT INDUSTRIES, INC. BE LIABLE FOR ANY SPECIAL, CONSEQUENTIAL, OR INCIDENTAL DAMAGES, nor for damage due to accident, abuse, lack of reasonable care, normal wear, unauthorized repair or operation on a power source other than that specified. The provisions of this warranty shall be governed by and construed under the laws of the state of Arkansas.

SAFETY INSTRUCTIONS

CAUTION

For commercial indoor use only. Device not constructed for use outdoors or in wet locations. To avoid risk of fire or electric shock, do not use where it may be exposed to water or direct sunlight, including roofed but open porches. Reserve pour usage commercial a l'interieur. Ce dispositif ne convient pas pour l'exterie ou les emplacements mouilles.

CAUTION

Do not defeat interlock. ATTENTION: Ne pas nuire a l'action du verrouillage de securite.

CAUTION

Switch off power before servicing. Primary circuits are 120 volt, 60HZ and secondary grid voltage is 4500 volts at 9.8MA max.

CAUTION

Remove all packing material (paper, etc.) from unit BEFORE connecting to power. Packing materials left in unit could result in fire.

CAUTION

All repairs and maintenance must be performed by qualified personnel. Removal of insects and user maintenance such as relamping may be performed by user.

CAUTION

Do not insert foreign objects into this product. Extension cords are available and devices for retaining an extension cord connection to the power supply cord are also available through your local electrical supply house. Use extension cord marked SJW-A, SJEW-A, or SJTW-A only. Use only extension cords which have plugs and receptacles which accept the product's plug. Replace or repair damaged cords. The electrical rating of the extension cord must be as great as the electrical rating of the product. Don't abuse cord--never carry product by cord or yank it to disconnect from receptacle. Keep cord from heat, oil, and sharp edges. Disconnect the product from the power supply when not in use, before servicing, when changing lamps, cleaning and the like.

CAUTION

Do not use any electric flytraps in explosion sensitive areas. *See National Electric Code.*

GENERAL SPECIFICATIONS

EXTERIOR FINISH

Anodized aluminum construction is standard (optional finishes available on request). Models 601T and 601TJ are constructed entirely of aluminized steel.

INTERIOR

- Frame and load carrying parts constructed of aluminized-steel. Model 220 is constructed of 100% aluminum for high weight portability.
- 6 foot, 3 wire grounded power cord.
- Operates from standard 115 volt, 60 Hertz power source at .52 to .84 amps. (38 to 93 watts).
- Transformer Secondary is 4500 volts at 9.8MA max.
- All transformers are high reactance, shunt-protected and true current limiting.

Underwriters' Laboratories listed units display the U.L. trademarks and fully comply with standards established by O.S.H.A., U.S.D.A. and other inspection agencies.

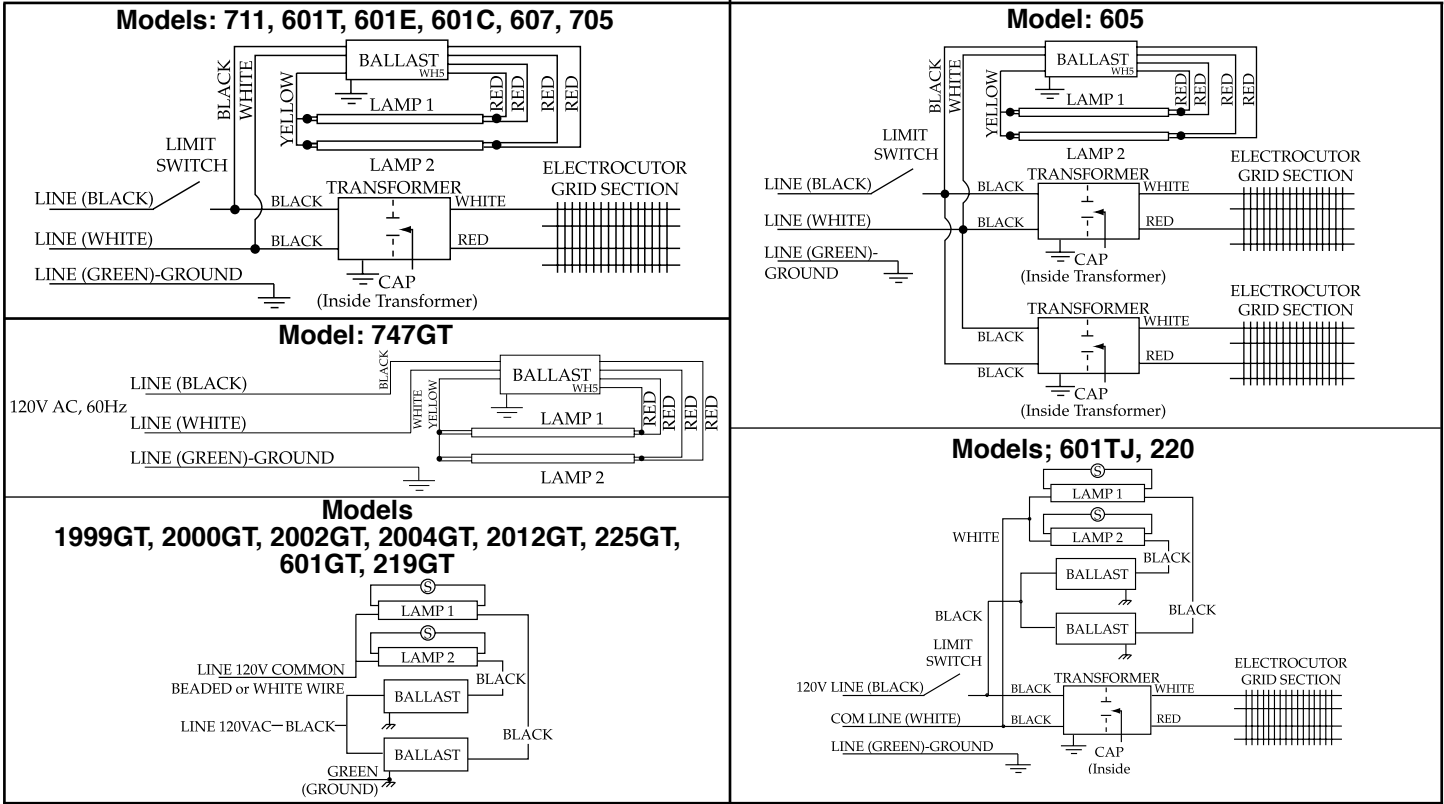
All our flytraps are Canadian Standards Association approved. Units display C.S.A. label.

Registered with the Environmental Protection Agency, EPA Est. 39032-AR-1.

Each unit is equipped with the properly rated spectral energy lamp for maximum insect attractancy. Lamp replacement should be the same brand and number for optimum efficiency. New Shattercatch® coated lamps are available for areas where shatter proof lamps are required.

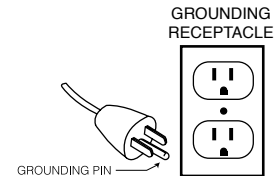
FDA has measured ultraviolet radiation emission from a typical insect attracting device and has concluded that there is not a significant concern about acute health problems. The conclusion was based on Threshold Limit Values (TLV) of exposure as recommended by the American Conference on Governmental Industrial Hygienists (ACGIH) as presented and discussed by Phillips (1983). However, since it's scientifically impossible to rule out possible long-term exposure effects, on our own accord, as a precautionary measure, we suggest it might be prudent for operators to position these devices so that employees are not required to work continuously in close eye level proximity, i.e. over a sink or table where an employee would be within one meter continuously. See: www.gilbertinc.com/lamps.htm

SCHEMATICS--ELECTRICAL CIRCUITS



All units are equipped with 3-wire grounding plug and to reduce the risk of an electric shock should be plugged into an appropriate outlet that is properly installed and grounded. Consult a qualified electrician or serviceman if the grounding instructions are not completely understood, or if doubt as to whether proper grounding exists.

Use only 3-wire extension cords which have 3-prong grounding type plugs and 3-pole receptacles which accept the product's plug. Replace or repair damaged cords.



STRATEGIC INSTALLATION

Flying Insects are highly attracted to our trap designs and the lamps we have selected. Coupled with good integrated management procedures, Gilbert® traps provide unequalled flying insect control. And, a few even provide beauty and style.

Good strategy emphasizes eliminating flies early, well before they get into the area(s) you most need to protect (i.e. kitchens, production areas, dining areas, etc.). When possible, find the source of the problem and deal with it. Dumpster control tactics, sanitation, physical exclusion, strategic lighting, employee education, the judicious use of approved chemicals, and Gilbert® traps are all part of a well integrated fly management program.

Place the first traps at entrance(s), then bottlenecks. Spread traps out along the flyways from outside entrances (especially those near dumpsters) to the area(s) you need to protect. Be careful not to position traps too close to an entrance drawing an excess of insects inside. Window tinting film will screen out most UV and reduce night-fliers congregating on glass doorways.

Light traps are more attractive to (finicky) flies when placed down low. Night fliers are more immediately responsive to traps (you've seen how insanely they are drawn to porch lights). Night fliers will go down to traps much more readily than flies will go up. Most traps should be placed down low, the lower the better. See: gilbertinc.com/strategic.htm.

Consider ADA (American Disabilities Act) when installing traps (See: gilbertinc.com/ada.htm)

MAINTENANCE

1. Empty and clean catch trays (or replace glueboards) frequently. Cultures may result from leaving dead insects in the unit. Clean bi-weekly or at least as often as local codes require.
2. Disconnect power and wash the lamps and inner-body with a warm soapy solution and rinse as needed. Clean the grid section of electrocuters with a stiff brush. All exterior finishes require cleaning and care to maintain their original luster.

Never clean brass surface with ammonia cleaner to avoid removing protective lacquer.

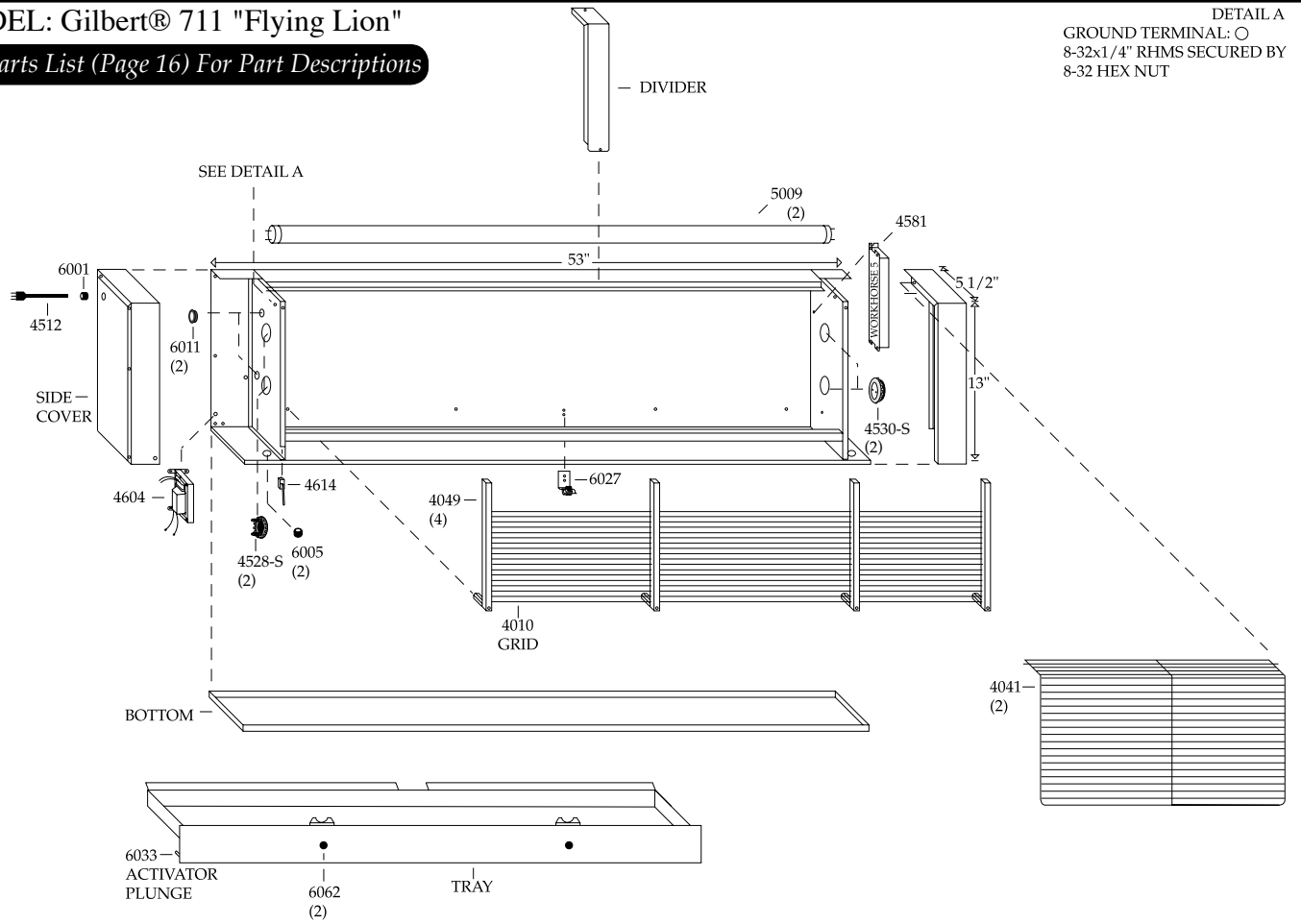
3. Replace lamps/glueboards regularly: gilbertinc.com/lamprep.htm. See also: gilbertinc.com/glueboard.htm

**Hg - LAMPS CONTAIN MERCURY
MANAGE IN ACCORD WITH DISPOSAL LAWS
See: www.lamprecycle.org or 1- 800-643-0400**

MODEL: Gilbert® 711 "Flying Lion"

See Parts List (Page 16) For Part Descriptions

DETAIL A
GROUND TERMINAL: ○
8-32x1/4" RHMS SECURED BY
8-32 HEX NUT



INSTALLATION AND APPLICATION

REMOVE ALL PACKING MATERIALS BEFORE INSTALLATION

PROFESSIONAL ELECTROCUTING LIGHT TRAPS

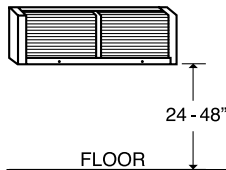
Model 711 Flying Lion™

INSTALLATION INSTRUCTIONS

1. LAMPS SHOULD BE IN A HORIZONTAL POSITION WHEN UNIT IS PROPERLY INSTALLED.

2. USING A LEVEL AND PENCIL, DRAW A STRAIGHT 33" LINE APPROX. 3' ABOVE FLOOR. COME IN 1/4" FROM ONE END AND MARK ACROSS THAT LINE. MEASURE 32" FROM THAT POINT AND MAKE A SECOND MARK. MOUNT THE TWO SCREWS (PROVIDED) AT THE CROSSPOINTS, LEAVING 1/2" OF THE SCREW STICKING OUT. SLIDE UNIT ONTO MOUNTING SCREWS AND CONNECT TO AC POWER.

NOTE: IF MOUNTING ON MASONRY, USE A 3/16" BIT (NOT PROVIDED) AND DRILL OUT THE TWO CROSS MARKS AND INSERT THE TWO PLASTIC ANCHORS (PROVIDED) BEFORE MOUNTING THE TWO SCREWS.



The Flying Lion™ is a superior trap to control flies and other flying insects. Keyhole slots are located on back for wall installation. **Generally speaking, the lower any trap is placed, the more effective it is against flies.** The Flying Lion™ is normally mounted 24" above the floor.

Models 601T Don™, 601E Executive™ & 601TJ Junior™

INSTALLATION INSTRUCTIONS

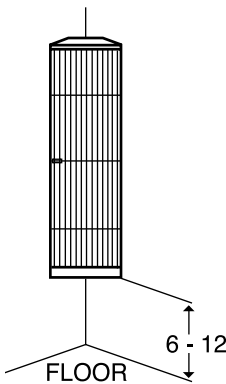
1. LAMPS SHOULD BE IN A VERTICAL POSITION WHEN UNIT IS PROPERLY INSTALLED.

2. **FOR FLAT-WALL MOUNTING:** USING A LEVEL AND PENCIL, DRAW A STRAIGHT 7" LINE APPROX. 5' ABOVE FLOOR. COME IN 1/4" FROM ONE END AND MARK ACROSS THAT LINE. MEASURE 5 1/4" FROM THAT POINT AND MAKE A SECOND MARK. MOUNT THE TWO SCREWS (PROVIDED) AT THE CROSSPOINTS, LEAVING 1/2" OF THE SCREW STICKING OUT. SLIDE UNIT ONTO MOUNTING SCREWS AND CONNECT TO AC POWER.

3. **FOR CORNER MOUNTING:** USING A LEVEL AND PENCIL, DRAW A STRAIGHT 8 1/2" LINE FROM THE CORNER IN BOTH DIRECTIONS, APPROX. 5' ABOVE FLOOR. MAKE A CROSS MARK AT THE END OF BOTH LINES. MOUNT THE TWO SCREWS (PROVIDED) AT THE CROSSPOINTS, LEAVING 1/2" OF THE SCREW STICKING OUT. SLIDE UNIT ONTO MOUNTING SCREWS AND CONNECT TO AC POWER.

4. AFTER MOUNTING UNIT, OPEN THE GUARD AND PUT THE 2 ADDITIONAL SCREWS (PROVIDED) IN THE 2 SLOTS AT THE BOTTOM.

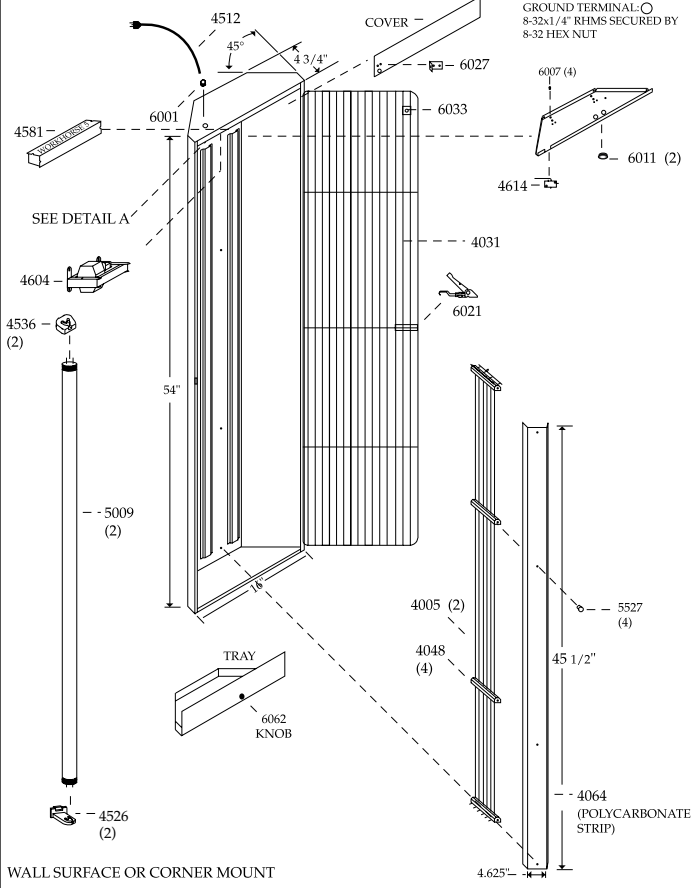
5. MODELS 601E & 601C (ONLY) MAY BE RECESS MOUNTED IN WALL. **NOTE:** IF MOUNTING ON MASONRY, USE A 3/16" BIT (NOT PROVIDED) AND DRILL OUT THE TWO CROSS MARKS AND INSERT THE TWO PLASTIC ANCHORS (PROVIDED) BEFORE MOUNTING THE TWO SCREWS.



The Don™, Executive™ and Junior™ are for use indoors to control flies and other flying insects. These models have keyhole slots located on the back for wall or corner installation and should be mounted 6" to 12" above floor for best results.

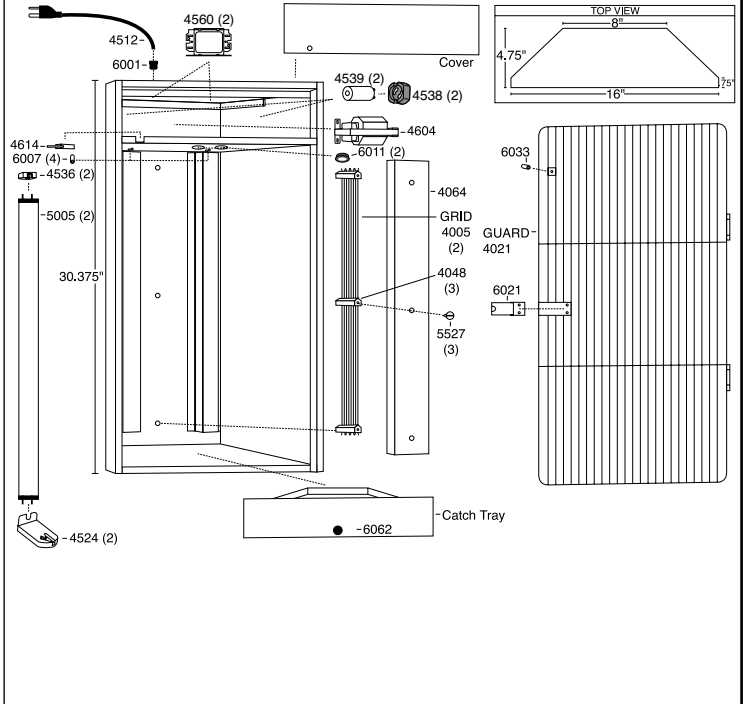
To recess mount the Executive™, remove wing nut at bottom of inner body (which contains all electrical components), pull out bottom of inner body, slide down and out. Mount outer case permanently into wall. Reverse process to insert inner body.

MODEL: Gilbert® 601T "Don"



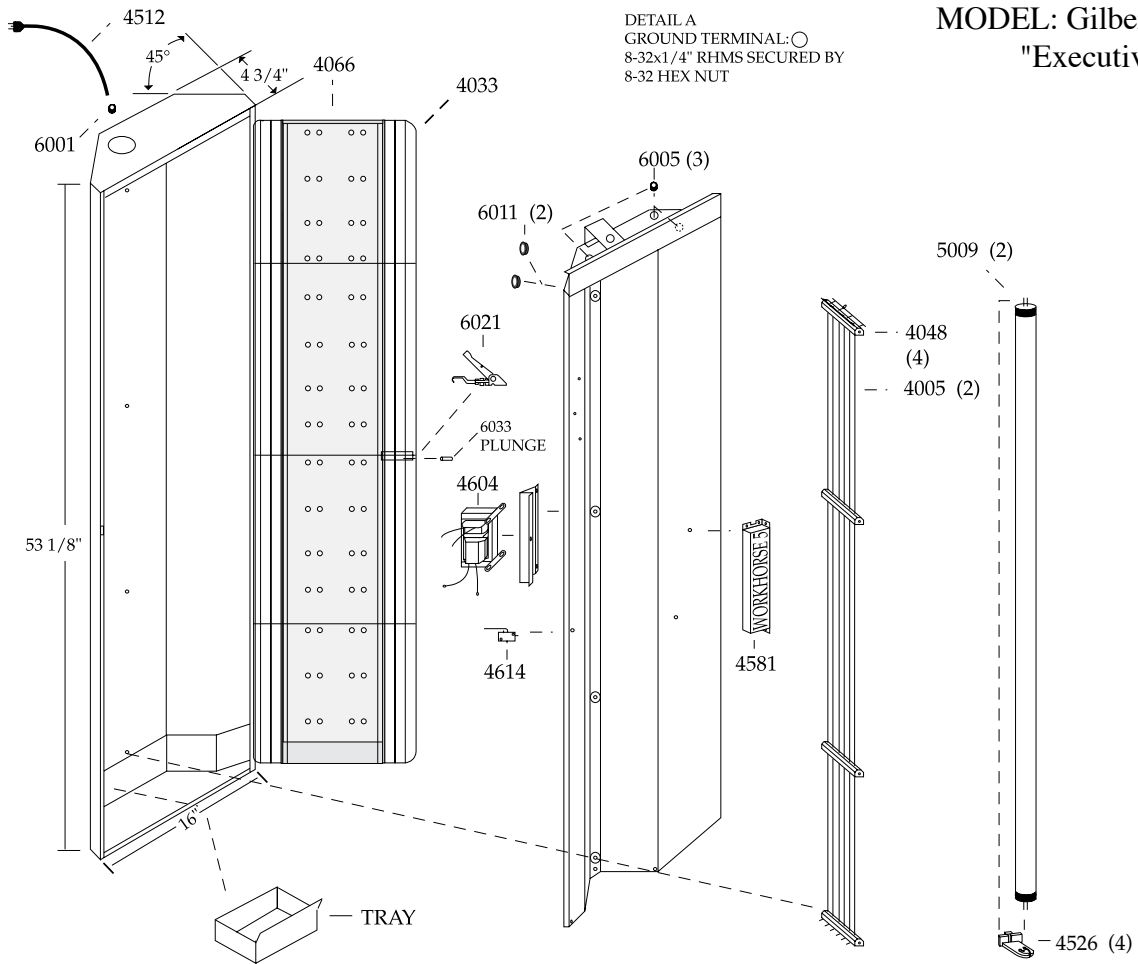
MODEL: Gilbert® 601TJ "Junior"

See Parts List (Page 16) For Part Descriptions



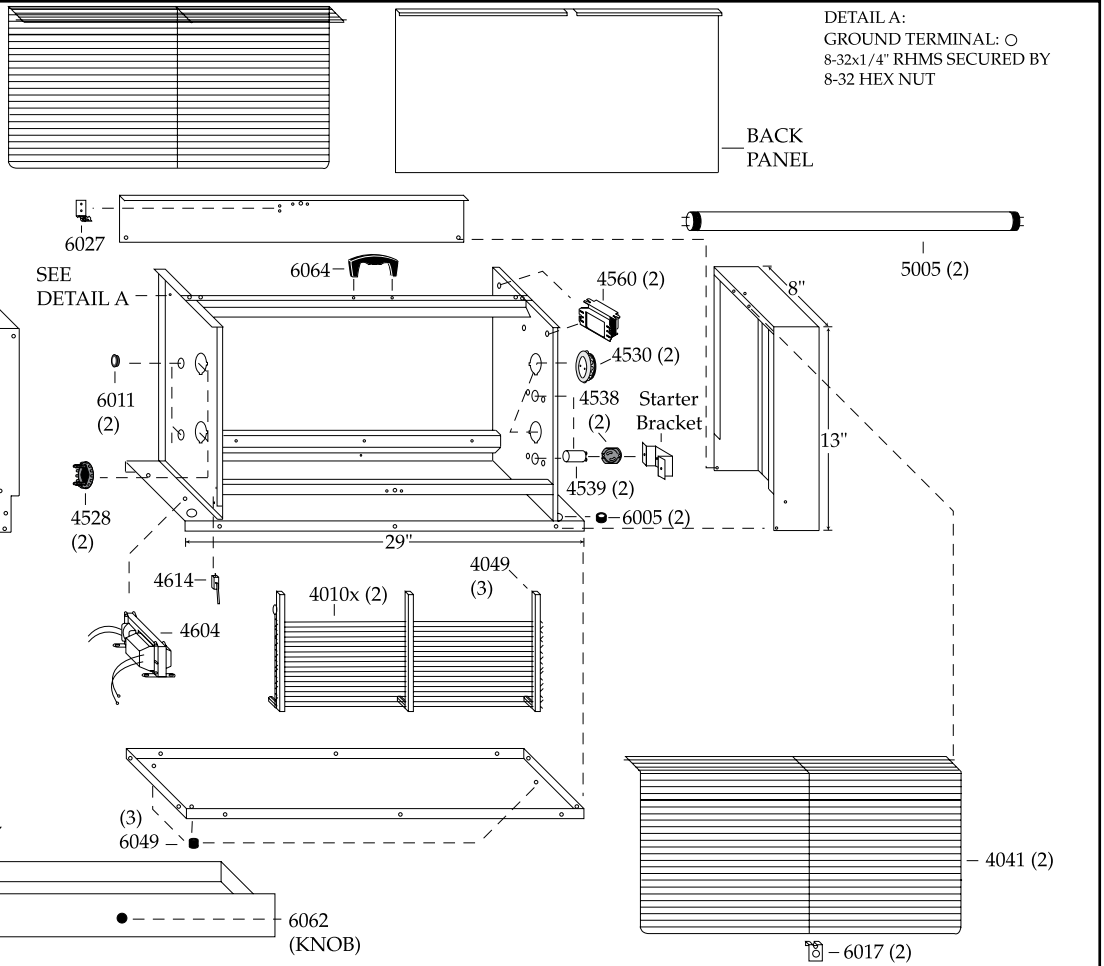
**MODEL: Gilbert® 601E
"Executive"**

DETAIL A
GROUND TERMINAL: ○
8-32x1/4" RHMS SECURED BY
8-32 HEX NUT



MODEL: Gilbert® 220
"Guerrilla"

See Parts List (Page 16)
 For Part Descriptions



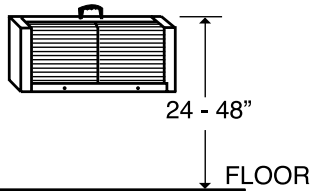
INSTALLATION AND APPLICATION

REMOVE ALL PACKING MATERIALS BEFORE INSTALLATION

PROFESSIONAL ELECTROCUTING LIGHT TRAP

Model 220 Guerrilla™ - Multiple Applications:

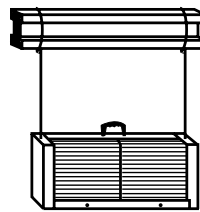
WALL -MOUNTED



INSTALLATION INSTRUCTIONS

1. THIS UNIT IS DESIGNED FOR INDOOR USE ONLY.
2. LAMPS SHOULD BE IN A HORIZONTAL POSITION WHEN UNIT IS PROPERLY INSTALLED.
3. USING A LEVEL AND PENCIL, DRAW A STRAIGHT 28" LINE 24"-48" ABOVE FLOOR. COME IN 1/4" FROM ONE END AND MARK ACROSS THAT LINE. MEASURE 27" FROM THAT POINT AND MAKE A SECOND MARK. MOUNT THE TWO SCREWS (PROVIDED) AT THE CROSSPOINTS, LEAVING 1/2" OF THE SCREW STICKING OUT. SLIDE UNIT ONTO MOUNTING SCREWS AND CONNECT TO AC POWER.
 NOTE: IF MOUNTING ON MASONRY, USE A 3/16" BIT (NOT PROVIDED) AND DRILL OUT THE TWO CROSS MARKS AND INSERT THE TWO PLASTIC ANCHORS (PROVIDED) BEFORE MOUNTING THE TWO SCREWS.

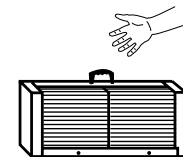
CEILING-HUNG



INSTALLATION INSTRUCTIONS

1. THIS UNIT IS DESIGNED FOR INDOOR USE ONLY.
2. LAMPS SHOULD BE IN A HORIZONTAL POSITION WHEN UNIT IS PROPERLY INSTALLED.
3. SUSPEND BY CHAIN (NOT PROVIDED) 7 TO 10 FEET HIGH OR 6 INCHES ABOVE PRODUCT STOCK.

OR USED AS LIGHTWEIGHT-PORTABLE



INSTALLATION INSTRUCTIONS

1. THIS UNIT IS DESIGNED FOR INDOOR USE ONLY.
2. LAMPS SHOULD ALWAYS BE IN A HORIZONTAL POSITION.
3. MAY BE USED WITH PROPER EXTENSION CORD FOR TEMPORARY SURVEILLANCE OR SPOT CONTROL (OVERNIGHT, FOR EXAMPLE). MOST EFFECTIVE WHEN PLACED ON FLOOR IN MIDDLE OF TARGET AREA.

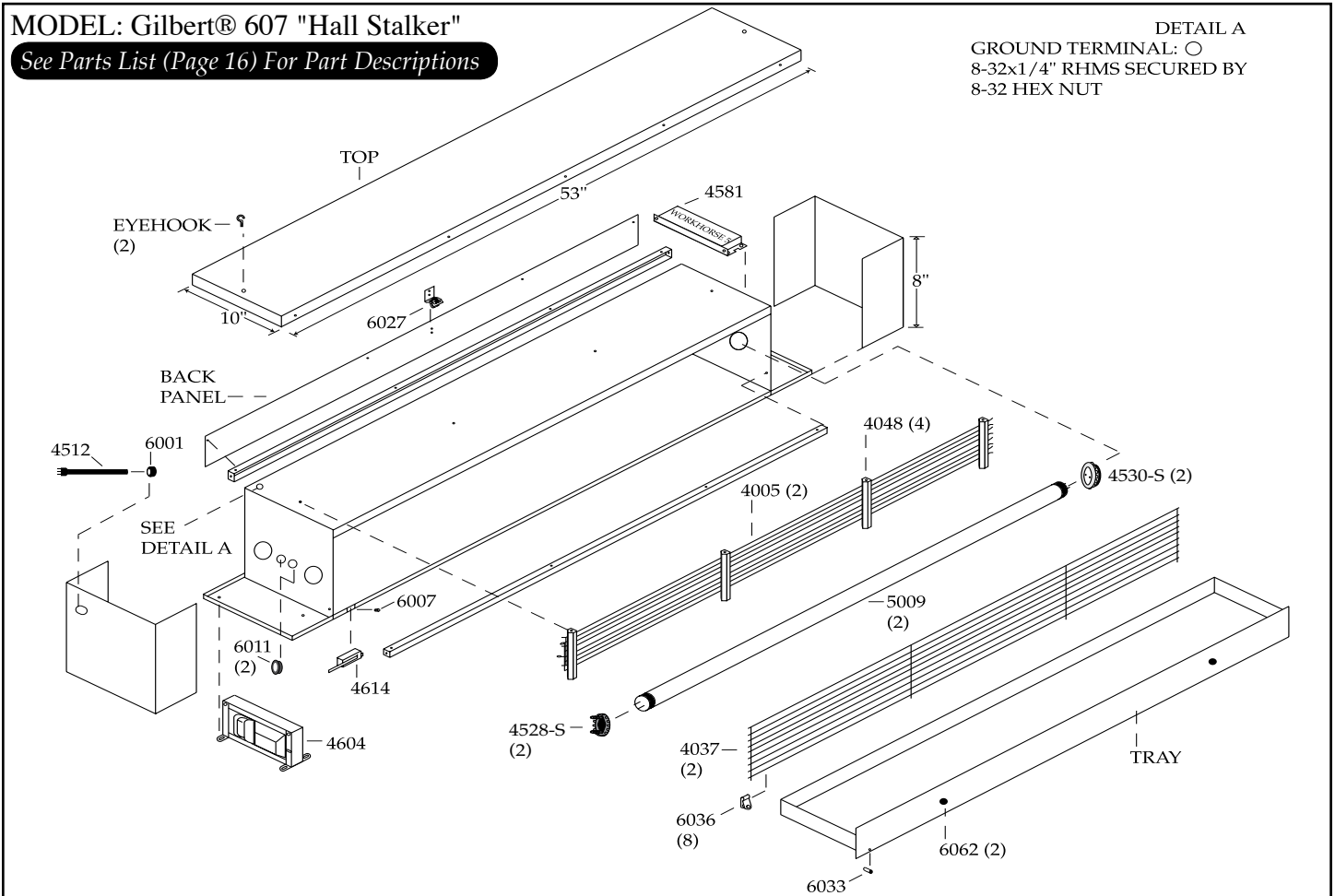
Place wall-mounted traps down low to best catch day-flying insects like the housefly.

With very few exceptions, the lower any light trap is placed the more effective it will be against flies!

MODEL: Gilbert® 607 "Hall Stalker"

See Parts List (Page 16) For Part Descriptions

DETAIL A
GROUND TERMINAL: ○
8-32x1/4" RHMS SECURED BY
8-32 HEX NUT

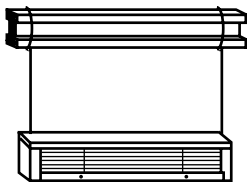


INSTALLATION AND APPLICATION

REMOVE ALL PACKING MATERIALS BEFORE INSTALLATION

PROFESSIONAL ELECTROCUTING LIGHT TRAP

Model 607 Hall Stalker™



7 1/2'-10'

FLOOR

INSTALLATION INSTRUCTIONS

1. THIS UNIT IS DESIGNED FOR INDOOR USE ONLY.
2. LAMPS SHOULD BE IN A HORIZONTAL POSITION WHEN UNIT IS PROPERLY INSTALLED.
3. FLUSH WITH CEILING OR SUSPEND 7 1/2 - 10 FEET ABOVE FLOOR OR 6" ABOVE PRODUCT STACKS.

The Hall Stalker™ features flush-mount capability for low ceiling areas. Most effective against night-fliers, but fairly effective against flies when there is not room for a low, wall-mounted trap or sconce trap. Mount flush with ceiling or suspend from ceiling using eyebolts. To replace lamps, guard must be removed from tray side of trap by the removal of 4 screws.

Ceiling traps will catch flies, but it is in the nature of flies to be below five feet high (even skimming the floor) when they are most responsive.

Traps are also more easily and more likely to be maintained when installed at waist level.

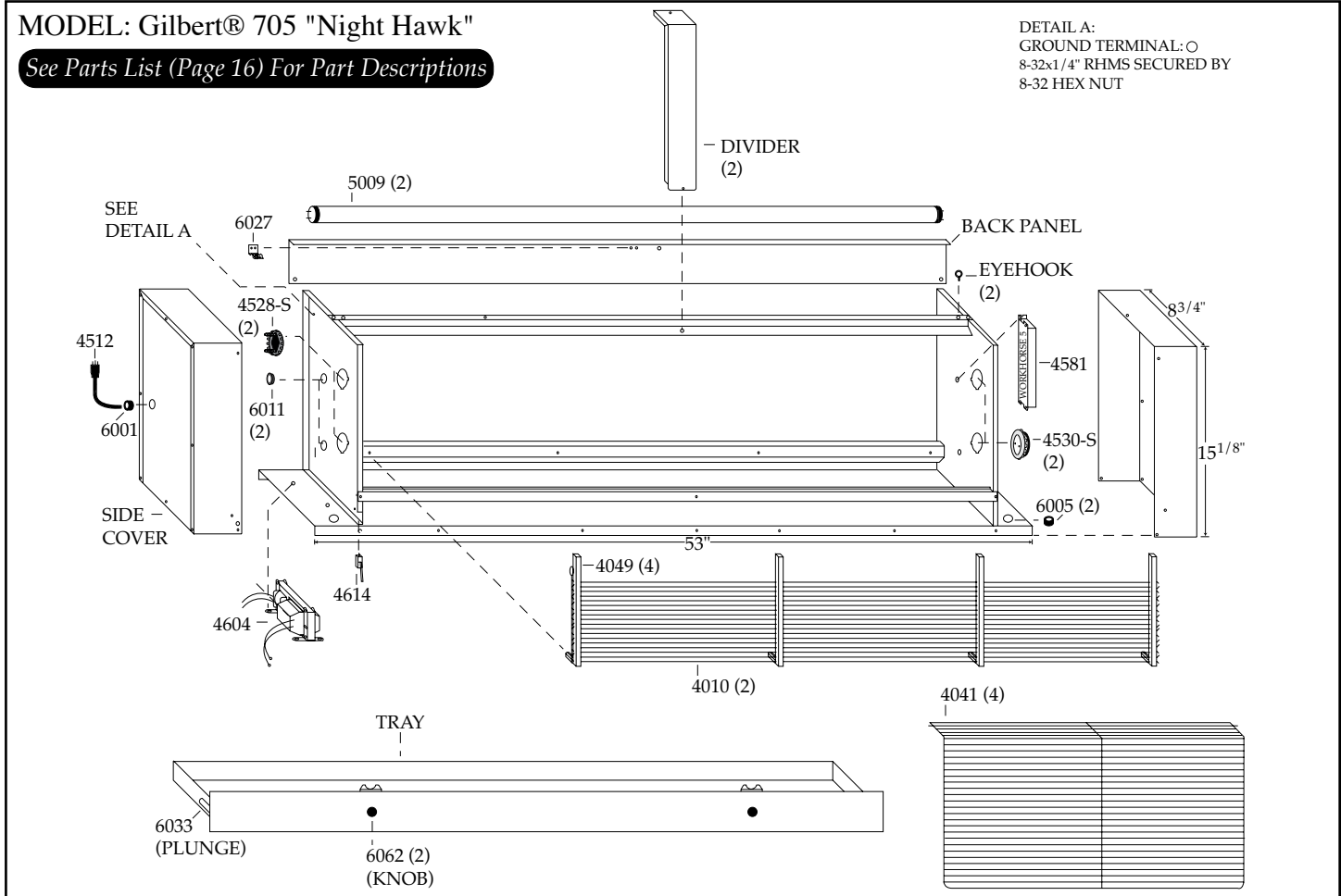
Ceiling-hung flytraps are the best choice for night-fliers. However, night-fliers respond to light more quickly and at greater distances than day-fliers, and can usually be handled with strategic use of lighting and a well designed system consisting primarily of low, wall-mounted, professional flytraps.

Traps placed in double or triple-door entrance foyers are most effective. Bottlenecks, corners, and stairwells also make excellent trap locations to intercept flying insects before they reach a production area, kitchen, dining area, or operating room.

MODEL: Gilbert® 705 "Night Hawk"

See Parts List (Page 16) For Part Descriptions

DETAIL A:
GROUND TERMINAL: ○
8-32x1/4" RHMS SECURED BY
8-32 HEX NUT

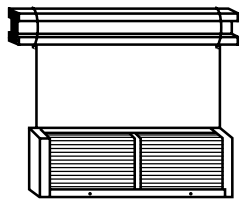


INSTALLATION AND APPLICATION

REMOVE ALL PACKING MATERIALS BEFORE INSTALLATION

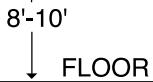
PROFESSIONAL ELECTROCUTING LIGHT TRAP

Model 705 Night Hawk™



INSTALLATION INSTRUCTIONS

1. THIS UNIT IS DESIGNED FOR INDOOR USE ONLY.
2. LAMPS SHOULD BE IN A HORIZONTAL POSITION WHEN UNIT IS PROPERLY INSTALLED.
3. SUSPEND 8-10 FEET ABOVE FLOOR, OR 6" ABOVE PRODUCT STACKS.



The Night Hawk™ features excellent effectiveness against night flying insects and is fairly effective against flies. Trap position (high for night-flyers / low for flies) has more to do with this than trap design. Ceiling suspend the Night Hawk™ with chain (not included) approximately 8' above floor or 6" above product stacks.

Light traps will catch flies better when there is less sunlight to compete with. Window tinting film will screen out most UV (ultraviolet) which is the most attractive part of sunlight for most flying insects.

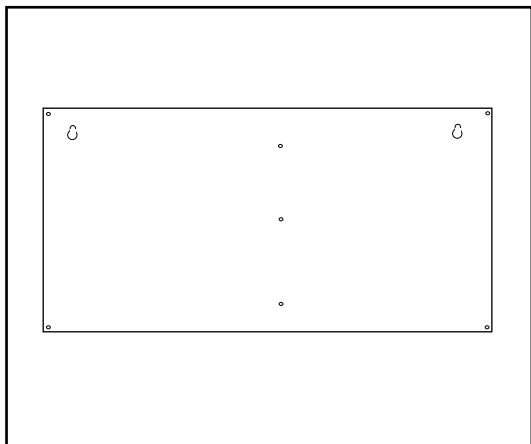
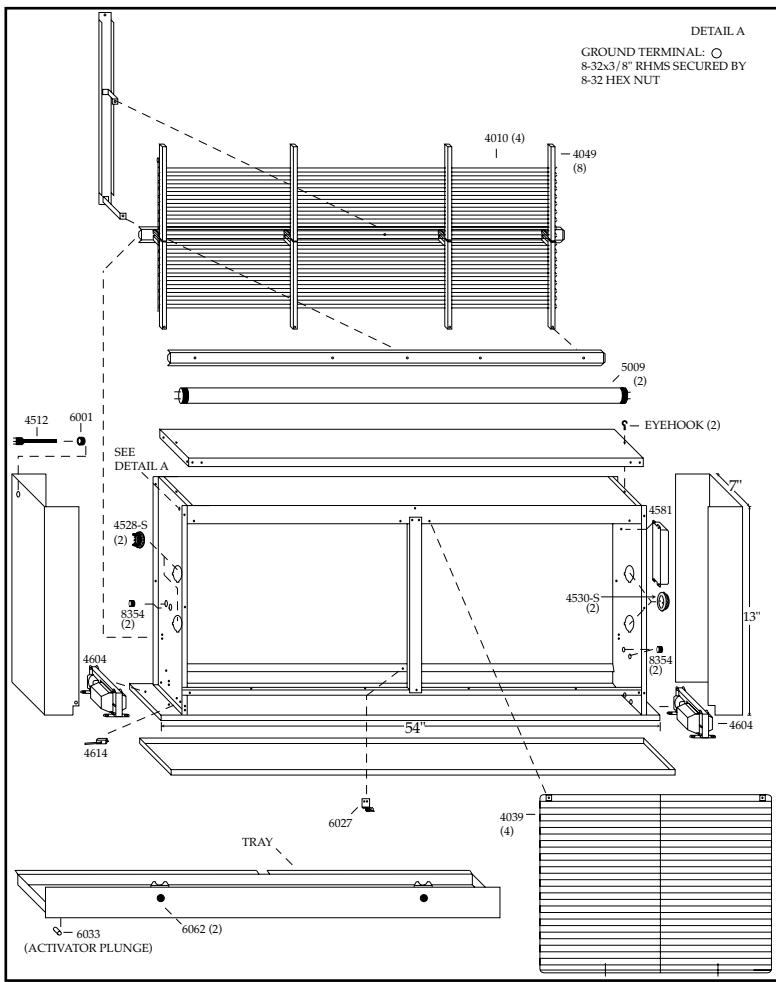
Don't worry. ordinary lighting (such as flourescent lamps) will not competewith or reduce the effectiveness of Insect Light Traps (ILTs) much, if at all.

Light traps will do their best as the sun goes down. The theory is that flies see light traps as open windows. And, as the sun sets, they attempt to leave the dark room and instead are caught in the trap.

DETAIL A
 GROUND TERMINAL: ○
 8-32x3/8" RHMS SECURED BY
 8-32 HEX NUT

MODEL: Gilbert® 605 "Night Eagle"

See Parts List (Page 16) For Part Descriptions



Model: Gilbert® 605WD "Wild Dragon" is identical to 605 except the "WD" includes a reflector panel for wall mounting.

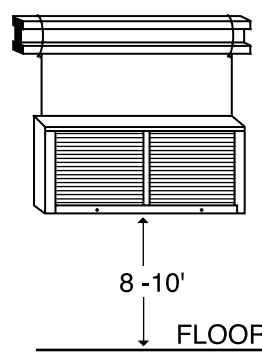
See Parts List (Page 16)
 For Part Descriptions

INSTALLATION AND APPLICATION

REMOVE ALL PACKING MATERIALS BEFORE INSTALLATION

PROFESSIONAL ELECTROCUTING LIGHT TRAP

Model 605 Night Eagle™



INSTALLATION INSTRUCTIONS

1. THIS UNIT IS DESIGNED FOR INDOOR USE ONLY.
2. LAMPS SHOULD BE IN A HORIZONTAL POSITION WHEN UNIT IS PROPERLY INSTALLED.
3. **FOR CEILING MOUNTING:** SUSPEND 8-10 FEET ABOVE FLOOR OR 6" ABOVE PRODUCT STACKS.
4. **FOR FLAT-WALL MOUNTING:** USING A LEVEL AND PENCIL, DRAW A STRAIGHT 33" LINE 24"-48" ABOVE FLOOR. COME IN 1/4" FROM ONE END AND MARK ACROSS THAT LINE. MEASURE 32" FROM THAT POINT AND MAKE A SECOND MARK. MOUNT THE TWO SCREWS (PROVIDED) AT THE CROSSPOINTS, LEAVING 1/2" OF THE SCREW STICKING OUT. SLIDE UNIT ONTO MOUNTING SCREWS AND CONNECT TO AC POWER.

NOTE: IF MOUNTING ON MASONRY, USE A 3/16" BIT (NOT PROVIDED) AND DRILL OUT THE TWO CROSS MARKS AND INSERT THE TWO PLASTIC ANCHORS (PROVIDED) BEFORE MOUNTING THE TWO SCREWS.

The Night Eagle™ features superior effectiveness against night-flying insects (especially those with large circular flight patterns). This trap is most often used above and perpendicular to shipping/receiving docks (take care not to locate any traps where additional insects can be attracted into the facility). Adding optional back reflector panel converts 605 to 605WD Wild Dragon in order to target flies (with low wall-mount installation).

Taking into account the photoperiodic nature of flies, an effort should be made to spread the traps evenly throughout a facility so that when such an insect does enter a responsive period there will be a trap nearby.

Gilbert® Flying Venus™

WALL-SCONCE / FLY TRAPS

First, be sure to remove protective plastic sheeting from brass units. Never clean brass surface with ammonia cleaner to avoid removing protective lacquer.

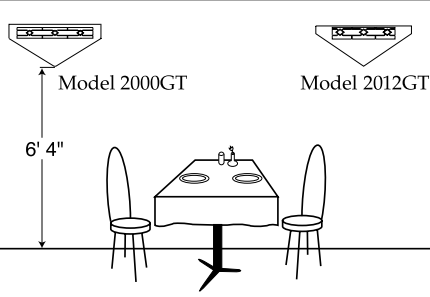
The Flying Venus™ is a serious integrated pest management tool.

Though not as powerful as our larger traps, Venus goes unrecognized as a flytrap in elegant dining rooms, hospital hallways, etc., adding a whole new line of defense, increasing the effectiveness of the overall system and helping to reduce the need for chemical methods of control.

A decorative electrical cord (120v grounded) is provided. However, **we recommend having Venus hardwired for aesthetics** (universal and keyhole mounts provided).

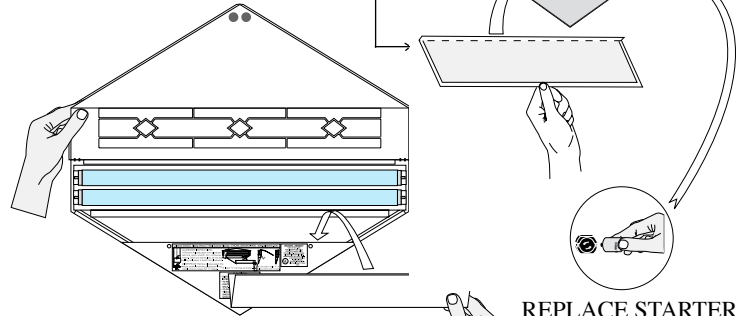
Lamps should be replaced regularly to maintain peak performance: See gilbertinc.com/lampprep.htm

NOTE: All sconce flytraps have both 16" & 19 3/16" keyhole mounting centers. For mounting on wood, use the 2 screws provided. For mounting on masonry, drill a 3/16" hole and insert the plastic anchors first.



Venus' fly-catching glueboard is completely concealed; yet with the lift of a finger, her magnetic face swings up for easy glueboard replacement.

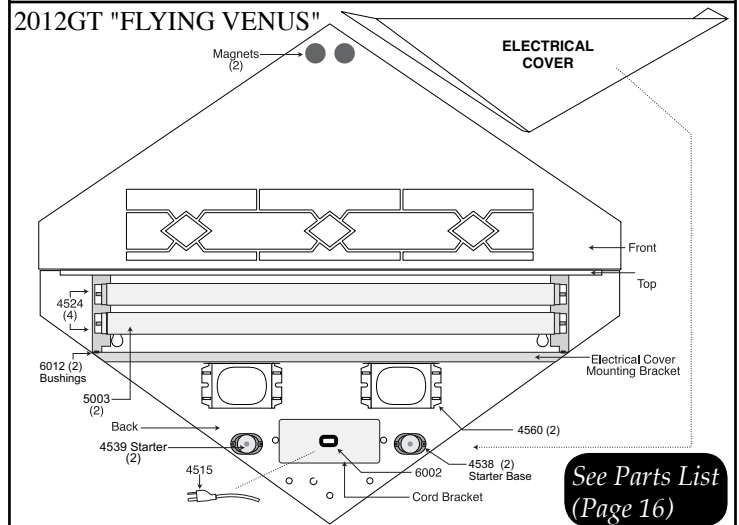
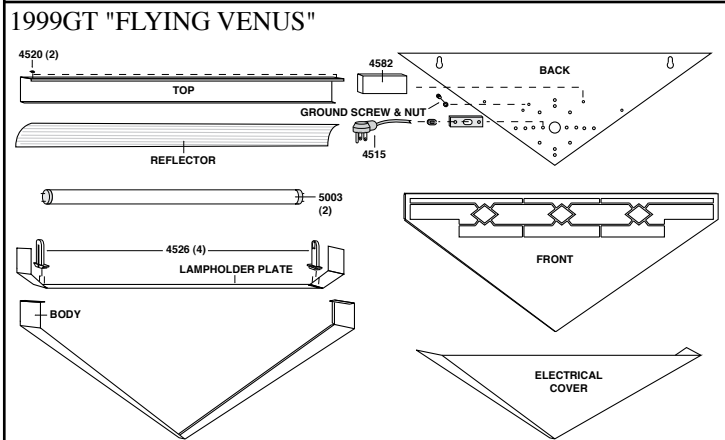
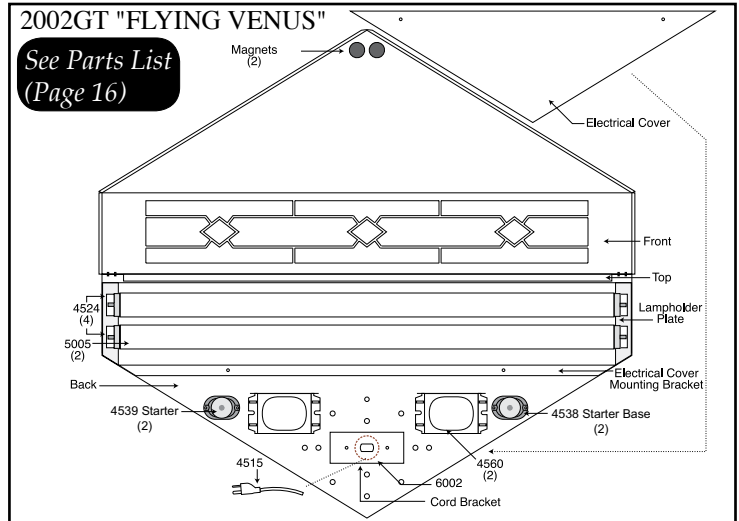
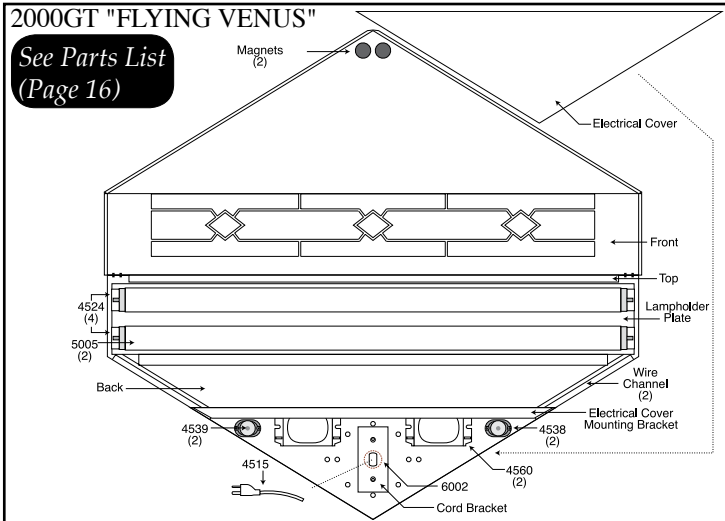
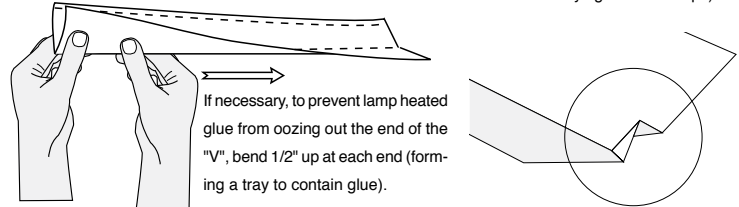
Glueboards are easily placed flat in both the 2002GT AND 2012GT.



REPLACE STARTER

In our most beautiful, super-thin (only 2-3/4" deep), 2000GT Flying Venus™, Gilbert® glueboards are scored for bending into a "V" shape for a perfect, space saving fit.

If it should ever be necessary, remove two screws to access and replace starter (located inside the triangular compartment on all Flying Venus™ traps).



This trap is being replaced by the more effective 2012GT (at right).

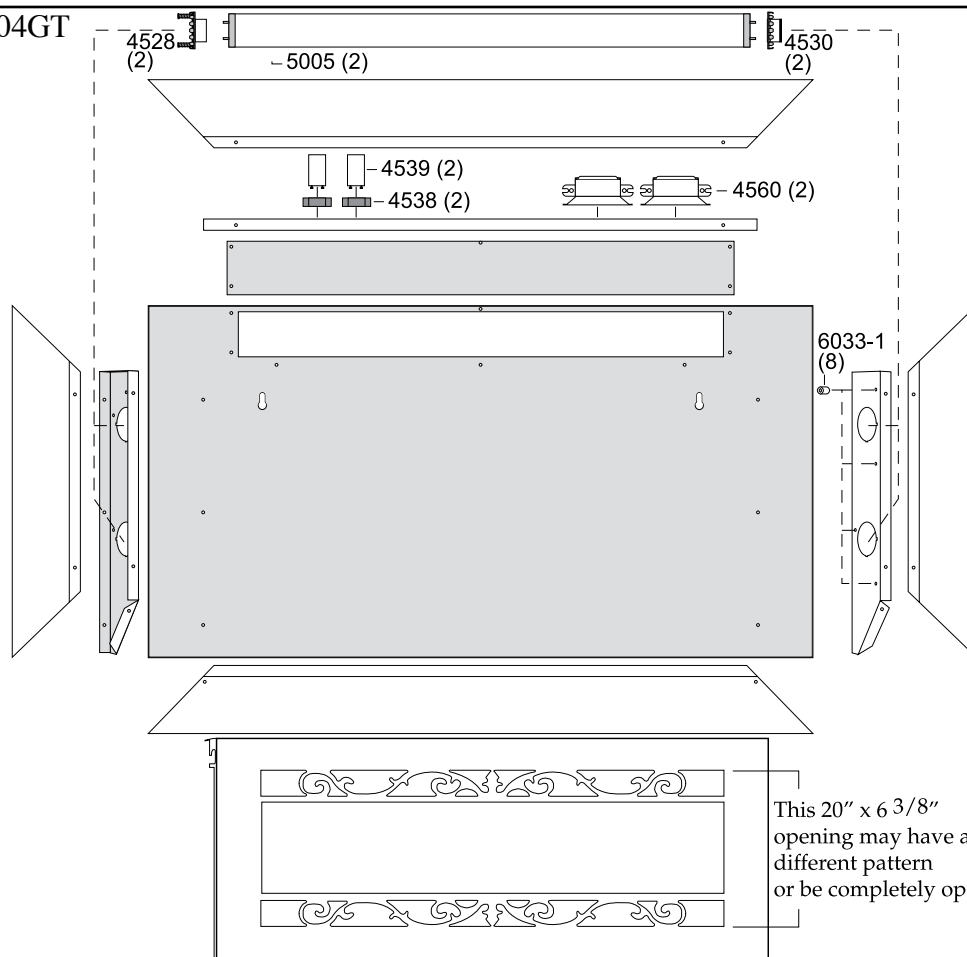
See Parts List (Page 16)

See Parts List (Page 16)

MODEL: Gilbert® 2004GT

"Leonardo Da Trapi"

See Parts List (Page 16)
For Part Descriptions



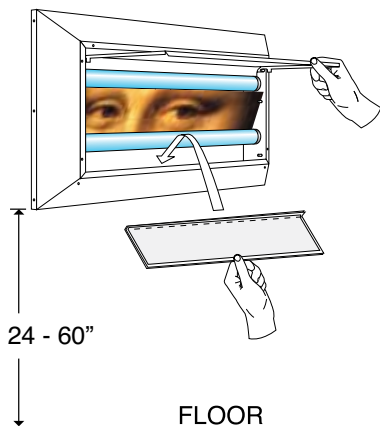
INSTALLATION AND APPLICATION

REMOVE ALL PACKING MATERIALS BEFORE INSTALLATION

PROFESSIONAL GLUEBOARD LIGHT TRAP

The Gilbert® 2004GT Leonardo Da Trapi™ is the world's first, serious flytrap art. You can stick with Leo's Mona Lisa Masterpiece (included) or slip-in a masterpiece (or ad) of your own. (See gilbertinc.com/masterpiece.htm). Really set yourself apart with *premium* custom-punched frames.

CHOOSE! (1) the standard six foot, 3-wire power cord, or (2) the highly recommended hard-wire version! Yes, we highly recommend the optional hard-wire version for the more aesthetically pleasing, cordless look. Universal knockouts and keyhole mounting slots provided.



INSTALLATION INSTRUCTIONS

1. THIS UNIT IS DESIGNED FOR INDOOR USE ONLY.
2. LAMPS SHOULD BE IN A HORIZONTAL POSITION WHEN UNIT IS PROPERLY INSTALLED.
3. USING A LEVEL AND PENCIL, DRAW A STRAIGHT 20" LINE 24"-60" ABOVE FLOOR. COME IN 1/4" FROM ONE END AND MARK ACROSS THAT LINE. MEASURE 19 3/16" FROM THAT POINT AND MAKE A SECOND MARK. MOUNT THE TWO SCREWS (PROVIDED) AT THE CROSSPOINTS, LEAVING 1/2" OF THE SCREW STICKING OUT. SLIDE UNIT ONTO MOUNTING SCREWS AND CONNECT TO AC POWER.
NOTE: IF MOUNTING ON MASONRY, USE A 3/16" BIT (NOT PROVIDED) AND DRILL OUT THE TWO CROSS MARKS AND INSERT THE TWO PLASTIC ANCHORS (PROVIDED) BEFORE MOUNTING THE TWO SCREWS.
4. WE HIGHLY RECOMMEND THE HARDWIRED, CORDLESS LOOK.

The Leonardo Da Trapi™ is hung, like other masterpieces, where it looks the best. However, keep in mind, the lower any trap is placed, almost always, makes it more effective against flies.

Though glueboard flytraps are quite snug with a bug; we highly recommend that NO insect light trap be placed directly over food or food preparation surfaces.

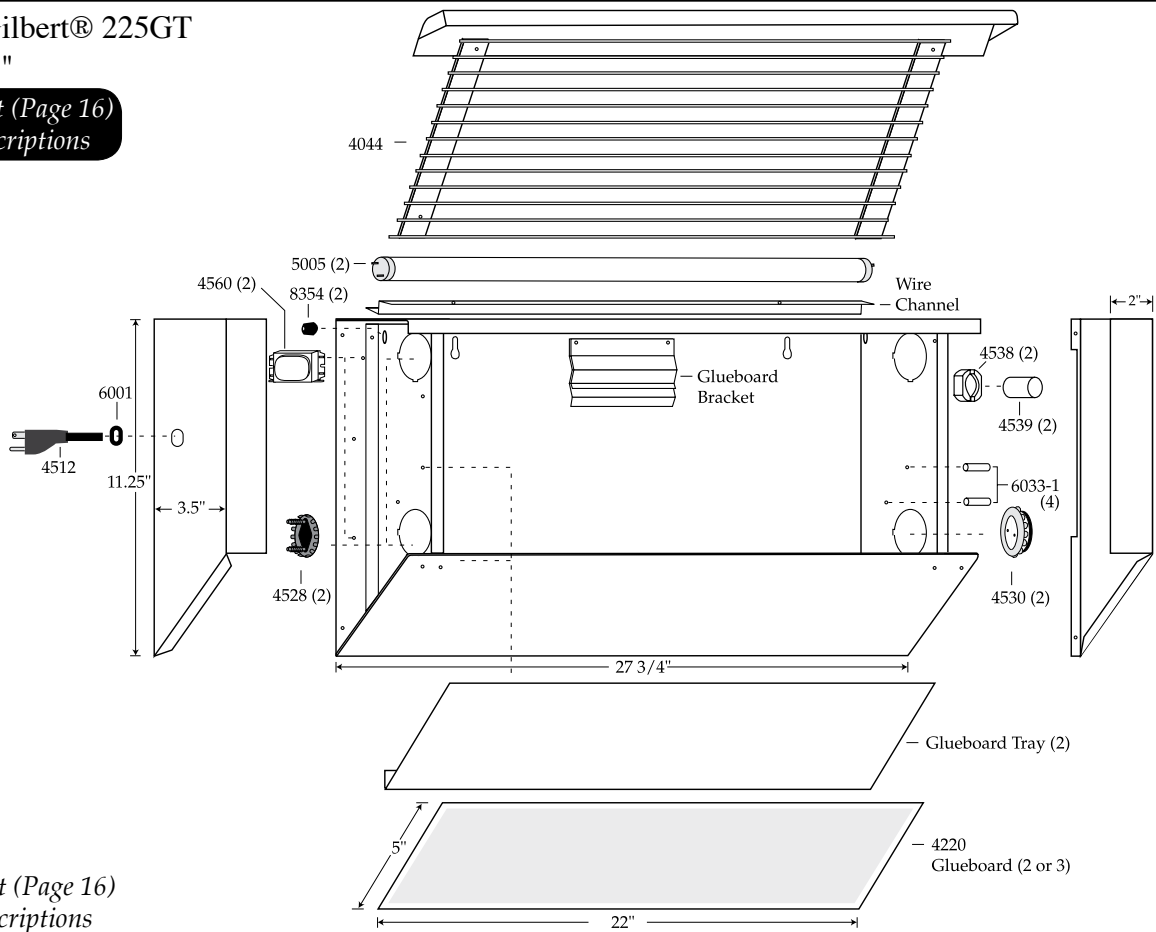
For Most Complete info:
How To Use Flytraps
www.gilbertinc.com

Phone (800) 643-0400

MODEL: Gilbert® 225GT

"Sticky Fox"

See Parts List (Page 16)
For Part Descriptions



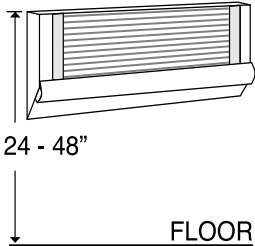
See Parts List (Page 16)
For Part Descriptions

INSTALLATION AND APPLICATION

REMOVE ALL PACKING MATERIALS BEFORE INSTALLATION

PROFESSIONAL GLUEBOARD LIGHT TRAP

Model 225GT Sticky Fox™



INSTALLATION INSTRUCTIONS

1. THIS UNIT IS DESIGNED FOR INDOOR USE ONLY.
2. **FOR HORIZONTAL MOUNTING:** USING A LEVEL AND PENCIL, DRAW A STRAIGHT 17" LINE 24"-48" ABOVE FLOOR. COME IN 1/4" FROM ONE END AND MARK ACROSS THAT LINE. MEASURE 16" FROM THAT POINT AND MAKE A SECOND MARK. MOUNT THE TWO SCREWS (PROVIDED) AT THE CROSSPOINTS, LEAVING 1/2" OF THE SCREW STICKING OUT. SLIDE UNIT ONTO MOUNTING SCREWS AND CONNECT TO AC POWER.

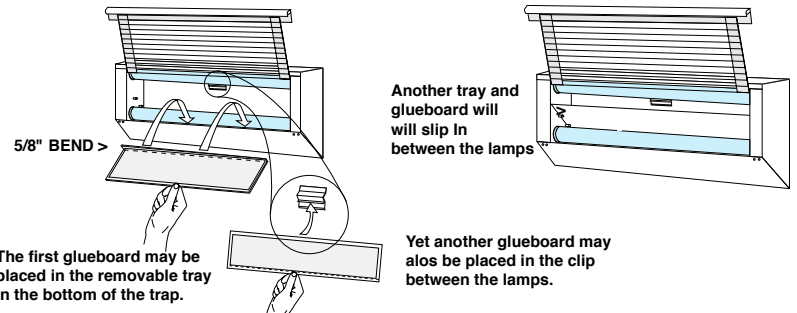
3. **FOR VERTICAL MOUNTING:** USING A LEVEL AND PENCIL, DRAW A STRAIGHT 7" LINE 24"-48" ABOVE FLOOR. COME IN 1/4" FROM ONE END AND MARK ACROSS THAT LINE. MEASURE 5 3/4" FROM THAT POINT AND MAKE A SECOND MARK. MOUNT THE TWO SCREWS (PROVIDED) AT THE CROSSPOINTS, LEAVING 1/2" OF THE SCREW STICKING OUT. SLIDE UNIT ONTO MOUNTING SCREWS AND CONNECT TO AC POWER.

NOTE: IF MOUNTING ON MASONRY, USE A 3/16" BIT (NOT PROVIDED) AND DRILL OUT THE TWO CROSS MARKS AND INSERT THE TWO PLASTIC ANCHORS (PROVIDED) BEFORE MOUNTING THE TWO SCREWS.

When mounted vertically, the clip between the lamps is the best place to place a glueboard. Another in the side tray (a special clip designed to hold this tray and glueboard in place is available).

The Sticky Fox™ has key-hole slots for wall-mounting and knock-outs for under-counter mounting. **Generally, the lower any trap is placed, the more effective it is against flies.** The Fox is normally mounted about 24" above floor. Holds 1-3 large 22 x 5" glueboards.

When mounted horizontally, there are 3 places for glueboards to be placed in the trap. Use any one or all three:

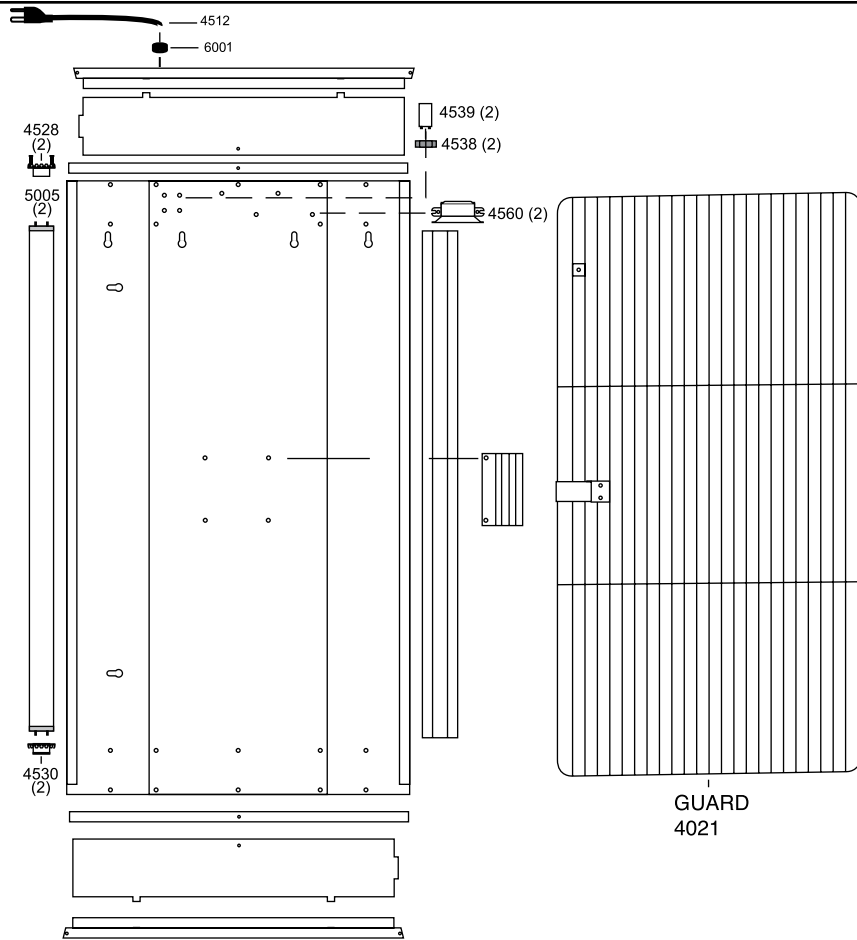


Be sure to bend the 1/2" scored-edge of glueboards up to help retain insects! The first bent glueboard should be wedged into the bottom of the two removable trays (one tray goes in the bottom of the trap, the second will slide-in on pegs between the lamps). Another glueboard may be slipped into holder behind top lamp (lower scored edge will fold).

MODEL: Gilbert® 601GT

"Sticky Lizard"

See Parts List (Page 16)
For Part Descriptions



INSTALLATION AND APPLICATION

REMOVE ALL PACKING MATERIALS BEFORE INSTALLATION

PROFESSIONAL GLUEBOARD LIGHT TRAP

Model 601GT Sticky Lizard

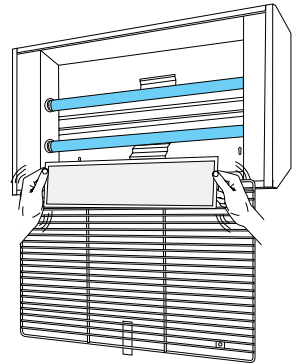
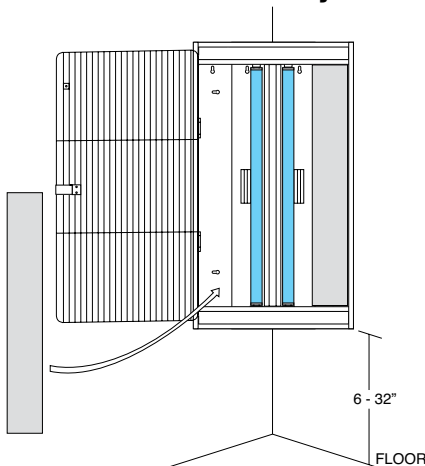
INSTALLATION INSTRUCTIONS

1. **FOR VERTICAL, FLAT-WALL MOUNTING:** USING A LEVEL AND PENCIL, DRAW A STRAIGHT 10" LINE 32"-57" ABOVE FLOOR. COME IN 1/4" FROM ONE END AND MARK ACROSS THAT LINE. MEASURE 8 3/4" FROM THAT POINT AND MAKE A SECOND MARK. MOUNT THE TWO SCREWS (PROVIDED) AT THE CROSSPOINTS, LEAVING 1/2" OF THE SCREW STICKING OUT. SLIDE UNIT ONTO MOUNTING SCREWS AND CONNECT TO AC POWER.

2. **FOR HORIZONTAL, FLAT-WALL MOUNTING:** USING A LEVEL AND PENCIL, DRAW A STRAIGHT 21" LINE 20"-46" ABOVE FLOOR. COME IN 1/4" FROM ONE END AND MARK ACROSS THAT LINE. MEASURE 19 5/8" FROM THAT POINT AND MAKE A SECOND MARK. MOUNT THE TWO SCREWS (PROVIDED) AT THE CROSSPOINTS, LEAVING 1/2" OF THE SCREW STICKING OUT. SLIDE UNIT ONTO MOUNTING SCREWS AND CONNECT TO AC POWER.

3. **FOR VERTICAL, CORNER MOUNTING:** USING A LEVEL AND PENCIL, DRAW A STRAIGHT 9" LINE FROM THE CORNER IN BOTH DIRECTIONS, 32"-57" ABOVE FLOOR. MEASURE 9 13/16" FROM THE CORNER AND MAKE A CROSS MARK ON BOTH LINES. MOUNT THE TWO SCREWS (PROVIDED) AT THE CROSSPOINTS, LEAVING 1/2" OF THE SCREW STICKING OUT. SLIDE UNIT ONTO MOUNTING SCREWS AND CONNECT TO AC POWER.

NOTE: IF MOUNTING ON MASONRY, USE A 3/16" BIT (NOT PROVIDED) AND DRILL OUT THE TWO CROSS MARKS AND INSERT THE TWO PLASTIC ANCHORS (PROVIDED) BEFORE MOUNTING THE TWO SCREWS.



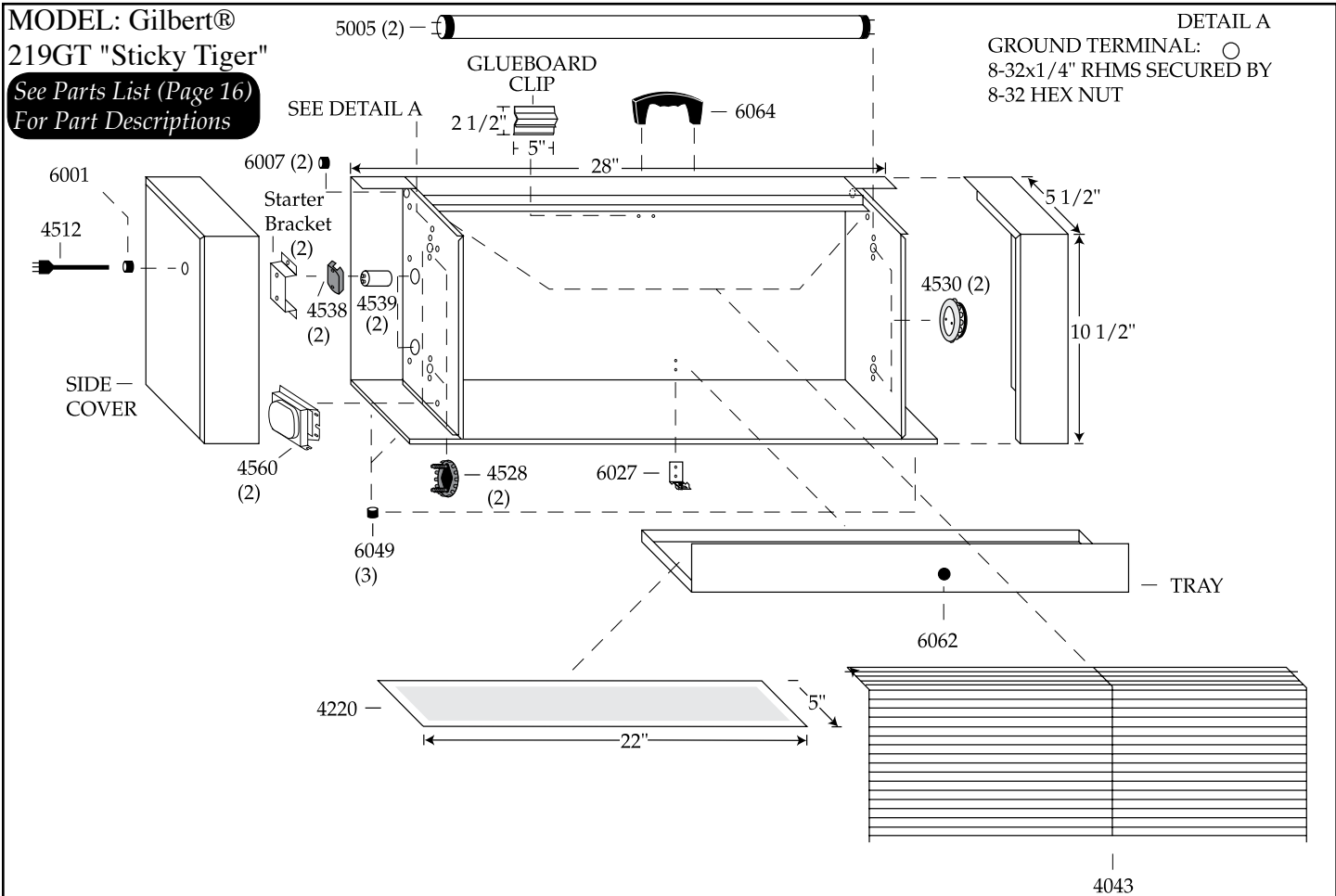
The Sticky Lizard™ is for use indoors to control flies and other flying insects. It has keyhole slots located on the back for horizontal and vertical wall or corner installation and should be mounted 6" to 32" above floor for best results. When vertical, glueboards either slip into standard clips on each side of lamps or are folded, placed into Lizard's wings, and held in place by gravity, guard door and latch. When horizontal, the primary glueboard slips into a Lizard wing or clip in the bottom of the trap. A second (optional) glueboard will slip into the clip above the lamps.

Contrary to misleading sales talk and misused research, flies do not explode in electrocuters. The issue deserves consideration, but sincere scientific consideration, not exaggerated marketing hype.

Gilbert® makes both electrocuters and glueboard flytraps and has long emphasized thoughtful, proper placement, and eliminating flies before they get into highly critical areas.

Join the scientific revolution: www.gilbertinc.com/eltvsgt.htm

**MODEL: Gilbert®
219GT "Sticky Tiger"**
See Parts List (Page 16)
For Part Descriptions

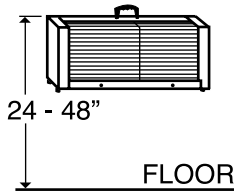


INSTALLATION AND APPLICATION

REMOVE ALL PACKING MATERIALS BEFORE INSTALLATION

PROFESSIONAL GLUEBOARD LIGHT TRAP

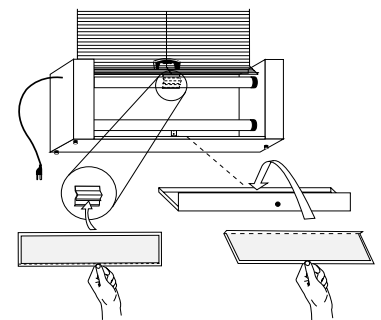
Model 219GT Sticky Tiger™



INSTALLATION INSTRUCTIONS

1. THIS UNIT IS DESIGNED FOR INDOOR USE ONLY.
2. LAMPS SHOULD BE IN A HORIZONTAL POSITION WHEN UNIT IS PROPERLY INSTALLED.
3. USING A LEVEL AND PENCIL, DRAW A STRAIGHT 17" LINE 24"-48" ABOVE FLOOR. COME IN 1/4" FROM ONE END AND MARK ACROSS THAT LINE. MEASURE 16" FROM THAT POINT AND MAKE A SECOND MARK. MOUNT THE TWO SCREWS (PROVIDED) AT THE CROSSPOINTS, LEAVING 1/2" OF THE SCREW STICKING OUT. SLIDE UNIT ONTO MOUNTING SCREWS AND CONNECT TO AC POWER.
NOTE: IF MOUNTING ON MASONRY, USE A 3/16" BIT (NOT PROVIDED) AND DRILL OUT THE TWO CROSS MARKS AND INSERT THE TWO PLASTIC ANCHORS (PROVIDED) BEFORE MOUNTING THE TWO SCREWS.
4. USE AS FREE-STANDING PORTABLE (HANDLE AND 3 MAR-RESISTANT FEET).

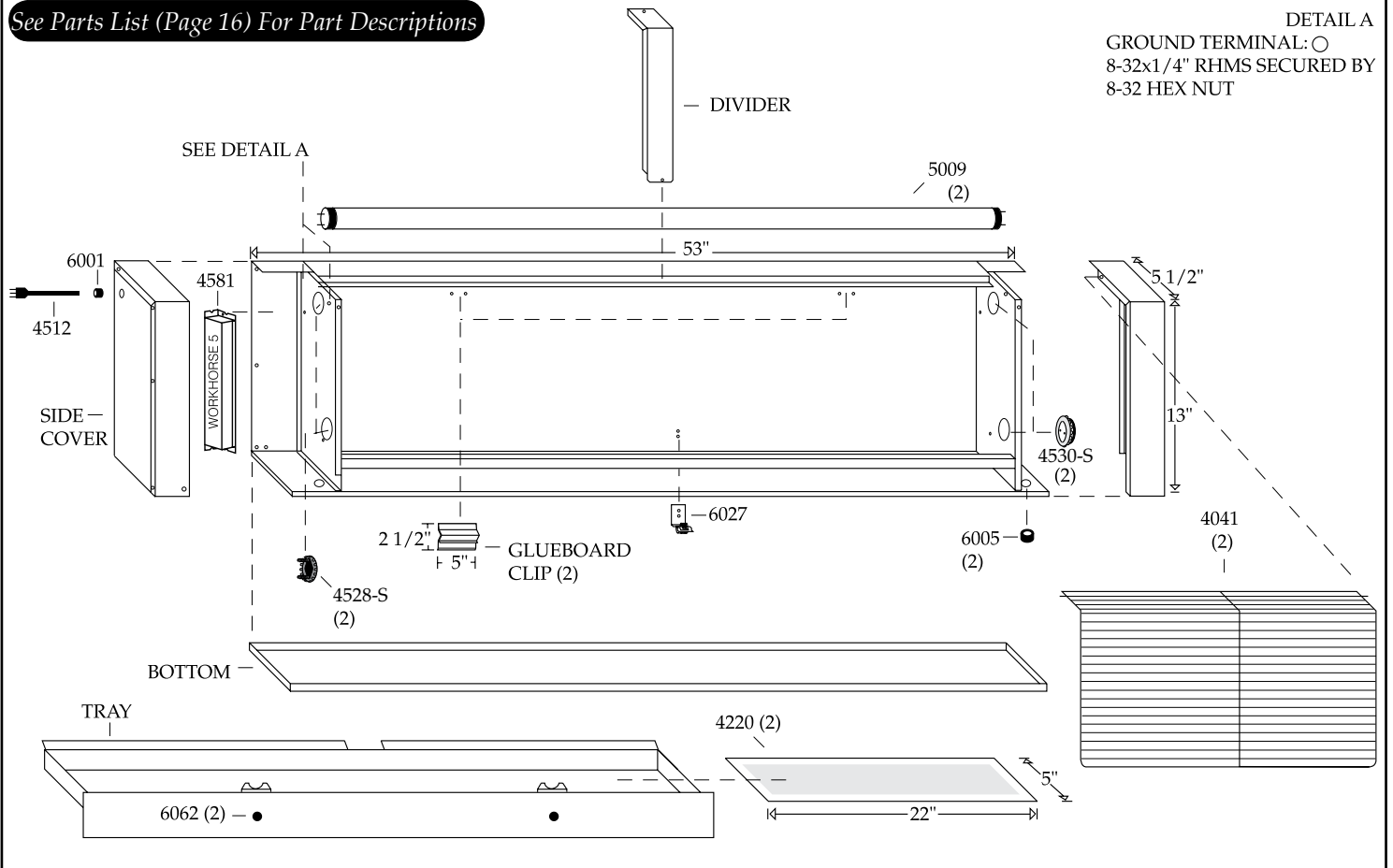
The 219GT Sticky Tiger™ has key hole slots located on back for wall installation (usually mounted approximately 24" above floor). The Tiger may also be used as a free-standing portable (see Guerrilla portable use instructions at left). A 2nd (optional) glueboard can be wedged into holder behind top lamp and folded at dotted-line to help retain glue.



Gilbert® has had superior trap designs since Don Gilbert built the first, truly professional flytrap in 1967. Yet, he maintained, it was not his trap designs, but his philosophy that was most responsible for his success. Don (and his distributors) were so successful at it, Gilbert® was granted a registered trademark.

MODEL: Gilbert® 747GT "Sticky Bear"

See Parts List (Page 16) For Part Descriptions



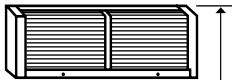
DETAIL A
GROUND TERMINAL: ○
8-32x1/4" RHMS SECURED BY
8-32 HEX NUT

INSTALLATION AND APPLICATION

REMOVE ALL PACKING MATERIALS BEFORE INSTALLATION

PROFESSIONAL GLUEBOARD LIGHT TRAP

Model 747GT Sticky Bear™

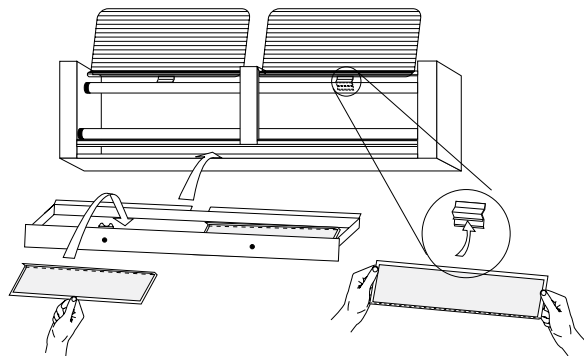


INSTALLATION INSTRUCTIONS

1. THIS UNIT IS DESIGNED FOR INDOOR USE ONLY.
2. LAMPS SHOULD BE IN A HORIZONTAL POSITION WHEN UNIT IS PROPERLY INSTALLED.
3. USING A LEVEL AND PENCIL, DRAW A STRAIGHT 33" LINE APPROX. 3' ABOVE FLOOR. COME IN 1/4" FROM ONE END AND MARK ACROSS THAT LINE. MEASURE 32" FROM THAT POINT AND MAKE A SECOND MARK. MOUNT THE TWO SCREWS (PROVIDED) AT THE CROSSPOINTS, LEAVING 1/2" OF THE SCREW STICKING OUT. SLIDE UNIT ONTO MOUNTING SCREWS AND CONNECT TO AC POWER.

NOTE: IF MOUNTING ON MASONRY, USE A 3/16" BIT (NOT PROVIDED) AND DRILL OUT THE TWO CROSS MARKS AND INSERT THE TWO PLASTIC ANCHORS (PROVIDED) BEFORE MOUNTING THE TWO SCREWS.

The 747GT Sticky Bear™ features superior effectiveness for control of flies and other flying insects. The Bear has key hole slots located on back for wall installation. **Generally speaking, the lower any trap is placed, the more effective it is against flies.** The Bear is normally mounted 24" above floor. Two glueboards are normally placed in the catch tray of the trap. 2 (optional) glueboards can be wedged into holder behind top lamp and folded at dotted-line to help retain glue.



Don Gilbert's idea of flytraps, as only one tool in his bag, to be applied with a sincere desire to help customers in any way he could, was simple and honest.

Today, Don's son endeavors to carry that philosophy forward, leading the way to the truly professional, scientific use of flytraps

TROUBLESHOOTING GUIDE

**All repairs must be performed by qualified personnel. Repair can be accomplished with a few simple tools.
Do not attempt any major repair without consulting the factory.**

PROBLEM	PROBABLE CAUSE	CORRECTION
Lamp Flickers	<ol style="list-style-type: none"> 1. Not grounded. 2. Bad Starter. 	<ol style="list-style-type: none"> 1. Remove lamp from its socket. Reverse ends and replace in socket. (Turn lamp upside down). 2. Replace Starter (Models 1998GT, 1999GT, 2000GT, 2002GT, 2012GT, 219GT, 220, 225GT & 601TJ).
No lights or voltage to the grid.	<ol style="list-style-type: none"> 1. Not plugged in to a live receptacle. 2. Loose connections. 3. Faulty line cord. 4. Interlock switch. 	<ol style="list-style-type: none"> 1. Check fuse or circuit breaker. 2. Check connections from line cord. 3. Repair or replace. 4. Check actuator for proper closure on guard or tray.
Lights but no voltage to grid.	<ol style="list-style-type: none"> 1. Shorted grid wires. 2. Loose connection. 3. Faulty transformer. 	<ol style="list-style-type: none"> 1. Disconnect power. Examine grid wires to verify that no two wires are touching each other. Be sure there is sufficient gap between two wires. Bend back into alignment. 2. Disconnect power. (a) Make sure high-voltage leads are connected to the grid lugs. (b) Remove the unit's cover by drilling out rivets (on Model 601C see specific instructions for removing inner-body on page 4). Check all connections to and from transformer then retest. 3. Replace (See schematic).
No lights, but voltage to grid (if one).	<ol style="list-style-type: none"> 1. Temp. under 70 degrees F. 2. Lamps not seated properly. 3. Cracked lamp socket. 4. Loose connection. 5. Burned out lamp(s). 6. Faulty ballast. 7. Bad Starter 	<ol style="list-style-type: none"> 1. Arc the grid with screwdriver. 2. Check all sockets for proper seating and alignment. 3. Replace. 4. (a) Remove cover by drilling out rivets (on Model 601C see specific instructions for removing inner-body on page 4). Check all connections to and from ballast. 5. Replace. 6. Replace ballast (see Schematic). 7. Replace Starter (1998GT, 1999GT, 219GT, 601GT, 220, 225GT, 601TJ, 2000GT, 2002GT, 2012GT).
Intermittent or continuous arcing between grid wires.	<ol style="list-style-type: none"> 1. Gap between grid wires is not sufficient. 2. Foreign material stuck on grid or insulator(s). 3. Excessive line voltage. 4. Cracked insulator. 5. Moisture. 	<ol style="list-style-type: none"> 1. Unplug unit and bend grid wires into alignment. 2. Remove any and all material from grid or insulator(s). 3. Unit specifically designed to operate on either 120 volt, 60HZ, or 230volt, 50HZ. Check line voltage. 4. Check for hairline cracks or breaks. Replace if cracked. 5. Allow unit to operate until dry. Intermittent arcing will continue until completely dry.

PARTS LIST - 120V, 60HZ (See Reference Drawings For Parts Locations)

MODEL	711	601T	601TJ	601E	220	607	705	605	2000GT	2002GT	1999GT/ 2012GT	2004GT	225GT	601GT	219GT	747GT
TRANSFORMER	4604	4604	4604	4604	4604	4604	4604	4604								
BALLAST	4581	4581	4560	4581	4560	4581	4581	4581	4560	4560	4560	4560	4560	4560	4560	4581
LAMP	5009	5009	5005	5009	5005	5009	5009	5009	5005	5005	5003	5005	5005	5005	5005	5009
SWITCH	4614	4614	4614	4614	4614	4614	4614	4614								
INSULATOR	4049	4048	4048	4048	4049	4048	4049	4049								
LAMPHOLDER	4528-S	4526	4524	4526	4528	4528-S	4528-S	4528-S	4524	4524	4524	4524	4528	4528	4528	4528-S
LAMPHOLDER	4530-S	4536	4536		4530	4530-S	4530-S	4530-S					4530	4530	4530	4530-S
GRID	4010	4005	4005	4005	4010x	4005	4010	4010								
GUARD	4041	4031	4021	4033	4041	4037	4041	4039					4044	4021	4043	4041
DIFFUSER				4066												
DEFLECTOR		4064	4064													
CORD	4512	4512	4512	4512	4512	4512	4512	4512	4515	4515	4515	4515	4512	4512	4512	4512
HANDLE					6064											6064
FEET					6049											6049
KNOB	6062	6062	6062		6062	6062	6062	6062							6062	6062
STARTER			4539		4539				4539	4539	4539	4539	4539	4539	4539	
TRAY PEG												6033-1	6033-1			
GLUEBOARD									4219	4220	4219	4220	4220	4220	4220	4220