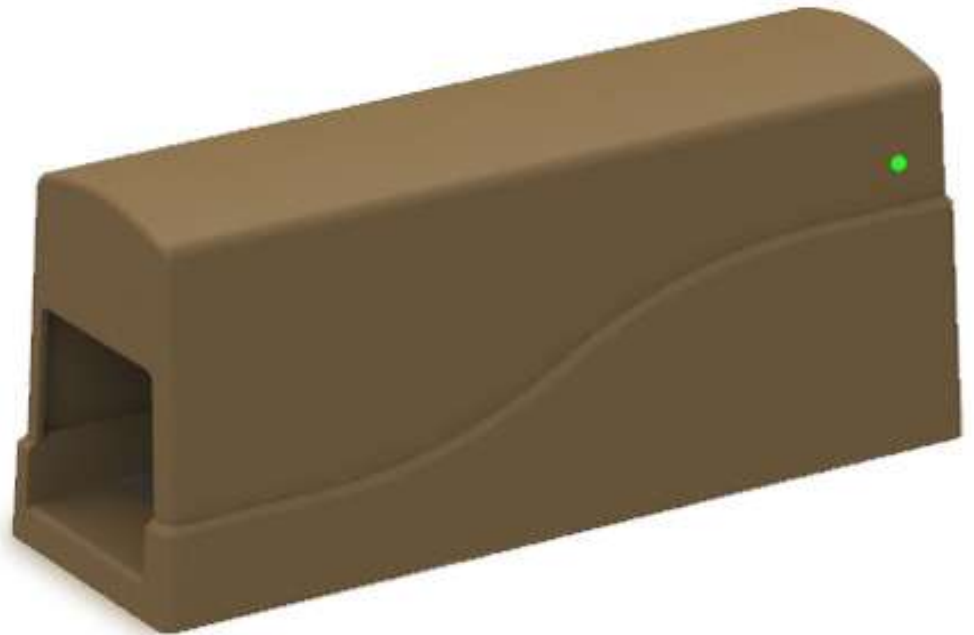


RODENT VERMINATOR

Piège électronique pour rongeurs | Electronic Rodent Trap • Trampa electrónico para roedor



Product Features

November 2011

RODENT TERMINATOR

Piège électronique pour rongeurs | Electronic Rodent Trap • Trampa electrónico para roedor



The RodenTerminator is a revolutionary new electronic rodent trap which will put an end to your rodent problems forever!

Rodents are a HUGE problem whether they are in your home or business. They are more than just a pest - they carry disease and can ruin food, property and your reputation. They breed like crazy and can adapt to almost any environment or food source. If you have seen one - there are several more you haven't seen yet!

The answer is the RodenTerminator. Put it anywhere - inside or outside. It's inconspicuous and discrete so it can go anywhere it's needed. It remains on standby for months and will kill dozens of rodents on a set of batteries.

The RodenTerminator uses a heart-stopping electric shock to INSTANTLY KILL the rodent. No poison or sticky mess. No blood or gore. It is safe, humane and very easy to clean.

Find out why the RodenTerminator is being described by many people as the best rodent trap in the world!

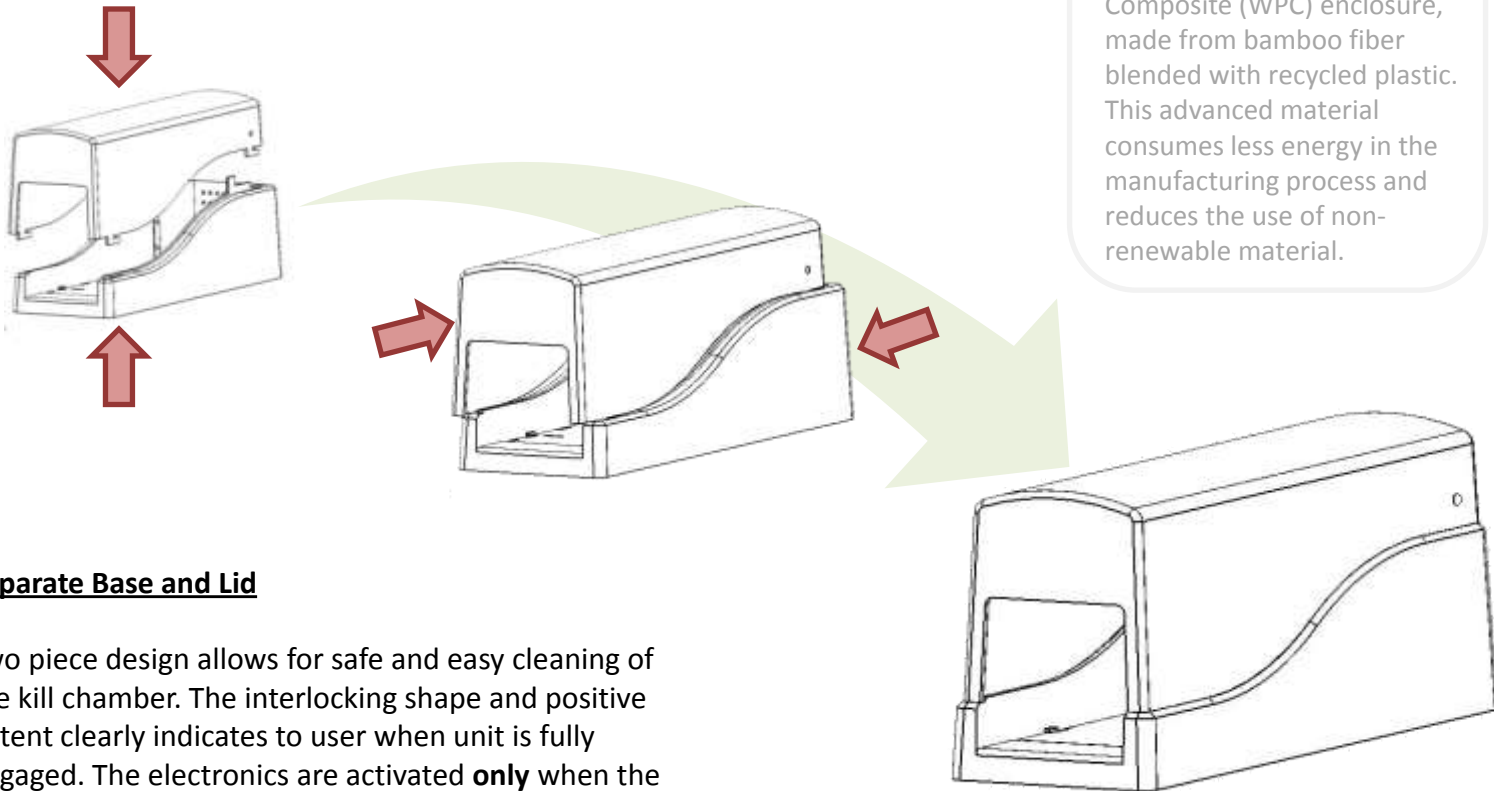




MECHANICAL ASSEMBLY FEATURES



The RodenTerminator features a Wood Plastic Composite (WPC) enclosure, made from bamboo fiber blended with recycled plastic. This advanced material consumes less energy in the manufacturing process and reduces the use of non-renewable material.



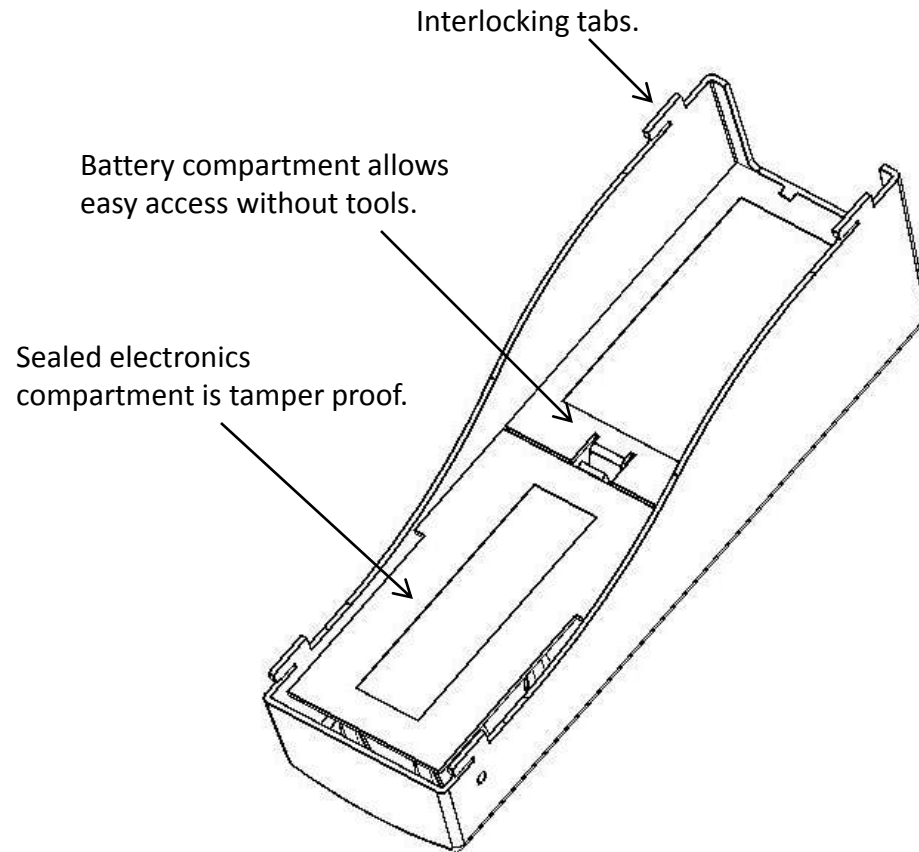
Separate Base and Lid

Two piece design allows for safe and easy cleaning of the kill chamber. The interlocking shape and positive detent clearly indicates to user when unit is fully engaged. The electronics are activated **only** when the lid and base are fully engaged and locked together.

Patented Design!

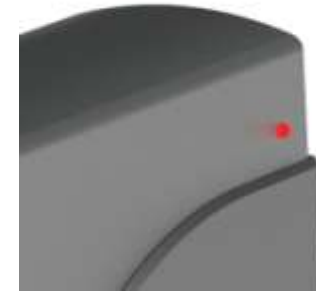


DESIGN FEATURES OF LID



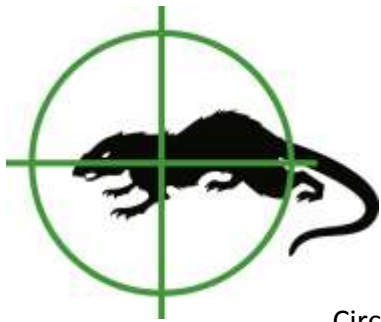
Status indicator lights are visible from all angles.

Side View



Top View





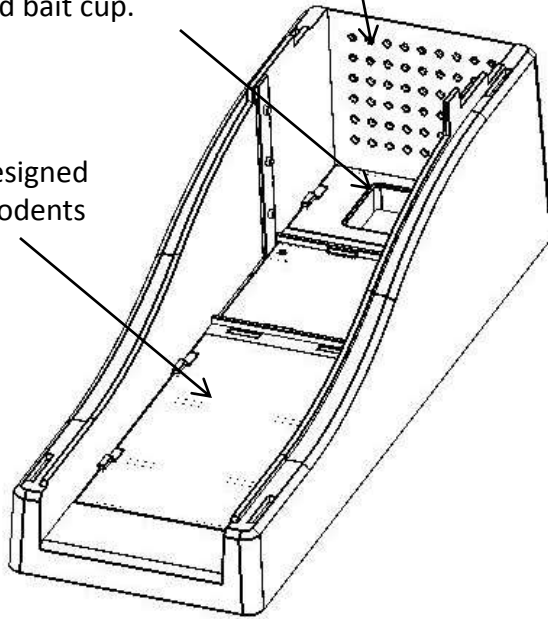
DESIGN FEATURES OF BASE



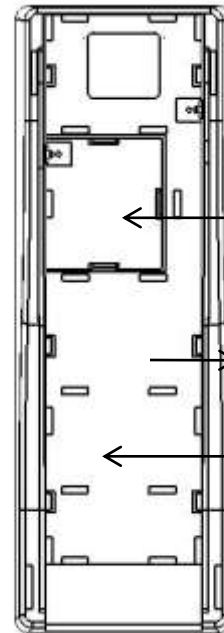
Circular holes allow aroma of the bait to escape, while preventing rodent access.

Recess can be filled with bait directly or use the specially formulated bait cup.

Kill Plate surface designed to be effective on rodents of **all** sizes.



Our rodent bait comes in a sealed, disposable cup made with recycled plastic and has been specially formulated to ensure that rodents are successfully attracted into the chamber.



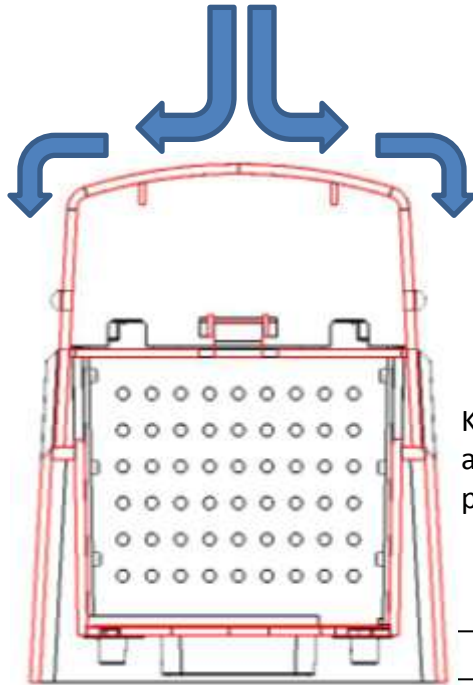
Kill plate anode.

Kill plate cathode.

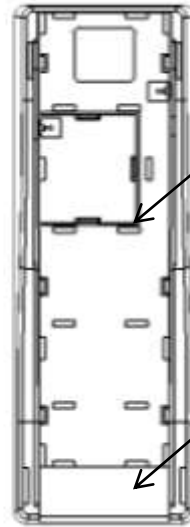
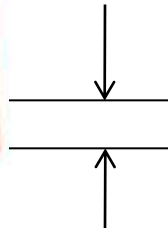


WEATHER RESISTANCE FEATURES

Rain is kept outside.



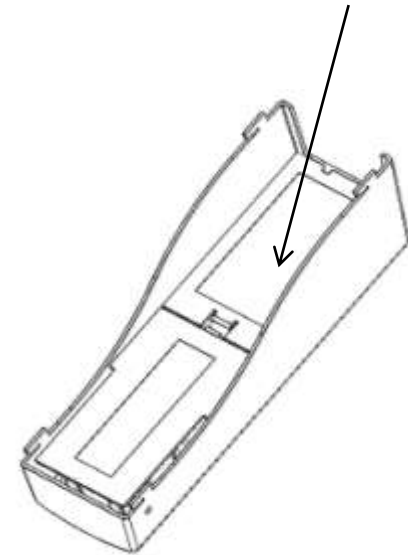
Kill plate is elevated above the ground to prevent shorting.



Drain holes, prevent water from shorting out kill plate.

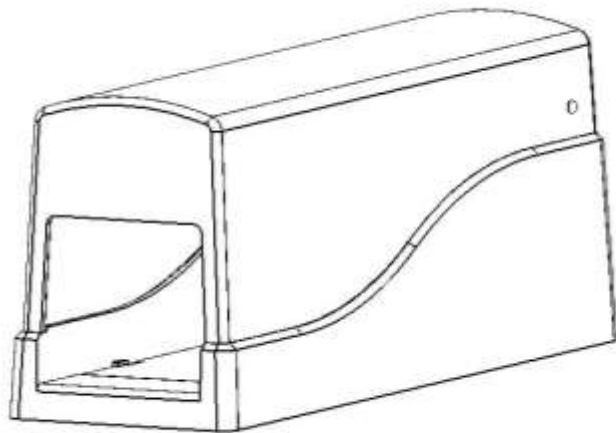
Ramped entrance, sheds water to outside.

Electronics and batteries are positioned under the top half, reducing exposure to weather.





ELECTRICAL SPECIFICATIONS



Dimensions:

316 (L) x 109 (W) x 135 (H)

12 ½" (L) x 4 ¼" (W) x 5 ¼" (H)

Weight: 1kg (2.2 lbs.)

- Batteries: 4 D size alkaline cells
- Battery life:
 - Approximately 30 Kills
 - up to 6 months stand-by
- High voltage electric shock instantly kills
- Kill Cycle: 90 seconds to ensure the kill
- Tri-color Status LED:
 - **Green** indicates trap is armed
 - **Yellow** and **Red** indicates a dirty kill plate
 - **Red** indicates batteries are low during arming and blinks when a kill has been made.
- Safety-Off: Snap acting switch deactivates trap when opened.
- RoHS, CE, FCC compliant