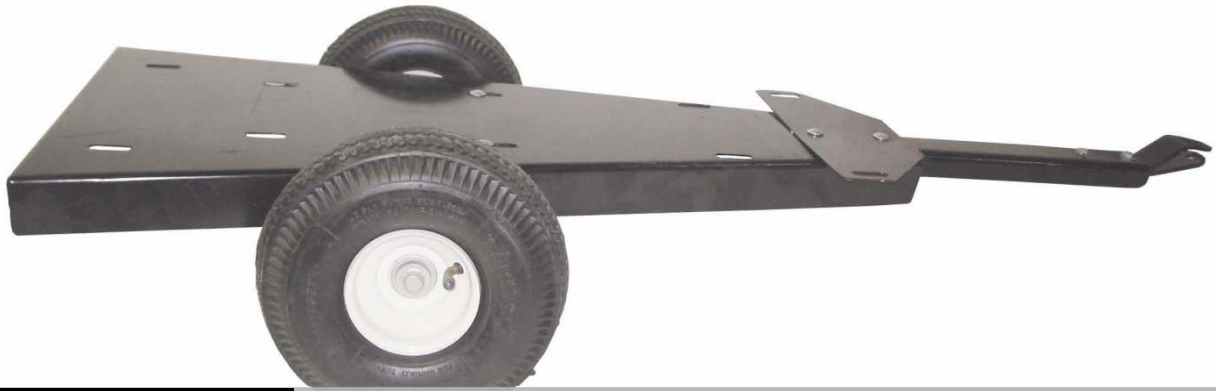


123 Industrial Loop Road  
Paynesville, MN 56362  
Phone: 1-800-864-1649  
www.master-mfg.com



**MASTER  
MANUFACTURING**

**15 & 25 GALLON TRAILER KIT**



Part Number SSFK-1525 | Rev 1 Oct. 2008

## INTRODUCTION

The purpose of this manual is to assist you in the assembly, operation and maintenance of your sprayer or accessories. Please read through this manual completely too fully understand how to operate and maintain your equipment. This product has been manufactured to provide years of dependable service; proper operation and maintenance will ensure its dependability. Keep your manual in a safe, convenient place for future reference. Always mention the model and part number in any correspondence.

## ASSEMBLY

The Lawn sprayer trailer kit is designed to fit many applications. It has been specifically designed to attach easily to other Master Manufacturing products. The following instructions are intended for the attachment of a Master Manufacturing 15 or 25 gallon spot sprayer to the trailer kit. Please refer to the trailer figure in this manual for reference to the following assembly instructions.

### Trailer Assembly

- 1.) Locate trailer frame (PN 31-100116) and place frame upside down on smooth surface.
- 2.) Locate the trailer axel (PN 32-100019) and position it over the two slotted holes in the center of the frame. Place two carriage bolts and nuts (PN 33-100112 & PN 33-100113) through the frame and axel. Tighten securely ensuring trailer axel is square to the frame. Ensure carriage bolts are inserted from the top of the frame through to the bottom; otherwise bolts will interfere with tank mounting.
- 3.) Turn the frame over and place two wheels (PN TWA410/350-4) over the axel. Using a hammer, position the push nuts (PN PW-625019-50H) over the axel and tap lightly until push nut is seated firmly.
- 4.) Attach the two boom mounting brackets (PN 31-100119) to the back of the frame using four bolts (PN 33-100116) and nuts (PN 33-100113). Tighten securely.
- 5.) Determine if the trailer frame is going to be mounted to a 15 gallon tank or a 25 gallon tank. **The front tank mount is only required for 25 gallon tanks.**
- 6.) Place the front tank mount (PN 31-100115) if required over the frame holes located at the front of the trailer. Using two Carriage bolts and nuts (PN 33-100112 & PN 33-100113), bolt the tank mount, frame and tongue (PN 31-100114) together. Tighten bolts securely.
- 7.) Using two bolts and nuts (PN 33-100116 and PN 33-100113), bolt the front hitch plates (PN 31-100121 and PN 31-100138) to the front of the tongue. Tighten bolts securely. The top hitch plate can be mounted on the top or bottom to allow for height adjustment to match garden tractor.

### Tank mounting

- 1.) Position sprayer tank over holes in trailer frame. Using the four bolts and washers (PN 33-100114 and PN 33-100115), thread all four bolts by hand into the tank. Position tank squarely on frame and tighten bolts securely.

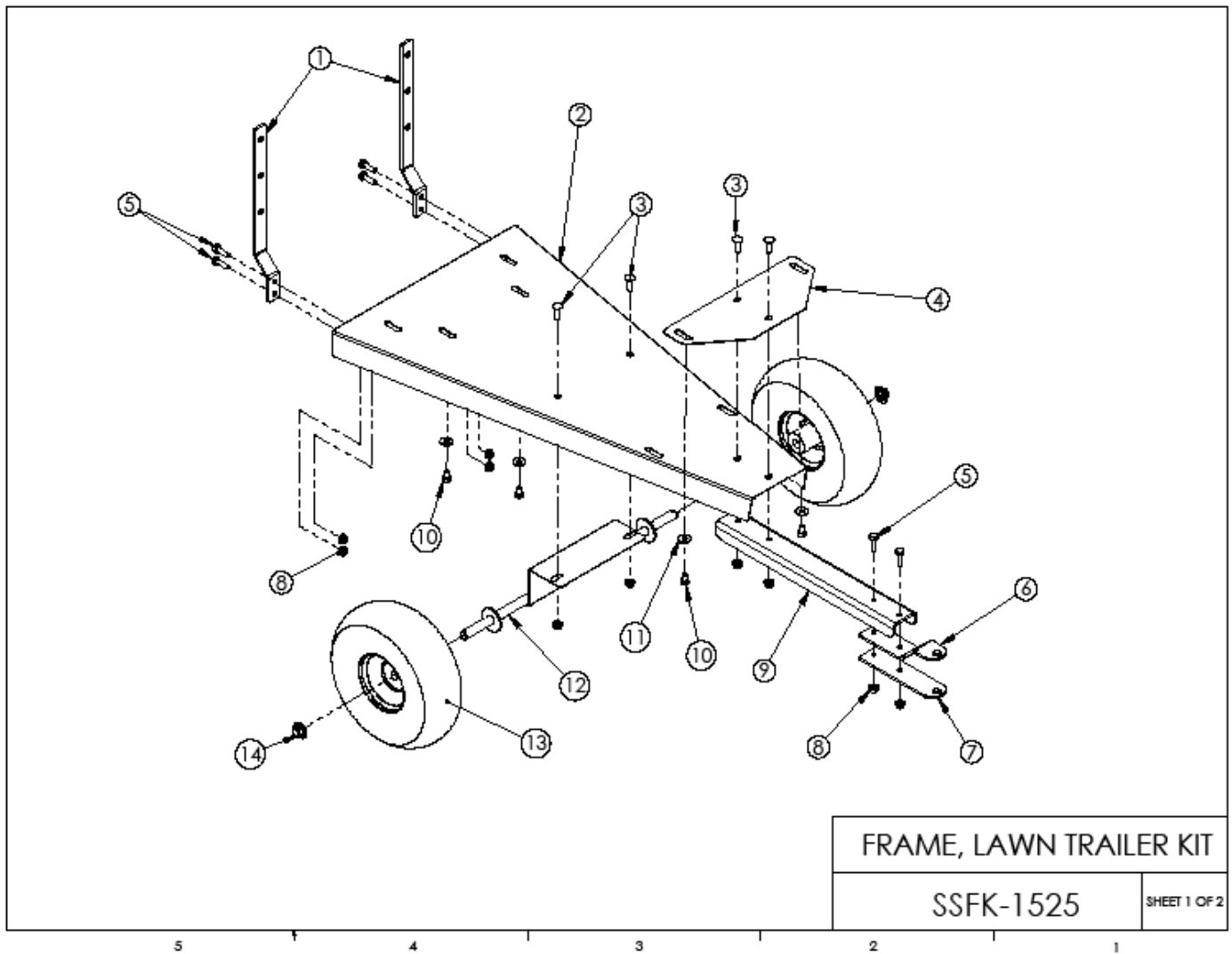
### Boom Mounting

- 1.) Following directions provided with boom manufacturer, mount boom to boom brackets on trailer.

## WARRANTY PARTS SERVICE

Products sold shall be warranted from defects in workmanship and material when used within the service and scope for which they were designed for a period of one year from date of purchase. Contact your distributor/ dealer for replacements parts or warranty work. Please have your original sales receipt or other proof of purchase date when requesting any warranty work.

To ensure the correct parts are acquired always provide the model number of your sprayer/attachment and the part number and description obtained from the illustrated parts breakdown in this manual.



**Parts List Figure SSFK-1525**

Item #	Part Number	Qty	Description
1	31-100119	2	Boom Mount
2	31-100116	1	Frame
3	33-100112	4	Carriage bolt, 5/16-18 x 1"
4	31-100115	1	Front tank mount(For 25 gallon tank)
5	33-100116	6	Bolt, 5/16-18 x 1"
6	31-100121	1	Top Hitch plate
7	31-100138	1	Bottom hitch plate
8	33-100113	10	Nut, serrated, 5/16"
9	31-100114	1	Tongue, 15&25 gallon sprayer
10	33-100114	4	Bolt, 5/16-18 x 1"
11	33-100115	4	Washer, 5/16
12	32-100019	1	Axel, 15&25 gallon sprayer
13	TWA410/350-4	2	Tire Assy., 10"
14	PW-625019-50H	2	Push nut