



Birdwire™

- WHERE TO USE** Long, exposed ledges, parapets, signs, beams, pipes
- TARGET BIRD** Pigeon
- BIRD PRESSURE** Light - Medium
- MATERIAL** Stainless Steel
- INSTALLATION** Stainless steel, nylon coated wire is attached to stainless steel posts and tensioned using springs
- INSTALLATION LEVEL** Involved



Birdwire, mounted with Glue-on-Bases screwed into this metal structure repels pigeons.



Two rows of Birdwire on this parapet cap provides low visibility protection from pigeons and large birds.



Railing clamps are attractive and easy to use on pipes and hand rails.

Very Discreet

The Birdwire system is one of the least visible of all ledge products, and is frequently used on high-visibility ledges where aesthetics are important.

How it Works

Nylon-coated, spring-tensioned stainless steel wire is attached to stainless steel posts at differing heights and intervals. The posts are secured to masonry using nylon anchor rivets (requires drilling into the surface) or glue-on bases.

Variety of Options

The posts are available in various sizes and many different brackets and clamps allow installation on otherwise hard-to-protect surfaces like sprinkler pipes, rain gutters and I-beams. Stainless steel split pins can be used to install the system inside window reveals.

Totally Humane

Harmless to birds and humans alike.

Special Attachments

These attachments make it possible to install a Birdwire system anywhere.

Pipe Clamp



Gutter Clamp



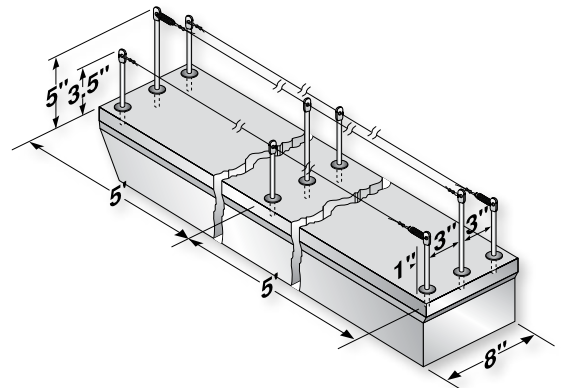
Beam Clamp



Spacing Guidelines

Rows of wire are three inches or less apart, and installed at five foot intervals. Posts should alternate in height to increase the effectiveness of the system.

Springs are installed every ten feet (every other post) to ensure the correct tension.



www.birdbarrier.com/videos

Installation Videos
Learn how to install
Bird Barrier products
right in your office.





Birdwire™



Birdwire

Seven-stranded, stainless steel wire, coated with U.V.-stabilized clear nylon. Diameter is .7mm with a breaking strength of 100 lbs.

Birdwire (250 ft.)
Birdwire (500 ft.)
Birdwire (1,000 ft.)

BW-W010 637528
BW-W020 638203
BW-W030 638204

See Drill Bits on pg. 22



Birdwire Posts

Made from polished 316 grade stainless steel. Flattened heads with a coined hole prevent chaffing of the Birdwire. The ends of the posts are chamfered for easy installation into the anchor rivets. For use with 1" Anchor Rivets. When drilling into masonry and using the 1" Anchor Rivet use these posts:

4.5 in. Posts (25)	BW-P0452	654746
4.5 in. Posts (100)	BW-P045	638188
6 in. Posts (25)	BW-P0602	654748
6 in. Posts (100)	BW-P060	638189



For use with Glue-on Bases

When drilling is not an option, use Glue-on Base and these posts:

3.5 in. Posts (25)	BW-P0352	654745
3.5 in. Posts (100)	BW-P035	639844
5 in. Posts (25)	BW-P0502	654747
5 in. Posts (100)	BW-P050	639845

1" Anchor Rivet

Low-profile nylon anchor provides a secure installation for the posts when drilling into masonry. Color is gray. 100/bag

Anchor Rivet - 1 in. (100)	NI-AR10	638185
6.5mm Drill Bit	TB-S065	639878



Birdwire Glue-on Base

Base can be glued or screwed onto properly prepared metal or wood. Set screw secures post. Color is gray. Other colors may be available by special order; call for information. Ten per bag.

Glue-On Bases (10)	BW-B100	638200
Bond 10.2 oz. (ea.)	HA-BB03	776954
Super Bond Tube (2 part)	HA-BS01	639852

*One Bond tube installs 125 bases, see page 22 for more details



Birdwire Crimp

Thread Birdwire through nickel-plated copper crimp to attach it to the bird posts or split pins. 100 crimps per bag.

Birdwire Crimps (100)	BW-C000	638207
-----------------------	---------	--------



Springs

Made from 316 grade stainless steel with one loop slightly open to facilitate attachment to the bird post or split pin. Available in standard or less conspicuous micro-spring. 100 springs per bag.

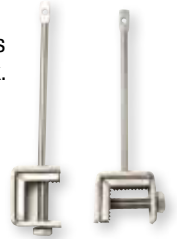
Standard Spring (100)	BW-SS00	638187
Micro Spring (100)	BW-SM00	637917



Beam and Gutter Clamps

Install Birdwire posts to an I-beam or other horizontal steel surface (up to 3/4" thick). All stainless steel. Install Birdwire posts to the gutter bead, metal roof or other vertical surfaces (up to 3/4"). All stainless steel. Posts are 3.5 in. tall. 10/pack.

Beam Clamp (10)	BW-BC00	645056
Gutter Clamp (10)	BW-GC00	638201



Ridge Brackets

Special brackets are available for both triangular and half-round ridge roof tiles. The ridge bracket can be screwed in place, while the half-round bracket has two adjustable locking flanges.

Bracket - 3 Posts (ea.)	BW-RB31	
Bracket - 5 Posts (ea.)	BW-RB51	
Bracket Round-2 Posts (ea.)	BW-RB30	



Railing Clamps

Birdwire posts are welded to adjustable, stainless steel clamp for attachment to handrails or pipes. Six sizes are stocked; other configurations and larger clamps available by special order. Ten clamps per pack.

1 in. clamp - 1 Post (10)	BW-RC11	652258
2 in. clamp - 1 Post (10)	BW-RC21	
3 in. clamp - 1 Post (10)	BW-RC31	645059
4 in. clamp - 1 Post (10)	BW-RC41	
4 in. clamp - 2 Posts (10)	BW-RC42	
6 in. clamp - 2 Posts (10)	BW-RC62	

Pipe Diam.

3/4" - 1-1/4"
1" - 2-1/2"
2" - 3-1/2"
3-1/4" - 4-1/4"
3-1/4" - 4-1/4"
4-3/4" - 6-1/4"



Birdwire Crimp Tool

Specially designed indent crimping tool for attaching crimps to the Birdwire. This tool also has wire snips.

Birdwire Crimping Tool (ea.)	T0-BW10	638208
------------------------------	---------	--------

