



911 INSECT LIGHT TRAP

Instruction Manual

IMPORTANT: READ AND SAVE THESE SAFETY INSTRUCTIONS

CAUTION: TO REDUCE THE RISK OF FIRE, ELECTRIC SHOCK OR PERSONAL INJURY, THE FOLLOWING PRECAUTIONS SHOULD BE TAKEN

Electric Data: 120V, 60Hz, for one 36 watt H shaped fluorescent black lamp

WARNING

This product is intended for indoor use only. To avoid risk of fire or electrical shock, do not use where it may be exposed to water.

Keep out of reach of children.

This product is equipped with an appropriate 3-conductor cord (use extension cord marked SJW-A, SJEW-A, or SJTW-A only) and a 3-prong grounding type plug to fit the proper grounding type receptacle.

To reduce the risk of an electric shock, the plug must be plugged into an appropriate outlet that is properly installed and grounded. Consult a qualified electrician or serviceman if the grounding instructions are not completely understood, or if doubt as to whether proper grounding exists.

Do not operate if cord or plug is damaged. Replace or repair damaged cords.

Do not abuse the cord - Never carry the product by the cord or yank the cord to disconnect it from the receptacle. Keep the cord away from heat, oil and sharp edges.

Use only 3-wire extension cords which have 3-prong grounding type plugs and 3-pole receptacles which accept the products plug. The electrical rating of the extension cord must be as great as or greater than the electrical rating of the product.

Disconnect unit before servicing, changing lamps or cleaning by removing plug from electrical outlet.

Do not immerse or soak with water or other liquids.

Do not drop or handle roughly.

Do not place or mount unit where it will be subjected to extreme heat.

Lamps are manufactured with breakable glass unless special lamps are specifically ordered.

CAUTION

This product is intended for indoor use only. To avoid risk of fire or electric shock, do not use where it may be exposed to water or direct sunlight, including roofed, but open porches.

Use only extension cords which have plugs and receptacles which accept the product's plug. Replace or repair damaged cords.

The electrical rating of the extension cord must be as great as the electrical rating of the product.

Don't abuse cord-never carry product by cord or yank it to disconnect from receptacle. Keep cord from heat, oil, and sharp edges.

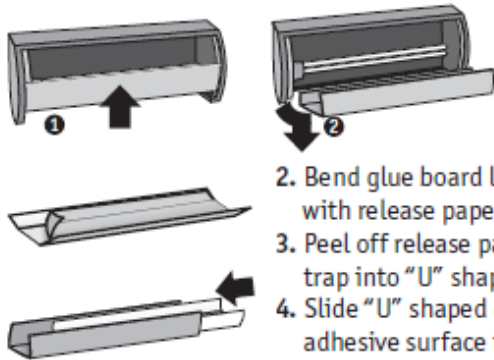
Disconnect the product from the power supply when not in use, before servicing, when changing bulbs, cleaning and similar actions.

Do not insert foreign objects into this product.

Operation, Location and Maintenance

- During the insect season, allow your unit to operate 24 hours per day. This will allow the insect light trap to maintain its peak efficiency.
- Install unit in food preparation areas.
- Avoid installing in areas with strong air currents.
- In order to maintain maximum attraction efficiency, the 36 watt H shaped fluorescent black lamp should be replaced annually with original manufacturer's lamps.
- Replace the glue board on a regular basis or as required.
- Clean unit with a damp cloth and mild detergent, caustics and abrasive cleansers should not be used.

To Insert/Replace Glue Board



1. Remove glue board holder from front of light, which is attached at top by ❶ pushing holder upwards and then ❷ sliding holder down.
2. Bend glue board lengthwise along perforated lines as illustrated with release paper on.
3. Peel off release paper so adhesive surface is exposed and form trap into "U" shape.
4. Slide "U" shaped glue trap into position in holder with adhesive surface facing each other.
5. Replace holder with glue board to its original position on light by sliding holder inside channels until holder reaches top position, then tilt holder slightly forward to lock.

To Replace Bulb

- Unplug unit from electrical outlet
- Remove Glue board holder (*see instructions for replacing glue board*)



- Remove the bulb from the socket by pulling it towards the right
- Gently pull out right end of bulb from clip

Dispose of used bulb in accordance with all applicable federal, state and local regulations.

- Push the right end of the new bulb through the clip
- Push the new bulb into the socket on the left
- Replace glue board holder
- Plug 911 unit back into the electrical outlet.

Mounting

For normal horizontal wall mounting, draw a level line at the appropriate height and install 2 wood screws 9" apart from center to center.

Tighten up screws leaving a minimum of 1/16" head clearance so the 2 key slots in the back of the unit can fit over the screws and drop into place.

Additional replacement glue boards and bulbs are available through your distributor.