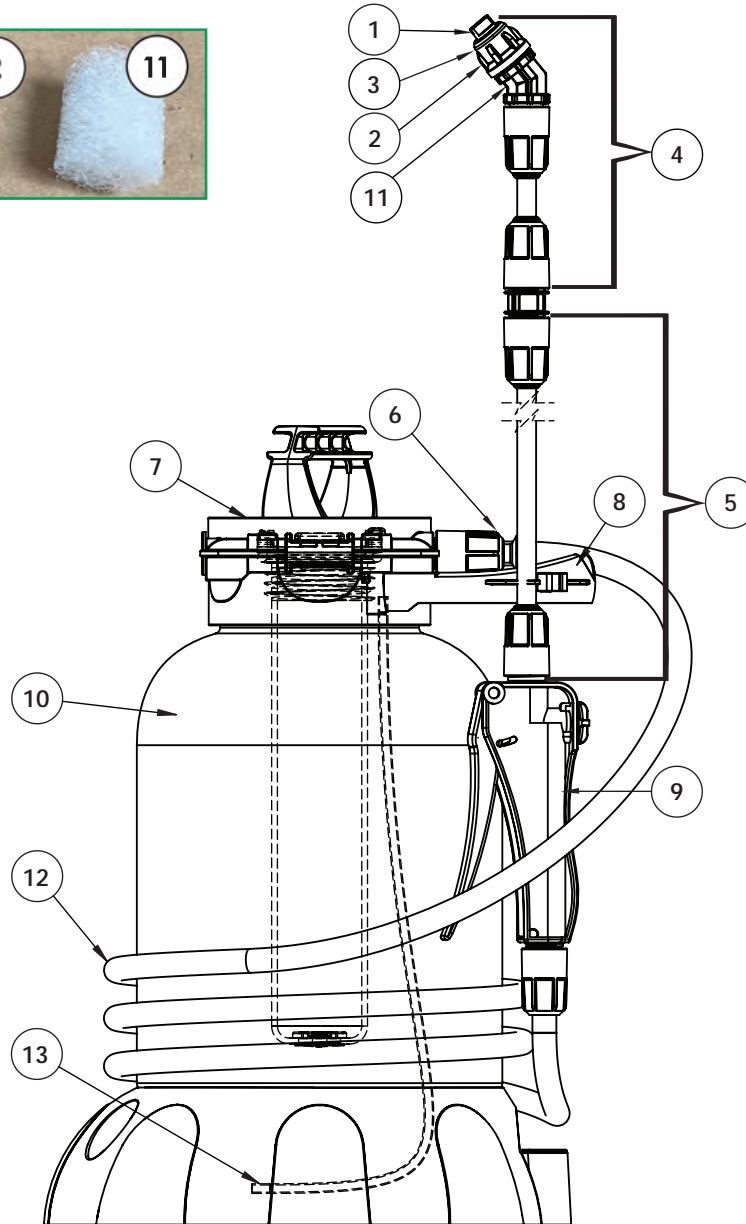
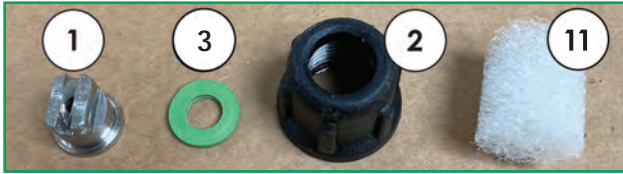


# Foamer Simpson™ 5.0

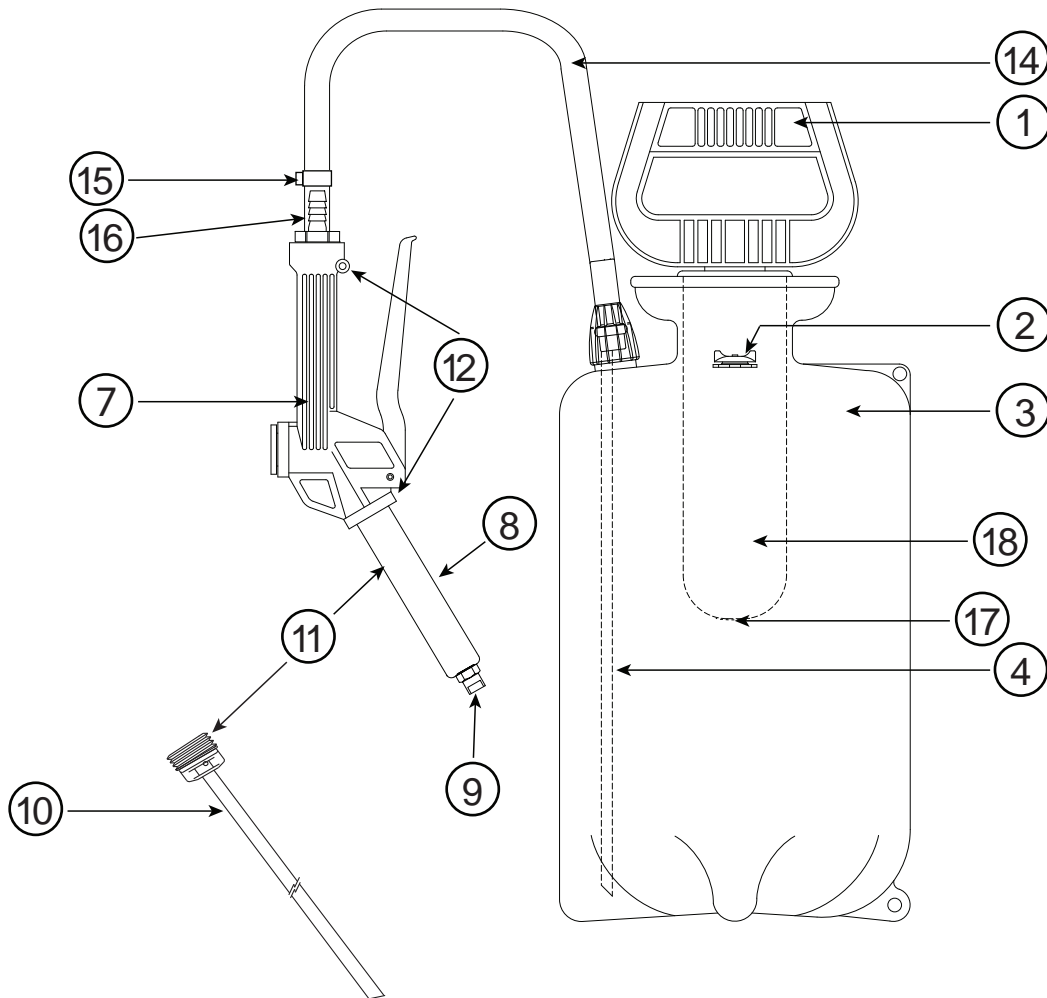
## 2020 Replacement Parts



PART CODE	PART #	PART DESCRIPTION
FSP5L01	Part 1	Stainless Steel Spray Tip
FSP5L02	Part 2	Retaining Nut For Wand Assembly
FSP5L03	Part 3	Green O-ring Under Spray Tip
FSP5L04	Part 4	2" Short Wand Assembly Including Parts 1, 2, 3, and 11
FSP5L05	Part 5	10" Long Wand Assembly with Retaining Nuts
FSP5L06	Part 6	Pressure Relief Valve
FSP5L07	Part 7	Manual Pump Assembly, Including Viton O-ring
FSP5L08	Part 8	Tank Collar With Clips
FSP5L09	Part 9	Spray Gun
FSP5L10	Part 10	5.0 Liter Tank with Stabilizing Base
FSP5L11	Part 11	Foam Insert for Wand
FSP5L12	Part 12	6.5 ft Hose Assembly With Retaining Nuts
FSP5L13	Part 13	Supply Tube For Injector

# Foamer Simpson™

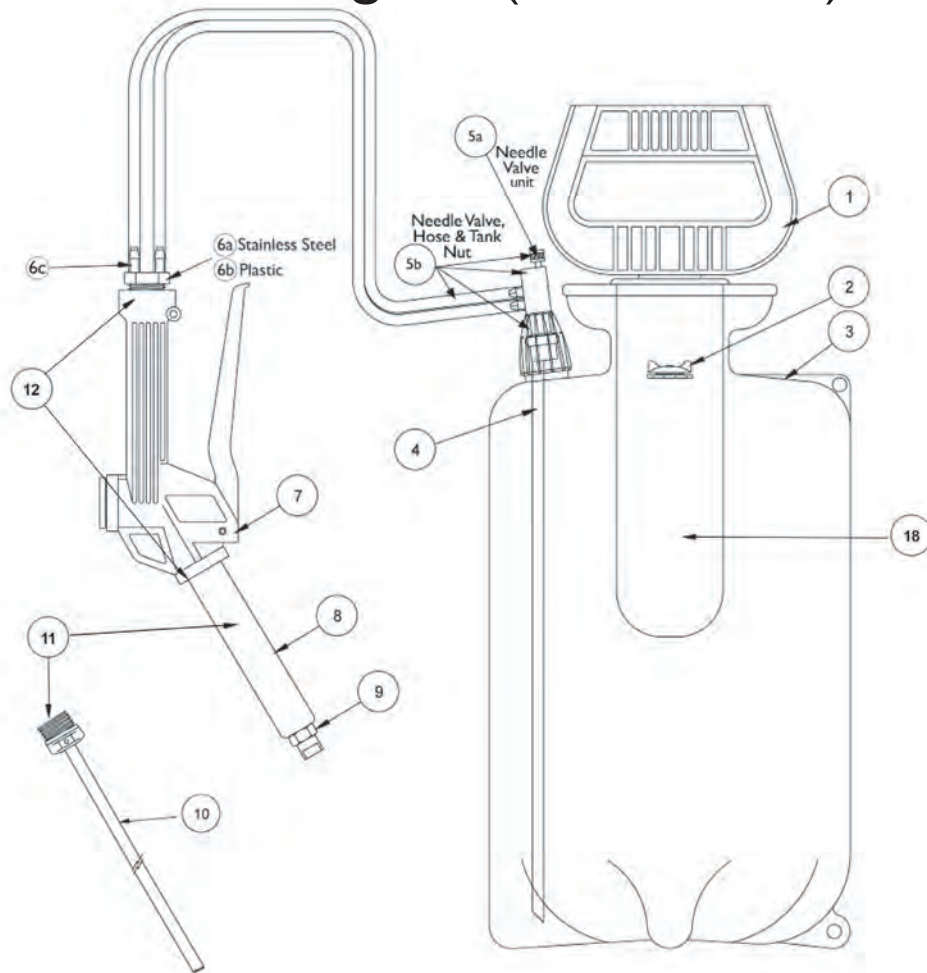
## Parts Diagram (2016 to 6/2020)



PART CODE	PART #	PART DESCRIPTION
FSPT001	Part 1	Pump assembly, incl o-ring and check valve <b>(PART NOT AVAILABLE)</b>
FSPT002	Part 2	Pressure relief valve for tank
FSPT003	Part 3	Two gallon tank w/pressure relief valve <b>(PART NOT AVAILABLE)</b>
FSPT004	Part 4	Pick-up tube
FSPT007	Part 7	Poly spray handle w/o-rings
FSPT008	Part 8	4" poly wand w/foam insert
FSPT009	Part 9	Stainless steel spray tip
FSPT010	Part 10	18" poly extension wand w/foam insert
FSPT011	Part 11	Foam insert for poly wand
FSPT012	Part 12	O-ring for poly spray gun
FSPT014	Part 14	48" Single line hose assembly
FSPT015	Part 15	Worm gear clamp
FSPT016	Part 16	1/2" x 3/8" stainless steel hose barb
FSPT017	Part 17	Check valve for pump unit
FSPT018	Part 18	O-ring for pump unit inside pump assembly, 1.44 ID x 1.76 OD

# Foamer Simpson™

## Parts Diagram (2005 Model)



PART CODE	PART #	PART DESCRIPTION
FSPT001	Part 1	Pump assembly, incl o-ring and check valve <b>(PART NOT AVAILABLE)</b>
FSPT002	Part 2	Pressure relief valve for tank
FSPT003	Part 3	Two gallon tank w/pressure relief valve <b>(PART NOT AVAILABLE)</b>
FSPT004	Part 4	Pick-up tube
FSPT05a	Part 5a	Needle valve unit only
FSPT05b	Part 5b	Needle valve assembly w/tank nut and double hose
FSPT06a	Part 6a	Double hose barb (stainless steel) w/clamps
FSPT06b	Part 6b	Double hose barb (plastic) w/clamps
FSPT06c	Part 6c	Oetiker clamp for double hose barb
FSPT007	Part 7	Poly spray gun handle w/o-rings
FSPT008	Part 8	4" poly wand w/foam insert
FSPT009	Part 9	Stainless steel spray tip
FSPT010	Part 10	18" poly extension wand w/foam insert
FSPT011	Part 11	Foam insert for poly wand
FSPT012	Part 12	O-ring for poly spray gun
FSPT018	Part 18	O-ring for pump unit 1.44 ID x 1.76 OD